



2009-11

**OFFICIAL  
RULES  
AND CASEBOOK**

OF

**ICE HOCKEY**



**THE OFFICIAL  
RULES AND  
CASEBOOK OF  
ICE HOCKEY**



Typographer: Dana Ausec

Front cover photo courtesy of USA Hockey, Inc.

Interior photography courtesy of USA Hockey, Inc.

© 2009 by USA Hockey, Inc. All rights reserved. Any dissemination, distribution, publication, or copying of rules without the express written consent of USA Hockey is strictly prohibited.

The USA Hockey, Inc. logo is a registered trademark of USA Hockey, Inc., and use in any manner is prohibited unless approval is obtained from the organization.

For more information about ice hockey and ordering more copies of the *Official Rules and Casebook of Ice Hockey*, contact:

USA Hockey, Inc.

1775 Bob Johnson Drive

Colorado Springs, CO 80906-4090

Telephone (719) 576-8724 Fax (719) 538-1160



USA Hockey is the National Governing Body  
for the sport of ice hockey in the United States.

# Contents

## **PREFACE**

Points of Emphasis .....	vii
Standard of Play and Rule Emphasis.....	ix
Philosophy of Youth Hockey .....	xiii
Codes of Conduct .....	xv
Zero Tolerance Policy .....	xxi
Note to Reader .....	xxii

## **SECTION ONE**

The Rink .....	1
Casebook.....	9

## **SECTION TWO**

Teams .....	17
Casebook.....	25

## **SECTION THREE**

Equipment .....	43
Casebook.....	56

## **SECTION FOUR**

Penalties .....	81
Casebook.....	95

## **SECTION FIVE**

Officials.....	151
Casebook.....	160

## **SECTION SIX**

Playing Rules .....	171
Casebook.....	211

## **APPENDICES**

I Summary of Penalties .....	337
II Summary of Face-Off Locations .....	345
III Official Signals.....	349
IV Official Rink Diagrams .....	361
V Standard of Play Casebook .....	365
VI Glossary .....	375
VII Rule References .....	383



# **PREFACE**

*Points of Emphasis*  
*Standard of Play and Rule Emphasis*  
*Philosophy of Youth Hockey*  
*Codes of Conduct*  
*Zero Tolerance Policy*  
*Note to Reader*





## Points of Emphasis 2009 Through 2011 Seasons

The goal of USA Hockey is to promote a safe and positive playing environment for all participants while continuing to focus on skill development and enjoyment of the sport. All officials, coaches, players, parents, spectators and volunteers are encouraged to observe these “Points of Emphasis” when participating in the sport of ice hockey.

### Fair Play and Respect

Fair play and respect are the backbone of any successful amateur sports program. In order for a positive environment to be created, it is imperative that all participants and spectators have respect for all players, coaches, officials administrators, spectators and the sport of hockey. Hockey is a game demanding high levels of concentration and skill.

**Intimidation** or “bullying” has no place in ice hockey. Any act that includes taunting or teasing of players, coaches, officials, or spectators by means of verbal ridicule, obscene gesture, threat of physical violence, or physical violence itself will not be tolerated at USA Hockey events.

**Players** are encouraged to develop a deep sense of respect for all (opponents and officials) while endeavoring to enjoy the sport and improve their playing ability. Each player is encouraged to use proper skill and technique when engaging in any type of body contact.

**Coaches** are responsible for instructing their players to play the sport in a safe and sportsmanlike manner. To that end, coaches are directed to teach only those skills necessary to allow for proper and legal body contact.

**Officials** should be diligent and confident when officiating the sport. Each official should enforce the playing rules fairly and respectfully.

**Spectators** are encouraged to support their teams while showing respect for all players, coaches, officials and other spectators.

### **Standard of Play and Rule Emphasis**

USA Hockey will continue to observe the Standard of Play and Rule Emphasis adopted in June 2006. The goal is to reduce restraining infractions in the game, allowing the skill levels of the participants to determine the outcome of a game and to increase participant enjoyment. There is no intention to remove legal body checking or body contact. A legal body check or using body contact or position to gain a competitive advantage over an opponent should not be penalized as long as it is performed within the rules.

### **Conclusion**

Hockey should be enjoyed by all participants. To that end, all participants and spectators should observe a level of personal behavior that demonstrates respect for all. The USA Hockey Officiating and Coaching Education programs will continue to increase awareness among all officials and coaches with regard to these Points of Emphasis and the Standard of Play and Rule Emphasis.

## **Standard of Play and Rule Emphasis**

Through the standard of rules enforcement, our game will continue to allow the opportunity for improved skill development and a more positive hockey environment for all participants. The mission of USA Hockey is clear; through this new initiative a greater emphasis will be placed on skating, puck possession and the proper use of the body to establish position and a competitive advantage.

The goal of the enforcement standard is to reduce restraining infractions in the game and not to remove legal body checking or body contact. A hard body check or using body contact/position (non-checking classifications) to gain a competitive advantage over the opponent should not be penalized as long as it is performed within the rules.

The principles of this enforcement standard include the following:

- The use of the stick will be limited to only playing the puck.
- The stick will not be allowed to in any way impede a player's progress.
- The use of a free hand/arm will not be allowed to grab or impede a player's progress.
- Players who use their physical skills and/or anticipation and have a positional advantage shall not lose that advantage as a result of illegal acts by the opponent.
- Players will be held accountable for acts of an intimidating or dangerous nature.

**Enforcement Standard – These penalties are to be called with very strict enforcement.**

### ***HOOKING***

A player cannot use his/her stick against an opponent's body (puck carrier or non-puck carrier) to gain a positional advantage. Examples include:

- tugs or pulls on the body, arms or hands of the opponent which allows for the space between the players to diminish

- placing the stick in front of the opponent's body and locking on – impeding the opponent's progress or causing a loss of balance.
- stick on the hand/arm that takes away the ability for the opponent to pass or shoot the puck with a normal amount of force

### **TRIPPING**

A player cannot use his/her stick on the legs or feet of an opponent in a manner that would cause a loss of balance or for them to trip or fall. Examples include:

- placing the stick in front of the opponents legs for the purpose of impeding progress, even if on the ice, with no effort to legally play the puck
- placing the stick between the legs of the opponent (can opener/corkscrew) that causes a loss of balance or impedes the progress of the opponent.

### **HOLDING**

A player cannot wrap his/her arms around an opponent or use a free hand to clutch, grab or hold the stick, jersey or body on the opponent in a manner that impedes their progress. Examples include:

- wrapping one or both arms around the opponent along the boards in a manner that pins them against the boards and prevents them from playing the puck or skating
- grabbing the opponent's body, stick or sweater with one or both hands
- using a free arm/hand to restrain or impede the opponent's progress

### **INTERFERENCE**

The use of the body ("pick" or "block") to impede the progress of an opponent (no puck possession) with no effort to maintain normal foot speed or an established skating lane. Examples include:

- intentionally playing the body of an opponent who does not have possession or possession and control of the puck.
- using the body to establish a "pick" or "block" that prevents an opponent from being able to chase a puck carrier

- reducing foot speed or changing an established skating lane for the purpose of impeding an opponent from being able to chase a puck carrier

### **Allowed Actions**

- a player is entitled to the ice he/she occupies as long as they are able to maintain their own foot speed and body position between opponent and puck
- players are allowed to compete for body position using their strength and balance in front of the goal or along the boards.

### **SLASHING**

The use of the stick will be limited to only playing the puck. Any stick contact, as a result of a slashing motion, to the hands/ arms or body of the opponent will be strictly penalized. In addition, hard slashes to the upper portion of the stick (just below the hands) of an opponent, with no attempt to legally play the puck, shall also be penalized.

### **OTHER INFRACTIONS**

In addition to the above mentioned enforcement standards, all other infractions, including contact to the head, checking from behind, cross checking, high sticking and roughing (including late avoidable check) shall be penalized to a strict enforcement standard.

Players shall body check within the rules. Any use of the hands or stick or extension of the arms to body check an opponent will be penalized as unnecessary roughness.

Any avoidable contact after the whistle shall be penalized strictly, including scrum situations around the goal. Officials are instructed to assess an additional penalty to those players acting as the aggressor or who instigates any contact after the whistle.

### **CONCLUSION**

All USA Hockey members must demonstrate awareness and support for the application, spirit and the respect of the rules in order for continued improvement in the game of hockey. At the same time, it is important to remember that:

- a player is entitled to the ice he/she occupies as long as they are able to maintain their own foot speed and body position between opponent and puck
- players are allowed to compete for body position using their strength and balance in front of the goal or along the boards

Coaches are expected to teach proper skills and hold their players accountable for illegal and dangerous actions, regardless as to whether they are properly penalized, or not.

Parents are expected to support the decisions of the officials and support the coaches in teaching the proper skills in a safe and positive environment.

Officials shall enforce a strict penalty standard according to the guidelines that have been established.

Players are expected to compete within the playing rules.

Administrators are expected to hold players, coaches, officials and parents accountable for their actions in an effort to promote a safe and positive environment for all participants.

***All members of USA Hockey share an equal responsibility to ensure the integrity of the game is upheld. The onus to incorporate change is not only on the officials, but also on administrators, coaches, parents and players, as well.***

**For Casebook situations and interpretations that are specific to USA Hockey's Standard of Play and Rules Emphasis Initiative, please refer to Appendix VI of the Officials Playing Rules Book.**

## **Philosophy of Youth Hockey**

Enjoyment and recreational benefits are the major focus of new guidelines for youth hockey issued by the Board of Directors, USA Hockey. More than 80 percent of over 35,000 registered teams play in the age classifications 18 & Under, prompting the Youth Council of USA Hockey to emphasize the educational and recreational values of ice hockey.

USA Hockey recommended guidelines for youth hockey encourage a non-competitive environment in which children and youth can learn the basic skills without the distractions that are often associated with an over-emphasis on winning. Mastery of the fundamental skills and the fun of playing are essential to the development of a lifelong interest in hockey. Programs must be conducted to accommodate the number of new players who wish to play hockey and to reduce the number who become disenchanted and drop out.

These voluntary guidelines are directed at children's programs, but they must be implemented by adults if they are to influence youth hockey programs. Coaches, officials, parents, administrators and rink operators must all do their part to ensure that the USA Hockey philosophy and the following guidelines are upheld:

### *Through Midget Age*

- Team schedules should include at least two practices for every game.
- The recommended maximum number of games per season is: (A) 15 games for Mites, (B) 20 games for Squirts, (C) 30 games for Pee Wees, (D) 35 games for Bantams, and (E) 45 games for Midgets.
- Starting times for games should be no later than:
  - Mites and Squirts – 7:00 P.M.
  - Pee Wees – 8:00 P.M.
  - Bantams – 9:00 P.M.
  - Midgets – 10:00 P.M.

Any practice time scheduled before 3:00 P.M. should be set so that the earliest times are reserved for the older age classifications.

- Scoring records should be de-emphasized at the Mite, Squirt and Pee Wee classifications.

- Awards should be inexpensive and based on significant achievements. The most gratifying award any player can receive is the joy that comes from skill development that contributes to team success.
- An opportunity to practice and play under the direction of a good coach is the primary prerequisite to skill development. Players should be given ample opportunities to develop to the limits of their potential, regardless of their abilities.
- The recruitment of players, on a wide-spread geographic basis, for the establishment of Youth Division “elite teams,” whose purpose is to win games and championships and to satisfy the personal self-interests of adults and organizations, is discouraged.
- It is recommended that adult volunteers place a primary emphasis on the formal education of players, and a de-emphasis on excessive competition and professionalism in the youth age classifications.

## **Codes of Conduct**

### **Administrator's Code of Conduct**

- Follow the rules and regulations of USA Hockey and your association to ensure that the association's philosophy and objectives are enhanced.
- Support programs that train and educate players, coaches, parents, officials and volunteers.
- Promote and publicize your programs; seek out financial support when possible.
- Communicate with parents by holding parent/player orientation meetings as well as by being available to answer questions and address problems throughout the season.
- Work to provide programs that encompass fairness to the participants and promote fair play and sportsmanship.
- Recruit volunteers, including coaches, who demonstrate qualities conducive to being role models to the youths in our sport.
- Encourage coaches and officials to attend USA Hockey clinics and advise your board members of the necessity of these training sessions.
- Make every possible attempt to provide everyone, at all skill levels, with a place to play.
- Read and be familiar with the contents of the USA Hockey Annual Guide and Official Playing Rules.
- Develop other administrators to advance to positions in your association, perhaps even your own.

### Coach's Code of Conduct

- Winning is a consideration, but not the only one, nor the most important one. You should care more about the child than winning the game. Remember, players are involved in hockey for fun and enjoyment.
- Be a positive role model to your players; display emotional maturity and be alert to the physical safety of players.
- Be generous with your praise when it is deserved; be consistent and honest; be fair and just; do not criticize players publicly; learn to be a more effective communicator and coach; don't yell at players.
- Adjust to the personal needs and problems of players; be a good listener; never verbally or physically abuse a player or official; give all players the opportunity to improve their skills, gain confidence and develop self-esteem; teach them the basics.
- Organize practices that are fun and challenging for your players. Familiarize yourself with the rules, techniques and strategies of hockey; encourage all your players to be team players.
- Maintain an open line of communication with your players' parents. Explain the goals and objectives of your association.
- Be concerned with the overall development of your players. Stress good health habits and clean living.
- To play the game is great; to love the game is greater.

**On-Ice Official's Code of Conduct**

- Act in a professional and businesslike manner at all times and take your role seriously.
- Strive to provide a safe and sportsmanlike environment in which players can properly display their hockey skills.
- Know all playing rules, their interpretations and their proper application.
- Remember that officials are teachers. Set a good example.
- Make your calls with quiet confidence, never with arrogance.
- Control games only to the extent that is necessary to provide a positive and safe experience for all participants.
- Violence should never be tolerated.
- Be fair and impartial at all times.
- Answer all reasonable questions and requests.
- Adopt a “zero tolerance” attitude toward verbal or physical abuse.
- Never use foul or vulgar language when speaking with a player, coach or parent.
- Use honesty and integrity when answering questions.
- Admit your mistakes when you make them.
- Never openly criticize a coach, player or other official.
- Keep your emotions under control.
- Use only USA Hockey–approved officiating techniques and policies.
- Maintain your health through a physical conditioning program.
- Dedicate yourself to personal improvement and maintenance of your officiating skills.
- Respect your supervisor and his/her critique of your performance.

### Parent's Code of Conduct

- Do not force your children to participate in sports, but support their desire to play their chosen sport. Children are involved in organized sports for their enjoyment. Make it fun.
- Encourage your child to play by the rules. Remember, children learn best by example, so applaud the good plays of both teams.
- Do not embarrass your child by yelling at players, coaches or officials. Showing a positive attitude toward the game and all of its participants will benefit your child.
- Emphasize skill development and practices and how they benefit your young athlete. De-emphasize games and competition in the lower age groups.
- Know and study the rules of the game, and support the officials on and off the ice. This approach will help develop and support the game. Any criticism of the officials only hurts the game.
- Applaud good efforts in both victory and defeat, and enforce the positive points of the game. Never yell or physically abuse your child after a game or practice—it is destructive. Work toward removing the physical and verbal abuse in youth sports.
- Recognize the importance of volunteer coaches. They are important to the development of your child and the sport. Communicate with them and support them.
- If you enjoy the game, learn all you can about hockey—and volunteer.

**Player's Code of Conduct**

- Play for fun.
- Work hard to improve your skills.
- Be a team player; get along with your teammates.
- Learn teamwork, sportsmanship and discipline.
- Be on time for practices and games.
- Learn the rules and play by them. Always be a good sport.
- Respect your coach, your teammates, your parents, your opponents and the officials.
- Never argue with an official's decision.

### **Spectator's Code of Conduct**

- Display good sportsmanship. Always respect players, coaches and officials.
- Act appropriately; do not taunt or disturb other fans; enjoy the game together.
- Cheer good plays made by all participants; avoid booing opponents.
- Cheer in a positive manner and encourage fair play; profanity and objectionable cheers or gestures are offensive.
- Help provide a safe and fun environment; throwing any items on the ice surface can cause injury to players or officials.
- Do not lean over or pound on the glass; the glass surrounding the ice surface is part of the playing area.
- Support the referees and coaches by trusting their judgment and integrity.
- Be responsible for your own safety; be alert in order to prevent accidents caused by flying pucks and other avoidable situations.
- Respect locker rooms as private areas for players, coaches and officials.
- Be supportive after the game—win or lose. Recognize good effort, teamwork and sportsmanship.

## **Zero Tolerance Policy**

In an effort to make ice and inline hockey more desirable and rewarding experiences for all participants, the USA Hockey Youth, Junior and Adult Councils and the InLine Section have instructed the Officiating Program to adhere to certain points of emphasis relating to sportsmanship. This campaign is designed to require all players, coaches, officials, parents/spectators and team officials and administrators to maintain a sportsmanlike and educational atmosphere before, during and after all USA Hockey-sanctioned games.

Thus, the following points of emphasis must be implemented by all Referees and Linesmen:

### **Players**

A penalty (Zero Tolerance) shall be assessed whenever a player (please refer to Rule 601 for appropriate penalty):

1. Openly disputes or argues any decision by an official.
2. Uses obscene or vulgar language at any time, including any swearing, even if it is not directed at a particular person.
3. Visually demonstrates any sign of dissatisfaction with an official's decision.

Any time that a player persists in any of these actions, additional penalties shall be assessed per the penalty progression established under Rule 601.

### **Coaches**

A minor penalty for unsportsmanlike conduct (Zero Tolerance) shall be assessed whenever a coach:

1. Openly disputes or argues any decision by an official.
2. Uses obscene or vulgar language in a boisterous manner to anyone at any time.
3. Visually displays any sign of dissatisfaction with an official's decision including standing on the boards or standing in the bench doorway with the intent of inciting the officials, players or spectators.

Any time that a coach persists in any of these actions, they shall be assessed a game misconduct penalty.

### **Officials**

Officials are required to conduct themselves in a businesslike, sportsmanlike, impartial and constructive manner at all times. The actions of an official must be above reproach. Actions such as “baiting” or inciting players or coaches are strictly prohibited.

Officials are ambassadors of the game and must always conduct themselves with this responsibility in mind.

### **Parents/Spectators**

The game will be stopped by game officials when parents/spectators displaying inappropriate and disruptive behavior interfere with other spectators or the game. The game officials will identify violators to the coaches for the purpose of removing parents/spectators from the spectator’s viewing and game area. Once removed, play will resume. Lost time will not be replaced and violators may be subject to further disciplinary action by the local governing body. This inappropriate and disruptive behavior shall include:

1. Use of obscene or vulgar language in a boisterous manner to anyone at any time.
2. Taunting of players, coaches, officials or other spectators by means of baiting, ridiculing, threat of physical violence or physical violence.
3. Throwing of any object in the spectators viewing area, players bench, penalty box or on ice surface, directed in any manner as to create a safety hazard.

### **Note to Reader**

Please note that the shaded text within this edition of the Official Rules signifies an adjustment within that particular text. Additionally, the words “he,” “him” and “his” are used to include both male and female participants.

**SECTION ONE**  
**THE RINK**





**Rule 101 Rink**

*(Note) This section of the rulebook refers to minimum and maximum guidelines for an ice hockey rink as recommended by USA Hockey. For more precise dimensions and facility requirements, please refer to the ASTM Standard Guide for Ice Hockey Playing Facilities (F 1703-04).*

- (a) The game of "Ice Hockey" shall be played on an ice surface known as a "RINK."

**Rule 102 Dimensions of Rink**

- (a) As nearly as possible, the dimensions of the rink shall be 200 feet long and 85-100 feet wide. In all ice rinks used for regional playoffs and national championships the ice surface dimensions shall be not less than 185 feet by 85 feet.

The rink shall be surrounded by a wooden or fiberglass wall or fence, known as the "BOARDS," which shall extend not less than 40 inches and not more than 48 inches above the level of the ice surface. The ideal height of the boards above the ice surface shall be 42 inches. It is recommended that the kickplate at the bottom of the boards be yellow.

The corners shall be uniformly rounded in the arc of a circle with a radius of 23 feet minimum to 28 feet maximum.

- (b) The boards shall be constructed in such a manner that the surface facing the ice shall be smooth and free of any obstruction or any object that could cause injury to players.

All doors giving access to the playing surface must swing away from the ice surface.

It is recommended that the entire rink, including players and penalty benches, be enclosed by protective safety glass, wire and/or other protective screens of sufficient height designed to separate players from spectators. All gear used to hold such protective equipment in place shall be mounted on the boards on the side away from the playing surface.

Where there is viewing above the height of the glass, it is strongly recommended that protective netting be used.

**Rule 103 Goal Posts and Nets**

- (a) Eleven feet from each end of the rink and in the center of a red line two inches wide drawn completely across the width of the ice and continuing vertically up the side of the boards, regulation goal posts and nets shall be set in such a manner as to remain stationary during the progress of a game. If applicable, the goal posts shall be anchored in such a manner as to permit a goal post to be dislodged when hit by a degree of force such as would be provided by a player sliding into or being checked into it.
- (b) The goal posts shall be of approved design and material, extending vertically four feet above the surface of the ice and set six feet apart measured from the inside of the posts. A cross bar of the same material as the goal posts shall extend from the top of one post to the top of the other. It is recommended that the goal frames do not have a metal deflector plate along the base of the back of the goal frame.
- (c) There shall be attached to each goal frame a net of approved design.
- (d) The goal posts and cross bars shall be painted in red and all other exterior surfaces shall be painted in white.
- (e) The red line, two inches wide, between the goal posts on the ice and extended completely across the rink, shall be known as the "GOAL LINE."
- (f) The Goal area, enclosed by the goal line and the base of the goal, shall be painted white.

**Rule 104 Goal Crease and Goalkeeper's Privileged Area**

- (a) In front of each goal a "GOAL CREASE" area shall be marked by a red line two inches in width.
- (b) The goal crease shall be laid out as follows: A semi-circle line six feet (6') in radius and two inches in width shall be drawn using the center of the goal line as the center point. In addition, one foot (1') outside of each goal post, a two inch (2") line shall be painted that extends to the edge of the semi-circle line. These lines shall be at right angles to the goal line

and the area inside these lines shall be painted light blue in color. On the side of the crease lines, four feet (4') from the goal line, extend a five inch (5") line into the blue area.

- (c) The goal crease area shall include all the space outlined by the semi-circular crease lines (including crease lines) and extending vertically to the level of the top of the goal frame.
- (d) The goalkeeper's "PRIVILEGED AREA" is an area bounded in the rear by the end boards, in front by an imaginary line connecting the end zone face-off spots and on the sides by imaginary lines extending perpendicular from the end boards to the end zone face-off spots. (For the goalkeeper's privileges within this area, see Rules 606(b) Note, Charging and 612(b), Falling on Puck.)
- (e) The goalkeepers may only take warm-ups in the Goalkeeper's Privileged Area extended to include the area formed by a line from each end zone face-off spot to where the goal line meets the side boards. (See Rink diagram.)

For a violation of this rule, after a warning, the offending team shall be assessed a bench minor penalty.

### **Rule 105** Division of Ice Surface

- (a) The ice area between the two goals shall be divided into three parts by lines, 12 inches in width and blue in color, drawn 64 feet out from the goal lines and extended completely across the rink, parallel with the goal lines and continued vertically up the side of the boards. The 64 feet shall be measured from the edge of the goal line closest to the end boards to the furthest edge of the blue line.
- (b) That portion of the ice surface in which the goal is situated shall be called the "DEFENDING ZONE" of the team defending that goal; the central portion shall be known as the "NEUTRAL ZONE" and the portion farthest from the defended goal as the "ATTACKING ZONE." The zone line shall be considered part of the zone that the puck is in.
- (c) There shall also be a line, 12 inches in width and red in color, drawn completely across the rink in center ice, parallel with the goal lines and continued vertically up the side of the boards, known as the "CENTER LINE." This line shall

contain at regular intervals markings of a uniform and distinctive design that will easily distinguish it from the two blue lines, the outer edges of which must be continuous.

### **Rule 106** Center Ice Spot and Circle

- (a) A circular blue spot, 12 inches in diameter, shall be marked exactly in the center of the rink; and with this spot as a center, a circle of 15 feet radius shall be marked with a blue line 2 inches in width. The width of this line shall be included in the radius.

### **Rule 107** Face-Off Spots in Neutral Zone

- (a) Two red spots two feet in diameter shall be marked on the ice in the Neutral Zone five feet from the near edge of the blue line. Within each face-off spot draw two parallel lines four inches from the top and bottom of the spot. The area within the two lines shall be painted red, the remainder shall be painted white. The spots shall each be 22 feet from the center of the ice surface.

### **Rule 108** End Zone Face-Off Spots and Circles

- (a) In both end zones and on both sides of each goal, red face-off spots and circles shall be marked on the ice. The face-off spots shall be two feet in diameter. Within each face-off spot draw two parallel lines four inches from the top and bottom of the spot. The area within the two lines shall be painted red, the remainder shall be painted white.

One foot away from the outer edges of the face-off spot, two lines shall be drawn parallel with the side boards that shall be four feet in length and 18 inches apart. Parallel to the end boards, commencing at the end of the line nearest to the face-off spot, a line shall extend 2 feet 10 inches in length. All lines shall be 2 inches in width.

The circles shall be 2 inches wide with a radius of 15 feet from the center of the face-off spots. The width of this line shall be included in the radius. On both sides of each end zone face-off circle shall be two lines 2 feet long, 2 inches wide and 3 feet apart.

- (b) The location of the face-off spots shall be fixed in the following manner: Along a line 20 feet from each goal line and parallel to it, mark two points 22 feet on both sides of the straight line joining the centers of the two goals. Each such point shall be the center of a face-off spot and circle.

### **Rule 109** Players' Bench

- (a) Each rink shall be provided with seats or benches for the use of players of both teams and the accommodations provided including benches and doors shall be uniform for both teams. Such seats or benches shall have accommodations for at least 14 persons of each team and shall be placed immediately alongside the ice, in the Neutral Zone, as near to the center of the rink as possible with doors opening in the Neutral Zone and convenient to the dressing rooms.

Each players' bench should be 24 feet in length. The players' benches should be on the same side of the playing surface opposite the penalty bench and should be separated by a substantial distance. Where physically possible, each players' bench shall have two doors in the Neutral Zone and all doors opening to the playing surface shall be constructed so that they swing away from the ice surface.

- (b) None but players in uniform and Team Officials (up to a maximum of four) shall be permitted to occupy the bench area so provided.
- (c) There shall be no use of tobacco products or alcoholic beverages on the players' bench, penalty bench, timekeeping area or on the ice by any person. A team shall be warned by the Referee for the first offense by any player or Team Official during a game and, thereafter, a bench minor penalty shall be assessed for each such offense during the game.

### **Rule 110** Penalty Bench

- (a) Each rink must be provided with benches or seats to be known as the "PENALTY BENCH." It is preferable to have separate penalty benches for each team to be separated from each other and substantially separated from either players' bench. The penalty bench(es) must be situated in the Neutral Zone.

Non-penalized players and goalkeepers are not permitted to occupy the penalty bench. For a violation of this rule, play shall not continue until removal of the offending person(s).

- (b) On the ice immediately in front of the Penalty Timekeeper's seat there shall be marked in red on the ice a semicircle of 10 feet radius and two inches in width that shall be known as the "REFEREE'S CREASE."

### **Rule 111** Signal and Timing Devices

- (a) Each rink shall be provided with a siren or other suitable sound device for the use of Timekeepers.
- (b) Each rink shall be provided with some form of electrical clock for the purpose of keeping the spectators, players and game officials accurately informed as to all time elements at all stages of the game, including the time remaining to be played in any period.

Time recording for both game time and penalty time shall show time remaining to be played or served.

- (c) Behind each goal electric lights shall be set up for the use of the Goal Judges. A red light will signal the scoring of a goal. Where automatic lights are available, a green light will signify the end of a period or a game.

*(Note) A goal cannot be scored when a green light is showing.*

The red light shall be connected to the timing device in such a manner so that when the period ends it will not be possible for the Goal Judge to turn it on. However, the fact that the Goal Judge may not be able to turn on the red light does not necessarily mean that no goal has been scored. The determining factor is whether or not the puck completely crosses the entire goal line before the period ends.

# CASEBOOK FOR THE RINK

## **RULE 101 RINK**

### → Situation 1

Can a game be played on a rink that does not adhere to USA Hockey's recommended dimensions or on an ice surface that does not adhere to the proper ice markings?

Yes. Rule Reference Section 1.

Although rinks that do not adhere to USA Hockey's recommended dimensions may not be eligible to host state, district or national tournament games, the spirit and intent of the rule is to allow the game to be played as long as the rink is in good condition and provides a safe playing environment.

## **Rule 103 Goal Posts and Nets**

### → Situation 1

During a scramble around the goal, the back end of the goal frame is accidentally lifted off the ice for a brief moment, but the goal posts remain properly positioned on the goal line. The moment the back of the goal lifts off the ice, a pass from behind the goal goes under the goal frame and directly out in front of the goal and an attacking player legally shoots the puck into the goal. Is the goal considered to be legal?

No. Rule Reference 103(a).

Even though the puck was legally propelled into the goal, the manner in which the pass was received from behind the goal was illegal. It is not necessary for the Referee to blow the whistle every time the goal frame momentarily lifts off the ice.

➔ **Situation 2**

For icing purposes, how high does the goal line extend?

Indefinitely. Rule References 103(e) and 620(a).

The goal line extends horizontally across the entire width of the rink and also extends vertically as high as the puck can travel.

---

➔ **Situation 3**

Is the two inch thickness of the red goal line considered to be a part of the goal line?

Yes. Rule Reference 103(e).

The thickness of the goal line is considered to be a part of the line. In order for a goal to be allowed or Icing to be called, the entire puck must completely cross the edge closer to the end boards.

**RULE 104 GOAL CREASE AND GOALKEEPER'S PRIVILEGED AREA****→ Situation 1**

Is the two inch red line outlining the goal crease considered to be a part of the goal crease?

Yes. Rule Reference 104(c).

The goal crease area includes the space bounded by the outside edges of the semi-circular crease lines.

**→ Situation 2**

Does the goalkeeper's Privileged Area include the area behind the goal line?

Yes. Rule Reference 104(d).

The goalkeeper's Privileged Area extends to the closer end boards.

**→ Situation 3**

How is the "goal crease" to be interpreted if playing a game in an arena with a different goal crease design?

All rulings must be made based on the USA Hockey standard crease. Rule Reference 104(c).

In many rinks the USA Hockey crease may be outlined along with other creases endorsed by different governing bodies.

In situations where the USA Hockey crease is not outlined, this may mean mentally extending the crease lines. For example, in professional hockey the semicircle is truncated a foot beyond each goal post, whereas the full semicircle would intersect the goal line three feet out from each post. The area included in the full semicircle is the USA Hockey crease and must be treated as such, even though it would not be shaded.

## **RULE 105 DIVISION OF ICE SURFACE**

### **→ Situation 1**

In which zone are the blue lines considered to be a part?

The zone in which the puck is located. Rule Reference 105(b).  
For application, see Rule 626 - Off-Side.

The blue line may be a part of the Neutral Zone and then switch to be a part of the Attacking/Defending Zone. The determining edge of the blue line is always the edge further from the zone in which the puck is located.

---

### **→ Situation 2**

In which half of the ice is the center red line located?

The zone in which the puck is located. Rule Reference 105(c).

Similar to the blue line, the determining edge of the center red line is always the edge further from the half of the ice in which the puck is located.

**RULE 109 PLAYERS' BENCH****→ Situation 1**

During the game a Team Captain advises the Referee that the opposing team has more than the allowable number of Team Officials occupying the players' bench. What action should the Referee take?

The Referee shall direct the offending team to reduce the number of Team Officials on the players' bench to a maximum of four. No penalty is assessed at that time. If the situation is not promptly corrected or occurs again during the same game, the Referee shall assess a bench minor penalty for delaying the game to the offending team. Rule References 109(b) and 609(d).

The Referee does not need a formal complaint from a team to carry out this rule.

## **RULE 110 PENALTY BENCH**

### **→ Situation 1**

In an arena that has the penalty benches located directly next to the players' benches, which penalty bench shall be designated for the home team?

The penalty bench closer to the home team's players' bench. Rule Reference 110(a).

Keeping the players of opposing teams separated as much as possible while they are off the ice decreases the risk of off-ice confrontations that could occur if a penalized player were placed in a penalty bench located adjacent to the opponent's players' bench.

---

### **→ Situation 2**

What is the purpose of the Referee's Crease?

To provide an area where On-Ice and Off-Ice Officials can converse with each other without player interference. Rule References 110(b) and 601(d.5).

According to Rule 601(d.5), a player could be assessed a misconduct penalty for entering the Referee's Crease during such a discussion. Under normal circumstances, a player would be asked to leave the crease before being assessed the misconduct penalty.

---

### **→ Situation 3**

Why are spare goalkeepers and extra players not permitted to occupy the penalty bench?

The area may be unsupervised. The officials and opposing team may inadvertently think there is a change in on-ice numerical strength and there should be a "too many players on the ice" infraction. Rule Reference 110(a).

**RULE 111 SIGNAL AND TIMING DEVICES****→ Situation 1**

The horn sounds to end a period; however, the clock shows two seconds remaining. Is the period over?

Yes. Rule Reference 111(a).

Whenever the timing device is equipped with an automatic sounding alarm that signifies the end of a period, the “sound” shall be considered the end of the period, even though the clock may show time remaining.

Conversely, if play stops with 0:00 showing on the clock but the horn has not sounded, the game shall continue until the sound occurs or until it becomes obvious that the horn is not functioning properly.

**→ Situation 2**

A goal is scored with one second remaining in the period, but the buzzer sounds to end the period before the timekeeper can stop the clock. The goal is allowed, but should the ensuing face-off take place?

No. Rule References 111(a & b).

It is not necessary for the Referee to conduct the center ice face-off. The players may use the face-off as an opportunity to start an altercation, and the sounding of the buzzer signifies the end of a period.

**→ Situation 3**

A face-off occurs with ten seconds remaining in the period. As play begins, one of the On-Ice Officials notices that the clock has not started. Should the Official stop play immediately to remedy the situation.

No. Rule Reference 111(b).

As soon as the Official notices that the clock has not started, he must begin counting down the remaining seconds in his head. If he counts down to 0:00 and the period should have ended but didn't, he must stop play to end the period.

If the Official properly counts down to 0:00 in the above situation, but does not stop the play for whatever reason, any goal that has been scored after he counts down to 0:00 shall be disallowed.



**SECTION TWO**  
**TEAMS**





## Rule 201 Composition of Teams

- (a) A team must start a game with six players on the ice. Any time that a team has been reduced to less than four players, the game shall be declared a forfeit. A maximum of 20 players, including goalkeepers, shall be permitted to play in a game.

The maximum number of players, excluding goalkeepers, shall not exceed 18.

- (b) Each team shall appoint and designate on the scoresheet a Head Coach prior to the start of the game. The Head Coach shall be in control of and responsible for the actions of all team personnel.

## Rule 202 Captain of Team

- (a) One Captain and not more than two Alternates shall be appointed by each team. In each instance, only one of these designated players shall have the privilege of discussing with the Referee any questions relating to interpretation of rules that may arise during the progress of a game. They should wear the letter "C" or "A," approximately three inches in height and in contrasting color, in a conspicuous position on the front of the sweater.
- (b) The Referee and Official Scorer shall be advised prior to the start of each game, the name of the Captain of the team and the designated Alternate(s). This information will be added to the scoresheet.
- (c) No goalkeepers shall be entitled to exercise the privileges of Captain.
- (d) Any Captain or player who comes off the bench and makes any protest or intervention with the Officials for any purpose shall be assessed a minor penalty for unsportsmanlike conduct under Rule 601(a), Abuse of Officials.

A complaint about a penalty is NOT a matter "relating to the interpretation of the rules" and a minor penalty shall be imposed against any Captain or other player making such a complaint.

**Rule 203** **Players in Uniform**

- (a) At the beginning of each game the Manager or Coach of each team shall list the players and goalkeepers who shall be eligible to play in the game. This list shall be given to the Referee or Official Scorer and no change shall be permitted in the list or addition thereto shall be permitted after commencement of the game, except as permitted under Rule 203(b).
- (b) However, if the Referee deems the omission as an inadvertent clerical error, a rostered player or goalkeeper may be added to the scoresheet during a stoppage of play after commencement of the game. The offending team shall be assessed a bench minor penalty for illegal substitution for each such addition.  
No roster deletions are permitted under this rule, and maximum roster size under Rule 201(a) shall limit the number of allowable additions.
- (c) Each team shall be allowed one goalkeeper on the ice at one time. The goalkeeper may be removed and another player substituted. Such substitute shall not be permitted the privileges of the goalkeeper.  
A goalkeeper may be substituted for by another goalkeeper during play with full goalkeeper privileges. However, once a goalkeeper has been replaced by a substitute goalkeeper, he may not return to play until the next stoppage of play. For a violation, the offending team shall be assessed a bench minor penalty for illegal substitution.
- (d) Each player and each goalkeeper listed in the lineup of each team shall wear a visible individually identifying number at least 10 inches high on the back of his sweater. Only whole numbers 0 to 99, inclusive, are permitted.  
The number may be eight inches in the Midget and Bantam classifications and six inches in height in the Squirt, Pee Wee and Mite classifications.  
All players of each team shall be dressed uniformly.
- (e) It is recommended that each team have on its bench a substitute goalkeeper who shall be fully dressed and equipped to play.

When the substitute goalkeeper enters the game he will take his position without delay and no warm-up shall be permitted, except when either team uses its Time-out under Rule 637(e).

- (f) Except when the goalkeeper(s) is/are incapacitated, no player on the playing roster in that game shall be permitted to wear the equipment of the goalkeeper. If a team's goalkeeper(s) is/are unavailable to continue, a team must immediately appoint a temporary goalkeeper (see Glossary) or place an additional skater on the ice with none of the goalkeeper's privileges.

### **Rule 204** Playing Lineup

- (a) Upon the Referee's signal prior to the start of a period and following any stoppage of play, the visiting team shall promptly place a lineup on the ice, ready for play and no substitution shall be made from that time until play has been resumed. The home team may then make any desired substitution that does not result in the delay of the game.

If there is any undue delay by either team in changing lines, the Referee shall order the offending team or teams to take their positions immediately and not permit line changes. Should the team(s) not comply, see Rule 632, Refusing to Start Play.

*(Note) When a substitution has been made under the above rule, no additional substitution may be made until play commences except when any penalty is imposed.*

### **Rule 205** Change of Players

- (a) Players may be changed at any time from the players' bench, provided that the player or players leaving the ice shall always be at the players' bench and out of the play before any change is made.

If, in the course of making a substitution, either the player entering or leaving the game deliberately plays the puck with the stick, skates or hands, or checks or makes any physical contact with an opposing player while the retiring player is actually on the ice, then a bench minor penalty for "too many players on the ice" will be called.

*(Note) If, in the course of a substitution, either the player entering the play or the player retiring is struck by the puck accidentally, the play will not be stopped and no penalty will be called.*

- (b) A goalkeeper may be changed for another player at any time under the conditions set out in this section.

*(Note) When a goalkeeper leaves his goal area and proceeds to his players' bench for the purpose of substituting another player, the rear Linesman shall be responsible to see that the substitution made is not illegal by reason of the premature departure of the substitute from the bench (before the goalkeeper is at the bench and out of play). If the substitution is made prematurely, the Linesman shall stop the play immediately by blowing his whistle unless the non-offending team has possession of the puck, in which event the stoppage will be delayed until the puck changes hands. There shall be no time penalty to the team making the premature substitution but the resulting face-off will take place on the center face-off spot. Where play has stopped with the puck in the offending team's defending half of the ice, the face-off shall take place at the point of the stoppage of play, unless otherwise covered in these rules.*

- (c) If there are less than two minutes remaining in either regulation time or anytime during overtime and a minor or bench minor penalty is imposed for deliberate illegal substitution, such as too many players on the ice or leaving the penalty bench too soon, a penalty shot/optional bench minor shall be awarded against the offending team in lieu of the minor or bench minor penalty.

*(Note) The intent of this rule is to award a penalty shot/optional bench minor only when the extra player(s) are "deliberately" put on the ice. When a substitution error is made and there are too many players on the ice, the normal bench minor penalty shall be assessed regardless of the time remaining in the game.*

- (d) A player serving a penalty on the penalty bench, who is to be changed after the penalty has been served, must proceed at once by way of the ice and be at his own players' bench before any change can be made.

- (e) During a stoppage of play a goalkeeper may not go to his players' bench without the permission of the Referee unless he is substituted for by another player or goalkeeper. When a substitution for the goalkeeper has been made under this rule, the goalkeeper shall not resume his position until the next stoppage of play, except that he shall be permitted immediate re-entry into the game when any penalty is imposed.
- (f) For a violation of this rule a bench minor penalty shall be imposed unless otherwise provided in the Playing Rules.

### **Rule 206 Injured Players**

- (a) When a player, other than a goalkeeper, is injured or compelled to leave the ice during a game, he may retire from the game and be replaced by a substitute, but play must continue without the teams leaving the ice.
- (b) If a goalkeeper sustains an injury or becomes ill he must be ready to resume play immediately or be replaced by a substitute goalkeeper. No additional time shall be allowed by the Referee for the purpose of enabling the injured or ill goalkeeper to resume his position. (See also Rule 205(e).)
- (c) The substitute goalkeeper shall be subject to the regular rules governing goalkeepers and shall be entitled to the same privileges.
- (d) If a penalized player has been injured he may proceed to the dressing room without the necessity of taking a seat on the penalty bench.

If the injured player receives a minor or major penalty, the penalized team shall place a substitute on the penalty bench immediately (unless assessed a major penalty, in which Rule 403(b) shall apply) and no replacement for the penalized player shall be permitted to enter the game except from the penalty bench, provided that should the penalized player return to the game before his penalty has expired, he shall replace the substitute player on the penalty bench during a stoppage of play.

The penalized player who has been injured and been replaced on the penalty bench shall not be eligible to play until his penalty has expired.

For a violation of this rule a bench minor penalty for illegal substitution shall be imposed.

*(Note) No substitution on the penalty bench is required under this rule for any player(s) who have been immediately substituted on the ice under Rule 402(f)-coincident minor penalties and/or Rule 403(c)-coincident major penalties.*

- (e) When a player is injured so that he cannot continue play or go to his bench, the play shall not be stopped until the injured player's team has secured possession of the puck; if the player's team is in possession of the puck at the time of injury, play shall be stopped immediately, unless his team is in a scoring position.

*(Note) In the case where it is obvious that a player has sustained a serious injury, the Referee and/or Linesman may stop the play immediately.*

- (f) A player other than a goalkeeper, whose injury appears serious enough to warrant the stoppage of play, may not participate further in the game until the completion of the ensuing face-off.
- (g) A player or goalkeeper who is obviously bleeding shall be ruled off the ice immediately if observed during a stoppage of play. If observed during play, play shall be stopped immediately and the bleeding player or goalkeeper then ruled off the ice. Said player or goalkeeper shall not be allowed to return to play until the bleeding has been stopped and the cut or abrasion covered. It is required that any affected equipment/uniform be properly decontaminated or exchanged.

Likewise, if an on-ice official is bleeding, at the next stoppage, said official shall seek treatment to stop the bleeding and cover the cut or abrasion before continuing. It is required that any affected equipment/uniform be properly decontaminated or exchanged.

# CASEBOOK FOR TEAMS

## **RULE 201** COMPOSITION OF TEAMS

### → Situation 1

A team arrives with only five players, but is willing to play the entire game short-handed. Should the game be played?

No. Rule Reference 201(a).

A team is defined as having six players. If a team cannot put six players on the ice at the start of the game or if a team is reduced to less than four players during the game, the “team” is not considered a “team” and must forfeit the game to its opponents.

### → Situation 2

During the game, through injuries and penalties, a team is unable to place four players on the ice. Can the game proceed?

No. Rule References 201(a) and 408(a).

Any time a team is reduced to below four players on the ice during a game for any reason, the game shall be forfeited. Players in the penalty bench with delayed penalties are not permitted to leave the penalty bench until their penalties expire.

A player on the penalty bench with a delayed penalty is not permitted to participate in the game (on the ice) and then enter the penalty bench at some later time when his team would be short-handed as a result of that penalty.

**RULE 202 CAPTAIN OF TEAM****→ Situation 1**

The Referee notices that a team has three players with a “C” on their uniforms during the pre-game warm-up. How many players should the Referee allow to act as Captain?

One. Rule Reference 202(a).

In this situation the Referee should look at the team’s roster to determine the Captain. If there is more than one Captain designated, the Referee must ask the Coach to appoint only one of the three players to act as the team’s Captain. The Referee must also inform the Coach that the other two players will be allowed to have Captain’s privileges, but they must be designated as Alternate Captains.

---

**→ Situation 2**

The team Captain and the Alternate Captain(s) are incapacitated by reasons of injuries or penalties and the Referee deems it necessary to convey a message to the bench. With whom shall the Referee communicate?

Any player on the ice with whom the Referee elects to converse. Rule References 202(a & b).

The Referee has the authority to select a player on the ice to convey the message to the bench.

---

**→ Situation 3**

A team refuses to designate a Captain at the beginning of the game. Should the Referee assess a penalty?

No. Rule References 202(a & b).

The Referee must, however, remind the Coach of the offending team that no player has the privilege of discussing with the Referee any matters relating to the interpretation of the rules until a Captain is appointed. The Captain does not have to wear the “C” on his sweater.

---

**→ Situation 4**

There is a question of a rule interpretation. The Referee wants to explain the rule to the Captain, but notices that the Captain and both Alternate Captains are seated on the players' bench. What should the Referee do?

If the Captain is still participating in the game (he is not removed from the game because of penalty, injury, etc.), he should be invited from the players' bench to discuss the rule with the Referee. Rule References 202(d) and 601(a).

If the Captain leaves the bench for a discussion without being invited to do so, and makes a complaint or protest, he must be assessed the minor penalty called for under this rule.

---

**→ Situation 5**

May a goalkeeper be designated as a Captain or Alternate Captain?

Yes. But the goalkeeper cannot exercise the privileges of the Captain during the game. Rule Reference 202 (a & c).

There is no rule preventing a goalkeeper from being named a Captain or Alternate Captain as an honor by the team to show leadership or other asset. However, that goalkeeper may not exercise Captain's privileges during a game, because it would otherwise delay the game if the goalkeeper was allowed to leave the goal area for any discussion, perhaps go to the bench area to relay any message, then go back to the goal area and be prepared for the resumption of play.

**RULE 203 PLAYERS IN UNIFORM****→ Situation 1**

A player is listed on the game scoresheet as “Doe #14.” It is brought to the Referee’s attention that Doe is wearing #16 and no other player is listed as #16. Should Doe be allowed to participate further in the game and without penalty to his team?

Yes. Rule References 203(a & b).

As long as the player’s name is on the scoresheet, he may participate in the game (without penalty to his team), even though his number may be listed incorrectly. The number should be changed on the scoresheet as soon as this situation arises.

Likewise, had two players on the same team been wearing each other’s jersey, they shall both be allowed to participate in the game as long as their names are listed on the scoresheet. Their numbers shall be corrected on the scoresheet as soon as the situation is noticed, without penalty.

---

**→ Situation 2**

Before the game commences, the Referee or the Official Scorer notices that a player is dressed and ready to participate in the game, but is not listed on the game scoresheet. What action is to be taken?

The Referee must notify the Coach of the offending team prior to the start of the game. Rule Reference 203(a).

The Referee has the responsibility to notify the team involved prior to the start of the game so that they may make the necessary corrections.

**→ Situation 3**

A youth classification player who is not listed on the game scoresheet arrives at the arena while the game is in progress. Can his name be added to the scoresheet, thus enabling him to play?

Yes, players may be added to the scoresheet as long as there are less than 18 players and 20 participants listed. Goalkeepers may be added as long as there are less than 20 participants listed. However, no name may be removed from the scoresheet to make room for an addition. That is, if a team's game roster shows 17 players and two goalkeepers, and two players arrive after the game begins, only one may be added. The team may not drop one of the original 19 names in order to add both late players. There is one bench minor penalty assessed for each such roster addition. Rule Reference 203(b).

**→ Situation 4**

A player has been listed on the scoresheet but is not present at the start of the game. Upon his arrival at the game, it is discovered that his name is crossed out on the scoresheet. Does this situation require a bench minor penalty in order to make the player eligible to participate?

No. Rule Reference 203(b).

If the player was eligible to play in the game, his name should not be crossed off the scoresheet just because he is not present for the start of the game. It is permissible to make some notation on the scoresheet of absent players as a reference, but crossing names out should not be done until the end of the game when it can be confirmed that the player did not participate in the game.

**→ Situation 5**

A team has 16 players listed on the game scoresheet. A player who is not listed on the scoresheet participates in the game. What action should the Referee take when it is brought to his attention?

Add the player's name to the scoresheet, and assess a bench minor penalty to the player's team. Rule Reference 203(b).

All penalties incurred and goals/assists awarded to that player shall stand. The team may not elect to send the player to the dressing room and forgo the bench minor penalty because the player has already participated in the game.

---

**→ Situation 6**

A team has two players dressed and listed as goalkeepers in addition to 17 players. In the third period, the coach decides to dress the substitute goalkeeper as a forward. The goalkeeper goes to the dressing room, changes equipment and returns to the players' bench. Is he allowed to play at any position other than goalkeeper?

Yes, as long as the scoresheet lists less than 18 players and less than 20 participants (otherwise no). Rule References 203(b & f).

Once a player has been designated as a goalkeeper, he may not arbitrarily play as a forward or defenseman. In order to do so, he must be added to the game roster (see Situation 3 under this rule), and his team will be assessed a bench minor penalty.

---

**→ Situation 7**

A team has eighteen players and two goalkeepers listed on the game scoresheet. What happens if a player who is not listed on the scoresheet participates in the game and scores a goal?

The goal shall be disallowed. Rule References 203(b), 201(a) and 625(j).

Once the matter has been brought to the attention of the Referee, he shall immediately order the player out of the game. Because he was the twenty-first player on the roster, he is deemed to be an illegal player and his addition to the roster must be deemed as an intentional attempt to add more players to the roster. This case cannot be looked upon as a "clerical" error, thus the goal must be disallowed.

**→ Situation 8**

Is a team allowed to play a game with six players and no goalkeeper?

Yes. Rule References 203(c & f).

A team may opt to play the game with six players and no goalkeeper. However, the Referee and the Coach must be aware that no player is allowed to have the privileges of the goalkeeper. If the team has no designated goalkeeper on the roster, this is the only option. A temporary goalkeeper may not be used unless he has replaced a designated goalkeeper who has participated in that game and is unable to continue playing.

**→ Situation 9**

Shall a team be allowed to participate in a game with several players who are wearing sweaters that are a different color than those of their teammates?

Yes, as long as they are not similar in style and/or color to those of the opposing team. Rule Reference 203(d).

Even though Rule 203(d) states that all players of the same team must be dressed uniformly, it is not always possible for amateur hockey teams to conform to this rule. Financial and other considerations come into play at this level. Each case must be considered individually and worked out amicably among the two teams and the Referee.

**→ Situation 10**

May players of the same team wear the numbers “01” and “1” during the same game?

Yes. Rule Reference 203(d).

While the numbers are mathematically the same, the addition of the leading zero makes “01” a distinct number that is different from “1.” The scorekeeper must enter the numbers as such on the game scoresheet prior to the game and for any event involving those players during the game.

**RULE 204 PLAYING LINE-UP****→ Situation 1**

Is it possible for a team to start a game with six players, none of whom is a designated goalkeeper?

Yes. Rule Reference 204(a).

The six players shall be listed as such on the playing roster and the Referee shall notify the opposing team of the situation.

---

**→ Situation 2**

Immediately following a stoppage of play, the home team makes a player change. The visiting team then also makes a player change. Should the visiting team be allowed to make that change AFTER the home team?

Yes, provided that all changes are made immediately. Rule Reference 204(a).

By making an immediate change, the home team cannot deny the visiting team the opportunity to change its players during a stoppage.

---

**→ Situation 3**

Immediately following a stoppage of play, the home team makes a five player "line change," following which the visiting team also makes a five player change. The Coach of the home team then decides that he wants to put a different line on the ice to counter the change made by the visiting team. Should the Referee permit the home team to make this "last change?"

No. Rule References 204(a) and 611(e).

The home team may elect to wait until the visiting team has changed lines before making its own change of players, therefore giving the home team the "last change" privilege. But, if the home team makes a decision to change all five players on the ice and does so before the visiting team has had a reasonable amount of time to make a change, no further line change may be made by the home team.

All changes by either team must be made promptly. Once both teams are lined up and ready for a face-off, neither team shall be permitted to change players other than as provided in Rule 611(e), Face-Offs.

**→ Situation 4**

Immediately following a stoppage of play, the home team makes a two player “line change” following which the visiting team makes a five player change. The Coach of the home team then decides that he wants to change the other three players on the ice to counter the change made by the visiting team. Should the Referee permit the home team to make this “last change?”

No. Rule Reference 204(a).

The home team may elect to wait until the visiting team has changed lines before making its own change of players, therefore giving the home team the “last change” privilege. But, if the home team makes a decision to change any players on the ice and does so before the visiting team has had a reasonable amount of time to make a change, this constitutes a line change and no further line change may be made by the home team.

**→ Situation 5**

What constitutes a “line change?”

The change of one or more players. Rule Reference 204(a).

If a team changes as few as one player, that change shall be considered a “line change.”

**→ Situation 6**

During a stoppage of play, both teams change players. Immediately after the start of the play, one of the On-Ice Officials notices that one of the teams has too many players on the ice and stops play. Should the Referee assess a bench minor penalty?

No. Rule Reference 204(a).

It is the responsibility of the On-Ice Officials to see that each team has the correct number of players on the ice before the puck is dropped. In this case, play must be stopped the moment the Officials become aware of the fact that there are too many players on the ice.

**RULE 205 CHANGE OF PLAYERS****→ Situation 1**

Are all players, including the goalkeepers, bound by the “at the bench” criterion when they are substituted for by another player?

Yes. Rule Reference 205(a) Note.

On any player change, the retiring player or players, including goalkeepers, must be at the bench and out of the play.

When, in the course of making a substitution, either the player entering or retiring from the game deliberately plays the puck in any manner or checks or makes any physical contact with an opponent while both players are on the ice, the infraction of “too many players on the ice” shall be called.

---

**→ Situation 2**

In the course of making a substitution, while play is in progress, the player entering the game is accidentally struck by the puck while the retiring player is still on the ice. Has an infraction of the rules occurred?

No. Rule Reference 205(a) Note.

If the puck accidentally strikes either player in the process of a change, play must continue without a penalty, provided that the player who was struck by the puck makes no attempt to play the puck until the player change is complete.

---

**→ Situation 3**

The Team A goalkeeper skates towards his players’ bench during play (non-penalty situation). While he is approximately 30 feet away from the bench, a teammate enters the play as a substitute for the goalkeeper. While the opposing team has possession and control of the puck (the goalkeeper is still moving toward the bench and his replacement is now involved in the play) the goalkeeper turns and skates back toward his goal to defend against an opposing shot on goal. Does this infraction of the rules constitute “premature substitution” or “too many players on the ice?”

Too many players on the ice. Rule References 205(a & b) and Note.

Once the substituting player enters the ice, the goalkeeper is considered to be substituted for. If the goalkeeper participates in play while this condition exists, a penalty for “too many players on the ice” shall be assessed to the offending team.

---

➔ **Situation 4**

During play, a goalkeeper is replaced on the ice by another goalkeeper. When is the original goalkeeper permitted to re-enter the game?

At the next stoppage of play. Rule Reference 203(c).

A goalkeeper may change on the fly during play with another goalkeeper, but the original goalkeeper cannot re-enter the game until the next stoppage of play.

---

➔ **Situation 5**

During a stoppage of play, a goalkeeper is replaced on the ice by either another goalkeeper or a player. When is the original goalkeeper permitted to re-enter the game?

At the next stoppage of play. Rule Reference 205(e).

A goalkeeper may be replaced on the ice by another goalkeeper or player during a stoppage of play, but the original goalkeeper cannot re-enter the game until the next stoppage of play except when any penalty is imposed.

---

➔ **Situation 6**

Team A, losing late in the game, substitutes its goalkeeper for an extra attacker. Before the change is completed, Team B gains possession of the puck and carries it into Team A's Defending Zone. The substitute player for the goalkeeper goes onto the ice before the goalkeeper is at the players' bench and out of play (noted by the back Linesman). A Team A player gains possession of the puck behind his own goal and the whistle stops play. Are any penalties to be assessed and where is the ensuing face-off to take place?

No penalties are to be assessed, as this is a “premature substitution for the goalkeeper” violation. The ensuing face-off

must take place at the nearest end zone face-off spot. Rule Reference 205(b) Note.

No penalty is assessed for premature substitution of the goalkeeper. Normally, the puck will be in the offending team's attacking half of the ice when premature substitution occurs, in which case the ensuing face-off will take place at center ice. If the puck is in the offending team's defending half of the ice, as in this situation, the ensuing face-off will become a last play face-off.

---

➔ **Situation 7**

The goalkeeper is being replaced by a player, but his replacement plays the puck while the goalkeeper is twenty feet away from his players' bench. Is this a "too many players on the ice" violation or "premature substitution" for the goalkeeper?

This is a "premature substitution" for the goalkeeper violation. Rule Reference 205(b) Note.

Had the goalkeeper been at the players' bench and out of play, his substitute would be considered to be legally on the ice and eligible to play the puck.

---

➔ **Situation 8**

Who determines the intent of the act and therefore the possible application of a penalty shot when a Linesman calls "too many players on the ice" (substitution for the goalkeeper not involved) with less than two minutes remaining in regulation time or any time during overtime?

The Referee. Rule Reference 205(c).

The key word in this rule is "intent." For example, a coach whose team is winning late in the game with two players already on the penalty bench, serving minor or major penalties, could deliberately put extra players on the ice and thereby neutralize the opponent's power play. Prior to this rule, when play was stopped the Referee could only assess a bench minor penalty, which obviously couldn't hurt the penalized team as they were already short-handed by two players. This tactic could then be repeated until the game

ended and the Referee could do nothing to curtail it. Thus the penalty shot rule was adopted.

---

→ **Situation 9**

If a player on the penalty bench remains there after the expiration of his penalty (while his team is entitled to return to full strength), may his team place another skater on the ice as long as the originally penalized player remains on the penalty bench?

No. Rule Reference 205(d).

A team may replace the penalized player only after he has left the penalty bench by way of the ice and returned to his players' bench. If he elects to remain on the penalty bench, either by intent or error, the team must continue to skate short-handed until the player returns to the ice. For a violation of this rule, a bench minor penalty must be assessed to the offending team.

---

→ **Situation 10**

With less than a minute to play in a close game, a team's regular goalkeeper is injured during a scramble in front of his goal. He is replaced by the substitute goalkeeper and play resumes. Before the next stoppage occurs, the substitute goalkeeper is replaced by an additional attacking player. Should the Referee permit this substitution to go unpenalized?

Yes. Rule References 205(b & e) and 206(b).

There is no rule to preclude a "player" from replacing the substitute goalkeeper during play.

---

→ **Situation 11**

The play is stopped due to the injury of a goalkeeper. After recovering quickly, he skates to his players' bench to wipe his face with a towel. Is this action permissible or must he be replaced?

The goalkeeper must be replaced or a bench minor penalty assessed. Rule References 205(e & f) and 206(b).

Any time that a goalkeeper goes to his players' bench during a stoppage of play, he must be replaced or penalized.

**RULE 206 INJURED PLAYERS****→ Situation 1**

A team has only one goalkeeper and he is injured during the course of the game and unable to continue. May any player take up the goalkeeper's position?

Yes. Rule References 206(b & c), 203(c & e) and Glossary.

In all games all teams are requested to have a substitute goalkeeper dressed and ready to play at the beginning of the game. In the case of a team having only one goalkeeper dressed and he becomes unable to play for any reason, the team must resume play immediately.

The team may elect:

- 1) To play the remainder of the game using an extra "player," thereby having six players on the ice, none of whom are designated as a goalkeeper with goalkeeper's privileges and restrictions.
- 2) To delay the game momentarily while a "temporary" goalkeeper acquires the chest protector, gloves and stick of the goalkeeper. He shall have all goalkeeper's privileges and restrictions. He may return to his normal position if a substitute goalkeeper becomes designated or if the original goalkeeper returns. The "temporary" goalkeeper must remain the temporary goalkeeper until a substitute becomes available, the original goalkeeper returns or he is required to leave the ice due to a penalty or injury.
- 3) To continue playing under 1 or 2 while another player goes to the dressing room to change into complete goalkeeper's equipment. That player may then be designated as the substitute goalkeeper.

**→ Situation 2**

In a Squirt (10 & under) game a player is hit by the puck in the neck area and falls to the ice. When should the play be stopped?

Play should always be stopped the instant any of the On-Ice Officials believes the injury to be serious or when the injured player's team gains possession of the puck in a non-scoring position. Rule Reference 206(e).

In the Three Official system, this call is normally left up to the Referee to stop play for an injury and, in most cases, he will. However, if what appears to a Linesman to be a "serious" injury occurs, he has the authority to stop play immediately.

In the relatively common event of a player getting hit by the puck on the ankle or leg, it is generally assumed that the injury is not "serious" and play shall continue until the injured player's team gains possession and control of the puck in a non-scoring position. Injuries to other parts of the body can present a more difficult situation and if an error in judgment is to be made, it should be on the over-cautious side.

If, after play has been stopped immediately due to a "serious" injury, the injured player recovers almost immediately, an official should not shy away from showing the same concern the next time there is any doubt as to the seriousness of an injury.

As an official gains experience he will become better able to make accurate judgments regarding common injuries and, as a result, be better able to detect a player who fakes an injury to obtain a stoppage of play. Until that experience has been gained, officials are advised to make their judgments based on an overly-cautious approach and treat each injury as serious, unless the official has clearly seen the injury occur and is completely satisfied that the player needs no immediate attention.

**→ Situation 3**

Play has been stopped due to an injured player. The player recovers quickly, but refuses to leave the ice. What penalty, if any, shall be assessed?

A bench minor penalty for delaying the game shall be assessed to the offending team. Rule References 206(f) and 609(d).

The Referee shall allow ample time for the player to be treated. Once the injured player has been treated, he must proceed to his players' bench immediately after being told to do so, by the Referee.

---

**→ Situation 4**

The Referee stops play for an apparent injury to a player. If the player is not injured, must he leave the ice?

Yes. Rule Reference 206(f).

When the Referee stops play because he believes an injury requires him to do so, but there ends up being no injury, the ruling still applies. Even though the Referee may have been overly cautious in stopping play, the injured player must leave the ice.

---

**→ Situation 5**

The Referee stops play due to an injured player. The injured player recovers quickly, does not leave the ice as required by the rules and scores a goal. The opposing team appeals to the Referee that the player who scored the goal did not leave the ice after his injury. What action should be taken by the Referee?

The Referee must allow the goal and assess no penalty. Rule Reference 206(f).

The onus of making sure that an injured player leaves the ice after play has been stopped due to his injury is with the On-Ice Officials. The offending team/player cannot be penalized for failure to comply with a rule that the Referee did not enforce.

**→ Situation 6**

May a Team Official go onto the ice to attend to an injured goalkeeper without the goalkeeper having to leave the ice and be replaced by a substitute, temporary goalkeeper or another player.

Yes. Rule Reference 206(f).

The Team Official should not go onto the ice until he receives permission (usually by means of a hand signal) from the Referee. Note that a Team Official is not permitted on the players' bench unless registered as a Coach. The goalkeeper shall be allowed only minimal time to recover. If more time is needed for the goalkeeper to fully recover, he should be sent to his players' bench or dressing room. The game would then continue with a substitute, temporary goalkeeper or another player.

**→ Situation 7**

The Referee observes a player who has a significant amount of blood on his uniform. Is the Referee obligated to stop play immediately?

Yes. Rule Reference 206(g).

That player must be instructed to either decontaminate his uniform or change it. Note that blood on the uniform does not necessarily have to be the blood of the player wearing that uniform.



**SECTION THREE**  
**EQUIPMENT**





**Rule 301 Sticks**

- (a) The sticks shall be made of wood or other material approved by the Rules Committee, and must not have any projections. Adhesive tape of any color may be wrapped around the stick at any place for the purpose of reinforcement or to improve control of the puck.
- (b) No stick shall exceed 63 inches in length from the heel to the end of the shaft. The widened portion of the goalkeeper's stick extending up the shaft from the blade shall not extend more than 26 inches from the heel and shall not exceed  $3\frac{1}{2}$  inches in width.

The blade of a player's stick shall not exceed  $12\frac{1}{2}$  inches from the heel to the end of the blade, nor shall the blade be more than 3 inches in width at any point nor less than 2 inches in width.

The blade of the goalkeeper's stick shall not be less than 2 inches in width at any point nor shall the blade exceed  $3\frac{1}{2}$  inches in width at any point except at the heel, where it must not exceed  $4\frac{1}{2}$  inches in width, nor shall the goalkeeper's stick exceed  $15\frac{1}{2}$  inches in length from the heel to the end of the blade.

All edges of the blade shall be beveled. The end of a hollow shaft must be fully covered.

The curvature of the blade of the stick shall be restricted in such a way that the distance of a perpendicular line measured from a straight line drawn from the base of the heel to the base of the toe to the point of maximum curvature shall not exceed  $\frac{3}{4}$  inch.

- (c) A minor penalty for an equipment violation shall be imposed on any player or goalkeeper who uses a stick not conforming to the provisions of this rule.

*(Note 1) When a formal complaint is made by the Captain of a team against the dimensions of any stick, the Referee shall make the necessary measurement immediately.*

*If the complaint is not sustained, a bench minor penalty for delay of game shall be imposed on the team requesting the measurement.*

*(Note 2) A player who participates in the play while carrying a stick to his goalkeeper shall incur a minor penalty for an equipment violation.*

*(Note 3) If a goal is scored with an illegal stick, the proper penalty shall be assessed and the goal shall be allowed.*

- (d) A minor for unsportsmanlike conduct plus a misconduct penalty shall be imposed on any player who refuses to surrender his stick for measurement when requested to do so by the Referee.
- (e) A minor penalty for an equipment violation shall be assessed to a player or goalkeeper who participates in the play while he is in possession of more than one stick, except that no penalty shall be assessed to a player who is accidentally struck by the puck while he is carrying a replacement stick to a teammate.

### **Rule 302 Skates**

- (a) All players and On-Ice Officials must wear hockey skates of a design approved by the Rules Committee. All skates worn by players (but not goalkeepers) and by the On-Ice Officials shall be equipped with approved safety heel tips, if so designed.

When the Referee becomes aware that any player is wearing skates on which the protective heel tip is missing or broken, if so designed, he shall order that player off the ice immediately and such player shall not be permitted to participate further in the game until the heel tip has been replaced.

It is recommended that all players (except goalkeepers) and On-Ice Officials wear skates with blades that have been approved by HECC.

- (b) The use of speed skates, figure skates or any skate so designed that it may cause injury is prohibited.
- (c) No additional equipment or contrivance shall be attached to the skates of any player or goalkeeper.

**Rule 303 Goalkeeper's Equipment**

- (a) With the exception of skates and stick, all the equipment worn by the goalkeeper must be constructed solely for the purpose of protecting the head or body, and he must not wear any garment or use any contrivance that would give him undue assistance in keeping goal.

*(Note) Cages on gloves and abdominal aprons extending down the front of the thighs on the outside of the pants are prohibited. "Cage" shall mean any lacing or webbing or other material in the goalkeeper's glove joining the thumb and index finger that is in excess of the minimum necessary to fill the gap when the goalkeeper's thumb and forefinger in the glove are fully extended and spread and includes any pocket or pouch effect produced by excess lacing or webbing or other material between the thumb and forefinger when fully extended or spread.*

*Protective padding attached to the back or forming part of goalkeeper's blocker glove shall not exceed 8 inches in width nor more than 15 inches in length at any point. The cuff of the goalkeeper's catching glove shall not exceed 8 inches in width nor should the circumference of the glove exceed 45 inches. The distance from the heel of the glove along the pocket and following the contour of the glove to the top of the "T" trap must not exceed 18 inches. The heel is considered to be the point at which the straight vertical line of the cuff meets the glove. Any bar or attachment (cheater bar) between the cuff and the thumb shall only extend from the cuff to the thumb in a straight line. Any other pocket, pouch or contrivance added to the glove by a manufacturer or otherwise is not acceptable and makes the glove illegal.*

- (b) The leg guards worn by goalkeepers shall not exceed 11 inches in extreme width and 38 inches in length as measured when on the leg of the player. The boot channel of the goalkeeper pad must be flat or concave in appearance with no additional attachments such as a puck foil. The boot is the bottom of the pad that sits over the top of the skate.
- Calf protectors must follow the contour of the calf and ankle and can have a thickness of no greater than 1½ inches

The knee strap pad is not to exceed 1½ inches in thickness and must be fastened to the inner risers and follow the contour of the inner knee.

All outer knee protection must be worn under the thigh guard of the pant or follow the contour of the leg.

- (c) No raised ridges are allowed on the front edges or sides of the chest pad, the inside or outside of the arms, or across the shoulders.

Layering at the elbow is permitted to add protection but not to add stopping area. This layering, both across the front and down the sides to protect the point of the elbow shall not exceed 7 inches.

Shoulder cap protectors must follow the contour of the shoulder cap without becoming a projection/extension beyond or above the shoulder or shoulder cap. This contoured padding must not be more than 1 inch in thickness beyond the top ridge of the shoulder and shoulder cap.

On each side, the shoulder clavicle protectors are not to exceed 7 inches in width and their maximum thickness is to be 1 inch. This protection is not to extend or project above or beyond the shoulder or shoulder cap nor extend beyond the armpit. No insert is allowed between the shoulder clavicle protector and the chest pad that would elevate the shoulder clavicle protector.

If when the goalkeeper assumes the normal crouch position, the shoulder and/or shoulder cap protection is pushed above the contour of the shoulder, the chest pad will be considered illegal.

- (d) No internal or external or cheater padding is permitted on the pant leg or waist beyond that which is required to provide protection (no outside or inside ridges).

All thigh pads must follow the contour of the leg and the maximum width of the thigh pad across the front of the leg is 10 inches.

- (e) It is compulsory for all goalkeepers to wear helmets and full facemasks. Hanging throat/neck laceration protectors are recommended. No form fitted facemasks shall be permitted.

- (f) A minor penalty for an equipment violation shall be imposed on any goalkeeper using illegal equipment in a game. Any required measurement or other examination shall be conducted immediately.

## **Rule 304 Protective Equipment**

*(Note) Although some protective equipment is not mandatory in all age classifications, USA Hockey strongly recommends that all players and goalkeepers in all age classifications properly wear an internal mouthpiece, a HECC approved helmet and a HECC approved full facemask for all games and practices.*

- (a) Each participant is personally responsible to wear protective equipment for all games, warm-ups and practices. Such equipment should include gloves, shin pads, shoulder pads, elbow pads, hip pads or padded hockey pants, protective cup, tendon pads plus all head protective equipment as required by USA Hockey rules. It is recommended that all protective equipment be designed specifically for ice hockey.

All protective equipment, except gloves, padded hockey pants, helmet/facemask and goalkeeper's leg guards, must be worn under the uniform.

For violation of this rule after a warning by the Referee a minor penalty for an equipment violation shall be imposed.

*(Note) Players, including goalkeepers, violating this rule shall not be permitted to participate in the game until such equipment has been corrected or removed.*

In all classifications, if the goalkeeper's helmet/facemask comes off during play, the Referee or Linesman shall stop play immediately.

In all classifications excluding Adults, if a player's helmet/facemask comes off during play, the Referee or Linesman shall stop play immediately. The player shall be ruled off the ice and may not participate in the game until completion of the ensuing face-off.

A minor penalty for delay of game shall be assessed to a goalkeeper or player who causes a stoppage of play by deliberately removing his helmet/facemask during play.

In Adult classifications a player, excluding the goalkeeper, whose helmet/facemask has come off his head during play may not resume play until his helmet/facemask has been properly replaced. A player not conforming to this rule shall be assessed a minor penalty for an equipment violation.

- (b) It is compulsory for all players in all classifications to wear a hockey helmet, with helmet strap properly fastened. (See Rule 304(d) Note.)

It is mandatory that all players wear a HECC approved helmet (including ear protection) with the following exception:

Players in the Adult age classification must wear a hockey helmet (HECC approved or not) with helmet strap properly fastened.

All players on the players' and the penalty bench must wear the protective helmet/facemask while in the bench area. For a violation of this rule, after a warning by the Referee, a misconduct penalty for an equipment violation shall be assessed to the offending player.

- (c) All players, including goalkeepers, in the Pee Wee through Midget (including High School) and in the Girls/Women 12 & under through 19 & under age classifications are required to wear a colored (non-clear) internal mouthpiece that covers all the remaining teeth of one jaw, customarily the upper.

For the first violation of this rule, the team shall be issued a warning. A misconduct penalty for an equipment violation shall be assessed to any player or goalkeeper of that team for a subsequent violation during that game.

It is strongly recommended, in all classifications, that all players wear a mouthpiece form fitted by a dentist.

- (d) All players, including goalkeepers, in all age classifications below Adults, are required to wear a facemask certified by HECC, plus any chin protection that accompanies the facemask.

*(Note) Any helmet or facemask that is altered except as permitted in Rule 304(b) shall be deemed to be illegal equipment and shall not be allowed to be used in a game. (This shall include helmets from which a part has been cut*

*or removed, facemasks from which the chin-cup has been removed or any other such alterations from the original manufacturing specifications.)*

- (e) All players must wear the required, or recommended, protective equipment in the manner for which it is designed. For violation of this rule, following a team warning, a misconduct penalty for an equipment violation shall be imposed.

### **Rule 305 Dangerous Equipment**

- (a) The use of pads or protectors made of metal, or of any other material likely to cause injury to a player, is prohibited.  
The wearing of casts or splints made of hard or unyielding materials is prohibited, even if padded, unless directed in writing by a licensed medical physician. Such casts or splints must be covered on all exterior surfaces with no less than ½-inch thick, high-density, closed-cell polyurethane or an alternate material of the same minimum thickness and similar physical properties to protect an injury.
- (b) A glove from which all or part of the palm has been removed or cut to permit the use of the bare hand shall be considered illegal equipment. A misconduct penalty shall be imposed on any player wearing such a glove in play.
- (c) Except for Adults, no player or goalkeeper shall be permitted on the ice while wearing jewelry unless it is completely covered by equipment or taped to the body.

### **Rule 306 Puck**

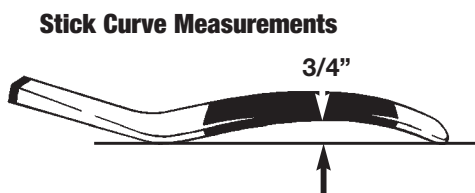
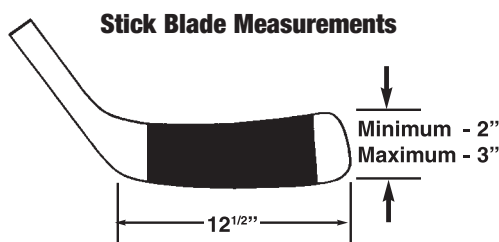
- (a) The puck shall be made of vulcanized rubber or other approved material, one inch thick and three inches in diameter and shall weigh between five and one-half ounces and six ounces and be black in color.
- (b) For the 8 & under (Youth) and for the 8 & under (Girls) and below age classifications, it is required that the puck weigh between four ounces and four and one-half ounces and be blue in color. It is strongly recommended that the 10 & under (Youth) and the 10 & under (Girls) age classifications use the lightweight blue puck.

**Rule 307 Equipment Measurement**

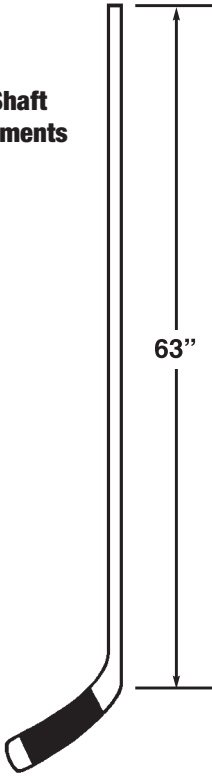
- (a) A request for measurement of any equipment covered by this section shall be limited to one request by each team during the course of any stoppage of play.
- (b) The Referee may, at his own discretion, measure any equipment, other than a stick, used for the first time in the game.
- (c) The Referee shall assess a bench minor penalty for delay of game against a team that requests any measurement (excluding mouthpiece) if the measurement verifies that the equipment is legal.

**Rule 308 Electronic Devices**

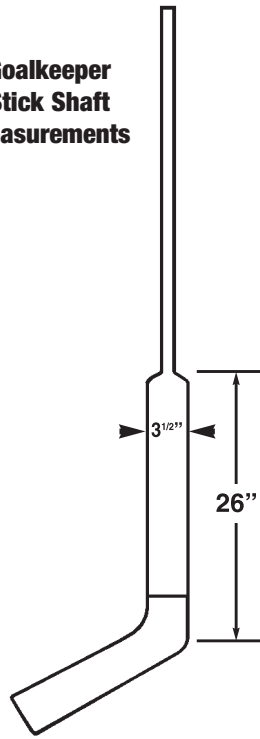
- (a) The use of one or two-way radios, lights or other electronic devices as a means for Team Officials or spectators to communicate with players or goalkeepers shall be prohibited. For violation, the device will be removed and the team assessed a bench minor penalty for an equipment violation.



**Stick Shaft Measurements**

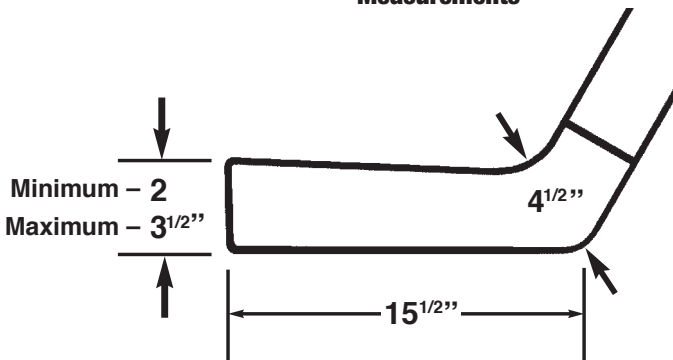


**Goalkeeper Stick Shaft Measurements**

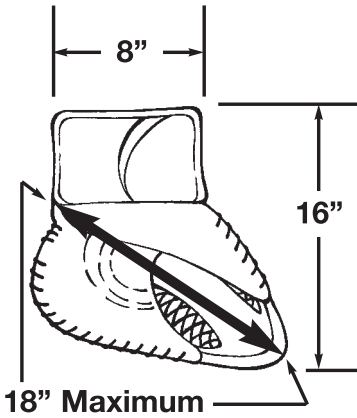


Equipment

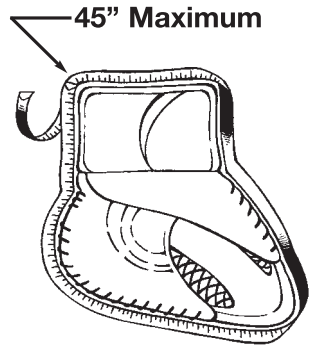
**Goalkeeper Stick Blade Measurements**



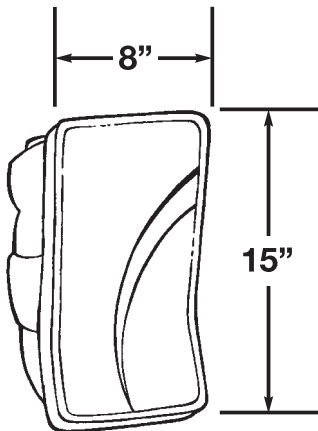
**Goalkeeper Cuff and T-Trap Measurements**



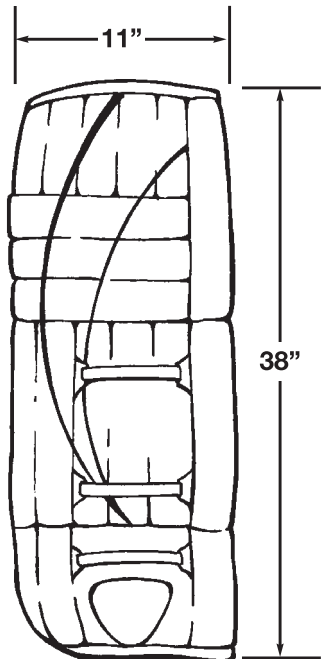
**Goalkeeper Catching Glove Circumference**



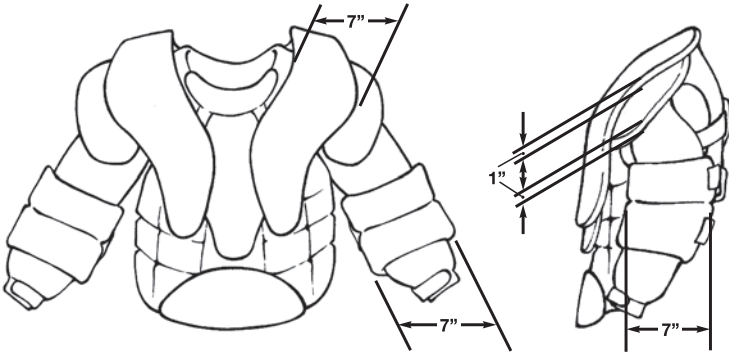
**Goalkeeper Blocker Measurements**



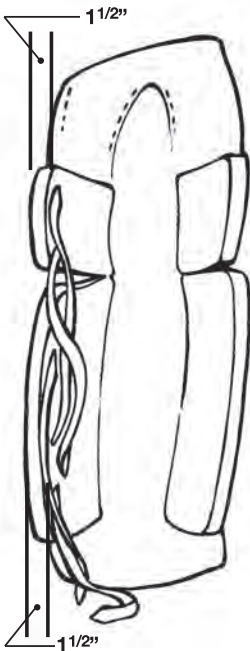
**Goalkeeper Leg Pad Measurements**



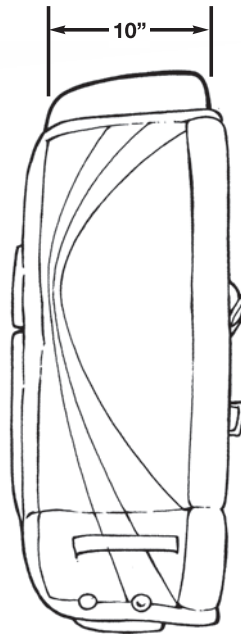
**Chest/Shoulder Protection  
Width/Thickness  
Front and Side Views**



**Goalkeeper Knee/Calf  
Protection Thickness**



**Goalkeeper Thigh  
Plate Width**



# CASEBOOK FOR EQUIPMENT

## **RULE 301 STICKS**

---

### → Situation 1

If a request is made to measure a player's stick, may the player remove any tape from the stick, if used, prior to the measurement?

No. Rule References 301(a & e).

While the rules allow tape to be used on the stick, the tape becomes a part of the stick when it is used and must not be removed prior to a stick measurement. If the tape increases the width or the curvature of the blade to illegal proportions, the stick is considered to be illegal even though the bare stick may conform to the rules.

If a player intentionally removes any tape prior to the measurement, he must be given a minor and a misconduct penalty, the same as if he had refused to surrender the stick for measurement purposes.

---

### → Situation 2

A goalkeeper has wrapped tape around the end of the shaft on his stick forming a "knob." The knob is not on the end of the stick, but located 5-6 inches lower than the butt end. Is this stick considered to be dangerous equipment?

No. Rule References 301(a) and 305.

The knob does not have to be at the end of the stick. Rule 301(a) provides that adhesive tape may be wrapped around the stick at any place to improve control of the puck.

**→ Situation 3**

What should the Referee do with a stick that has been measured and found to be illegal?

If the stick is found to be illegal, it must be removed from the game immediately and given to an Off-Ice Official. The stick must be released to the player after the game. Rule Reference 301(a).

The stick must not be given back to the player during the game if it is illegal in any way.

**→ Situation 4**

A player uses an aluminum shafted stick without the wooden insertion plug on the top. Shall the Referee allow a player to play with such a stick?

No, the stick shall be replaced immediately. Rule Reference 301(a). See also Rule 305.

The player must have the wooden plug inserted or have a sufficient amount of tape covering the exposed metal end of the shaft to prevent injury.

**→ Situation 5**

Can a player participate in the play with a stick that has a curved or bent shaft?

Yes. Rule Reference 301(b).

As long as the total length of the shaft does not exceed 63 inches, the stick shall be considered to be legal.

**→ Situation 6**

The Captain asks for a stick measurement of the curve of an opponent's stick. The curve measured  $\frac{1}{2}$  inch at the bottom and 1 inch at the top. Is the stick curvature illegal?

No. The stick curvature is legal. Rule References 301(c & d Note 1).

The maximum curvature is determined by a measurement at the bottom of the stick blade only. The team requesting the measurement must be assessed a bench minor penalty.

**→ Situation 7**

Is there a maximum curvature for a goalkeeper's stick?

Yes. The curvature of the goalkeeper's stick is restricted to  $\frac{3}{4}$  inch, the same as for other players. Rule References 301(c).

---

**→ Situation 8**

If the goalkeeper loses or breaks his stick, can he participate with a stick that would normally be used by a defenseman or a forward?

Yes. Rule Reference 301(b).

A goalkeeper may use any stick as long as it does not exceed maximum measurements as outlined for a goalkeeper's stick.

---

**→ Situation 9**

At the start of a game, but before the opening face-off, the Captain of Team A makes a formal complaint against the dimensions of the stick of a Team B player. Should the Referee measure the stick?

Yes. The Referee must measure the stick and assess the appropriate penalty. Rule References 301(d) and 307.

In all instances where a player is on the ice and prepared for a face-off, he is considered ready to play and his equipment is liable for measurement.

The Referee may not measure the stick of any player on the players' bench or penalty bench, but must wait until the player goes onto the ice.

**→ Situation 10**

Prior to a penalty shot attempt, the Captain of the offending team requests a measurement of the stick of the player who is designated to take the shot. Should the Referee measure the stick immediately?

Yes. If the stick is found to be illegal, the appropriate penalty shall be assessed to the player after he takes the penalty shot with a replacement stick, whether or not a goal is scored on the penalty shot. Rule References 301(d) Note 1 and 307.

If the stick is found to be legal, the team requesting the measurement must be assessed a bench minor penalty to be served immediately following the penalty shot. Rule Reference 307(c).

During any stoppage of play, all stick measurements must be made immediately after a request from the Captain. If a measurement is requested while play is in progress, the measurement must be conducted at the next stoppage of play.

**→ Situation 11**

How many requests for a stick measurement can be made during a stoppage of play?

One request per team, per stoppage. Rule References 301(d) Note 1 and 307.

**→ Situation 12**

The Captain of Team A requests a measurement of the stick of an opponent. When asked which specific part of the stick he would like measured, he replies, “the length of the shaft and the curvature of the blade.” Should the Referee honor this request?

No. Rule References 301(d) Note 1 and 307.

The Captain must designate only one measurement per stoppage of play. The request must be specific as to which part of the stick is to be measured (i.e., blade curvature, blade width, shaft length, etc.).

**→ Situation 13**

A player takes a penalty shot. After the completion of play he refuses to surrender his stick for measurement when requested to do so by the Referee. What penalty or penalties, if any, must be assessed?

A minor penalty plus a misconduct must be assessed to the player. Rule References 301(d Note 3 & e).

This penalty shall be assessed any time a player refuses to surrender his stick for a measurement. If a goal was scored during the penalty shot, it shall be allowed regardless of whether or not the measurement was made or of the outcome of the measurement.

---

**→ Situation 14**

A Team A player receives a minor penalty and is seated on the penalty bench. The Team B Captain challenges that player's stick prior to the expiration of the Team A player's penalty. Should the Referee immediately measure the challenged stick?

No. Rule References 301(d) and 307.

The Referee cannot measure the stick of any player on the penalty bench, but must wait until the player goes onto the ice.

---

**→ Situation 15**

Player A6 loses possession of his stick. Teammate A10 hands his stick to A6. After a period of time with play still in progress, A6 hands the stick back to A10 who has still not received another stick. Following this second exchange of sticks, A6 picks up his stick which is lying on the ice. Has anything illegal occurred in this situation?

No. Rule References 301(f) and 605(b).

As long as no player participates in the play with more than one stick at a time, nothing illegal has taken place.

**RULE 302 SKATES****→ Situation 1**

During play, the Referee notices that a protective heel tip required on the skate of a player is missing. What procedure shall the Referee follow to insure that the heel tip gets replaced?

At the next stoppage of play, the Referee shall order that player off the ice until the heel tip has been replaced. Rule Reference 302(a).

The Rule Book states that the player must be ordered off the ice “immediately.” During play, however, the Referee shall not stop play for this infraction. Thus “immediately,” in this case, means at the next stoppage of play.

**→ Situation 2**

During the pre-game warm-up, the Referee notices the required heel tip is missing from a player's skate. Should the Referee order its replacement immediately or should he wait until the player participates in the play before he orders its replacement?

The heel tip must be replaced before the player is allowed to play. Rule Reference 302(a).

When the Referee notices the required heel tip is missing, it becomes his responsibility to inform the player that the replacement must be made.

**→ Situation 3**

May tape be used as a replacement heel tip?

Yes. Rule Reference 302(a).

The heel tip was designed to guard the sharp pointed end of the skate blade. As long as those sharp edges remain covered, tape is a satisfactory replacement.

→ **Situation 4**

May a “player” (non-goalkeeper) wear goalkeeper’s skates during play?

No. Rule References 302(a & b).

Goalkeeper’s skates are specifically designed for goalkeeper’s play, thus are unsuitable for normal play.

---

→ **Situation 5**

May an On-Ice Official wear goalkeeper’s skates to officiate a game?

No. Rule References 302(a & b).

Goalkeeper’s skates are specifically designed for goalkeeper’s play, thus are unsuitable for officiating.

**RULE 303 GOALKEEPER'S EQUIPMENT****→ Situation 1**

Is the goalkeeper allowed to wear a jersey that is grossly oversized to the point where it may act as webbing and thereby assist him in playing goal?

No. Rule Reference 303(a).

In order for the Referee to demand the removal of an oversized jersey, it must be grossly oversized so that the intentions of the goalkeeper are obvious.

**→ Situation 2**

Some goalkeeper's gloves have a "catching pocket" attachment that connects the thumb and the wrist portions of the glove. What are the guidelines when determining the legality of such a glove?

The cuff of the catching glove shall not exceed 8½ inches in width and any attachment must connect the cuff portion and the thumb in a straight line. Rule Reference 303(a).

Rule 303 prohibits a goalkeeper from wearing any "contrivance which would give him undue assistance in keeping goal." Any part of the glove that does not conform to the above guidelines is to be considered a "contrivance."

**→ Situation 3**

Are goalkeeper throat/neck protectors classified as legal equipment?

Yes, in fact throat/neck protection is recommended. Rule Reference 303(c).

As long as they are intended for protection and do not give undue assistance in keeping goal, they are classified as permitted equipment.

**→ Situation 4**

A team has two goalkeepers, both with illegal facemasks. The team Captain informs the Referee that these masks are the only masks that the goalkeepers own. Should the Referee allow the goalkeepers to play with illegal facemasks?

No. Rule References 303(c) and 304(d).

Under no circumstances is a Referee to allow any player or goalkeeper to participate without the proper headgear. In this instance, the team can either let the goalkeeper wear the legal helmet and facemask of another player or the team can play without a goalkeeper.

---

**→ Situation 5**

What are the guidelines regarding the wearing of a non-HECC approved form-fitted goalkeeper's facemask?

All goalkeepers in the Midget (18 & under) age classification and below must wear a HECC approved helmet and facemask. There is no provision for the wearing of a form fitted facemask in these youth age classifications. Rule Reference 303(c).

A goalkeeper in the Adult age classification must wear a hockey helmet and full facemask. There is no HECC requirement, but no form-fitted masks are permitted.

---

**→ Situation 6**

Will a player meet HECC helmet and facemask standards if he plays with a goalkeeper helmet and facemask combination?

No, unless the two components of the goalkeeper helmet and facemask meet ASTM standards. Rule Reference 304(b & c).

At the time of publication, there were two HECC/ASTM standards for hockey headgear - one for helmets and one for facemasks. Thus a participant at any position, including goalkeeper, will meet the "HECC approved" requirement if wearing an approved helmet and an approved facemask.

There is an additional HECC/ASTM standard which specifically covers goalkeeper helmet and facemask combinations.

HECC approved goalkeeper headgear does not necessarily meet the entire ASTM standards for both helmets and facemasks, thus HECC permits such equipment only for goalkeepers. As such, unless the equipment meets both ASTM standards, it may not be worn by a non-designated goalkeeper.

---

➔ **Situation 7**

A goalkeeper has been assessed a minor penalty for playing with oversized pads. What happens to the equipment?

The goalkeeper may not wear the equipment in the same condition it was when it was found to be illegal. Rule Reference 303(d).

The goalkeeper may remove and change the pads or tape or tie them in a manner that conforms to the measurement rules.

---

➔ **Situation 8**

A goalkeeper has been assessed a minor penalty for playing with illegal equipment. How much time shall the Referee allow for the goalkeeper to change the illegal equipment?

The goalkeeper shall be given minimal time to change equipment. Rule References 303(d) and 602(c).

The Referee shall permit the change of easily interchangeable equipment such as the chest protector, gloves and stick. He shall not allow any leg pad changes that will require a longer time to replace. When a leg pad change is required, the game must continue with a substitute or temporary goalkeeper or another player.

**→ Situation 9**

The Referee has been requested to measure a goalkeeper's leg pads. Both pads have a one inch thickness of tape on each side. The goalkeeper wishes to remove this tape prior to the measurement. Should the Referee allow this action?

No. Rule Reference 303(d).

The pads must be measured in the condition in which they were used during play.

---

**→ Situation 10**

Team A requests a measurement of the blocker pad of the Team B goalkeeper. The ensuing measurement shows the pad to be of legal size. Should the Referee assess a bench minor penalty to the team requesting the measurement?

Yes. Rule References 303(d) and Rule 307.

The bench minor penalty assessed a team that requests a measurement that is not sustained applies to all equipment except the mouthpiece.

**RULE 304 PROTECTIVE EQUIPMENT****→ Situation 1**

A player loses his helmet and/or facemask during play. What options does he have?

In Youth and Girls/Women games (below Adult), an immediate stoppage must occur, and the player must be substituted on the ice. The player may return by normal substitution once play has resumed. In Adult hockey (male and female), the player must replace the lost equipment before becoming further involved in the play or skate to the players' bench immediately. Rule Reference 304(a).

The intent of this rule is to prevent the player from participating in the play while his head and facial areas are unprotected.

**→ Situation 2**

A player is discovered to be wearing his elbow pads outside of his sweater. What action shall the Referee take to correct this situation?

The Referee must inform the offending player that all pads, except gloves, helmet/facemask and goalkeeper's leg guards, must be worn under the uniform and order him off the ice until the situation is corrected. Rule Reference 304(a).

If the player returns to play with the pads outside of the sweater, the Referee shall assess a minor penalty to the offending player.

**→ Situation 3**

Is it legal for a player to skate with his jersey tucked into his pants?

Yes. Rule References 304(a) and 203(d).

Although Rule 304 states that "all protective equipment except gloves, helmet/facemask and goalkeeper leg guards must be worn under the uniform," the pads contained inside the pants are considered to be a part of the "uniform."

Provided that the player's identifying number remains fully visible, he is allowed to tuck his jersey into the pants.

**→ Situation 4**

May the Referee require that a player change a helmet which conflicts with his team's colors?

No. Rule References 304(b) and 203(d).

The USA Hockey Playing Rules do not make it mandatory for a team to wear color coordinated helmets. A Referee must not order any helmet to be removed or changed unless he believes it to be dangerous or illegal equipment.

---

**→ Situation 5**

Shall the Referee assess a minor penalty to a player who participates in play with his helmet strap fastened, even if the helmet strap fits very loosely around the chin?

No. Rule Reference 304(b).

As long as the helmet strap is securely fastened to the helmet, the Referee may not penalize a player who wears a loosely fitting helmet strap. The Referee may, however, order a player off the ice to correct a helmet strap if the strap is not short enough to keep the helmet securely on the player's head.

---

**→ Situation 6**

If a player completely paints a HECC approved helmet to change the color of the helmet, is the helmet considered to be an altered piece of protective equipment?

Yes. Rule Reference 304(b).

A helmet that is completely painted voids the manufacturer's warranty and may weaken the plastic components of the helmet. Thus, such a helmet does not meet the HECC standards for helmets. Helmets that have small painted logos or small stickers attached to them shall be deemed to be legal under this rule, provided that such paint or sticker does not cover the entire surface of the helmet.

**→ Situation 7**

A goalkeeper is wearing a custom painted HECC approved helmet/facemask combination. Should the Referee allow this mask to be worn?

Yes. Rule Reference 304(b).

A painted goalkeeper's helmet/facemask, such as many of the currently marketed models, should not be considered to be an altered piece of equipment, as a player's painted helmet normally would. These particular masks are made of materials that are not affected by the painting, thus they may be painted as desired by the goalkeeper. It is recommended, however, that such equipment be painted according to the manufacturer's specifications.

**→ Situation 8**

If a player takes apart two HECC approved helmets of different colors and reassembles the different colored fronts and backs of the two helmets, is the "new" helmet considered to be altered, thus causing it to be illegal?

No. Rule Reference 304(b).

The multicolored helmet meets the HECC standard for helmets as long as 1) the helmet appears to be reassembled properly, and 2) both parts are from the same model HECC approved helmet. Any multicolored helmet that doesn't fit the above two criteria shall be considered to be illegal.

**→ Situation 9**

A team takes the ice without HECC approved helmets, claiming to have an agreement with the other team allowing them to play without HECC approved helmets. Should the Referee allow them to play without the required equipment?

No. Rule Reference 304(b).

No excuse is acceptable for the Referee to permit any team to wear non-HECC approved helmets or facemasks (where required).

**→ Situation 10**

Is the substitute goalkeeper required to wear his helmet/facemask while he is on the players' bench?

Yes. Rule Reference 304(b).

Regardless of what position they play, all players and goalkeepers who are dressed in hockey equipment must wear the required helmet/facemask at all times while on the players' bench.

---

**→ Situation 11**

A player is injured during the play and is subsequently sent to his players' bench at the next stoppage to be tended to by the Coach. During the time that he is being looked at by the Coach on the players' bench, is he required to wear his helmet and facemask.

Yes. Rule Reference 304(b).

Unless the injury is such that would require removal of the helmet/facemask, such as a head, neck or shoulder injury, the injured player is still required to wear his helmet/facemask.

---

**→ Situation 12**

A player on the players' bench briefly removes his helmet/facemask to wipe out the inside of his helmet. Does this action warrant a warning by the Referee?

No. Rule Reference 304(b).

A player may momentarily remove his helmet while on the players' bench for adjustments such as wiping out the facemask, fixing the helmet padding, etc. This adjustment, however, must be brief and not prolonged.

**→ Situation 13**

A player goes onto the ice, ready for play, with the proper helmet and facemask. The facemask chin cup straps are properly fastened, but the helmet strap has been removed. The player claims that the facemask chin straps are sufficient to secure his helmet on his head. Should the Referee permit this player to wear his protective helmet/facemask in this manner?

No. Rule Reference 304(b).

The helmet strap and the facemask chin straps and chin cup must be properly fastened in order for the Referee to allow any player to participate in the game.

**→ Situation 14**

An On-Ice Official arrives at the game only to realize that he forgot his helmet. Is he allowed to officiate in this instance without a helmet?

No. Rule References 304(b) and 502(b).

All On-Ice Officials must wear a hockey helmet when officiating. USA Hockey recommends that all officials should arrive at the arena at least 30 minutes prior to the scheduled start of the game. This policy allows the official enough time to obtain any forgotten equipment from home or to borrow any forgotten protective equipment. In the rare instance that a hockey helmet cannot be retrieved or borrowed, the official cannot participate until the appropriate protective equipment has been obtained. Thus all On-Ice Officials must strive to avoid this situation, at all costs.

**→ Situation 15**

What are the proper procedures for the On-Ice Officials to follow when attempting to identify HECC approved helmets and facemasks.

The Officials must make a visual check of all required protective equipment while the players are on the ice during warm-ups. If there is a piece of equipment that is questionable, the Officials must make a close inspection of the equipment in order to make the proper decision. Rule References 304(b & d).

The following steps must be completed in this order when determining the legality of a required HECC approved helmet or facemask:

**STEP 1:** All certified helmets and facemasks should have the HECC approved sticker attached, unless the player has removed the sticker. The first burden of proof is if the equipment has the proper sticker attached it is eligible for use.

**STEP 2:** Learn the characteristics of the HECC approved helmets and facemasks and be able to recognize a piece of HECC approved equipment visually. Helmets must have ear protection and wire facemasks generally have a small square grid system and an attached chin cup.

**STEP 3:** Compare the helmet(s) or facemask(s) in question with the HECC approved lists that can be linked to from the Officials' Section of [usahockey.com](http://usahockey.com).

---

**→ Situation 16**

Does HECC approval continue for a helmet or facemask after the manufacturer of such equipment decides not to renew the HECC certification for the helmet or facemask?

Yes, but only until it is reviewed by the HECC Committee and the committee decides to withdraw HECC approval from the equipment in question. Rule References 304(b & d).

HECC periodically reviews all facemasks and helmets that are HECC approved, but are no longer manufactured. This periodic review is based partially on correspondence received from people in the hockey community. If enough correspondence is received, HECC will review the particular piece of equipment to determine its acceptability and safety.

**→ Situation 17**

A player has been assessed a Misconduct Penalty for playing without a mouthpiece (PeeWee through Midget). The team had previously been issued its one warning for that game. After he serves this penalty, may he legally continue to play without a mouthpiece?

No. Rule Reference 304(c).

A player cannot “buy” the right to play with illegal equipment or without required equipment by simply serving a penalty. The player may continue to play after serving his penalty, but only after securing a mouthpiece.

**→ Situation 18**

A player goes onto the ice during a line change and is not wearing a mouthpiece (PeeWee through Midget). May he be penalized before play is resumed?

Yes. Rule Reference 304(c), providing the team has received its warning for that game. If the team has not yet been warned, the player would be removed and the team warning would be issued at that point.

Once the player is on the ice he is considered to be participating in the game, even though play has not resumed. Similarly, if his stick blade curvature were to be challenged, the measurement would take place immediately and the appropriate penalty assessed prior to play resuming.

**→ Situation 19**

Must a request come from the Captain of the opposing team before the Referee may assess a Misconduct Penalty to a player who does not wear a mouthpiece (PeeWee through Midget)?

No. Rule References 304(c) and 307(a).

Whenever a player is on the ice, he is deemed ready to play and may be assessed a Misconduct Penalty for not wearing a mouthpiece.

**→ Situation 20**

May a player wear a non-HECC approved facemask if he has added a piece of wire or metal to the mask to make it appear legal?

No. Rule Reference 304(d).

An altered facemask is generally more dangerous than a facemask that is originally manufactured and such a mask is considered unsafe by HECC standards. Added pieces of wire or metal may break or become dislodged and cause serious injury to either the player wearing the mask or another player.

---

**→ Situation 21**

May a player participate with a HECC approved facemask that has been altered?

No. Rule Reference 304(d).

Generally, only HECC approved facemasks are legal. If any bars are missing or bent enough to create a larger opening, the facemask shall be considered illegal.

---

**→ Situation 22**

A team takes the ice without HECC approved facemasks (when required), claiming to have an agreement with the other team allowing them to play without HECC approved facemasks. Should the Referee allow them to play without the required equipment?

No. Rule Reference 304(d).

No excuse is acceptable for the Referee to permit any team to wear non-HECC approved facemasks, when required. This rule is applicable to all players, including goalkeepers, of each team. The only players who are excepted from this rule are those players in the Adult age classification.

**→ Situation 23**

What action should the referee take when the goalkeeper loses one of his gloves during play?

Keeping safety as the primary consideration, the referee should stop play whenever the goalkeeper loses a glove and is in a vulnerable position UNLESS there is an imminent scoring opportunity in which play should be allowed to continue until the imminent scoring opportunity has passed. Rule Reference 304(a)

If the referee judges the goalkeeper has deliberately removed any equipment during play he should assess the offending goalkeeper a 'Delay of Game' minor penalty.

**RULE 305 DANGEROUS EQUIPMENT****→ Situation 1**

A player is found to have several small holes in the palm of his glove which allow his fingers to protrude. Should he be penalized?

No. Rule Reference 305(b).

The intent of this rule is to prohibit the use of gloves where the palm has been intentionally removed or cut to permit the use of the bare hands. Where the palms are worn to the point of some exposed holes, such gloves are permissible unless, in the opinion of the Referee, the holes are of such a size that the player may use his bare hands to hold an opponent.

---

**→ Situation 2**

A player receives a misconduct penalty for playing with a glove that has the palm deliberately removed. After his penalty expires he participates in the play again, with the same glove. What penalty shall be assessed for a second violation of this rule?

A misconduct penalty. Rule Reference 305(b).

A player cannot “buy” his way into a game with illegal equipment by serving a misconduct penalty. The equipment must be corrected before he can legally participate again. If this situation occurs a third, or even fourth time, the penalties assessed must still be misconduct penalties. There are no progressive penalties for these occurrences.

---

**→ Situation 3**

What protection satisfies the “jewelry” rule regarding a player who is wearing an earring?

A HECC certified helmet (with ear flaps) will satisfy the rule requirements. The jewelry must be completely covered by equipment or taped to the body.

Rule Reference 305(c).

The tape may be clear or opaque.

**RULE 306 PUCK****→ Situation 1**

Is the freezing of game pucks an acceptable practice?

Yes. Rule Reference 306(a).

The freezing of game pucks before the game helps to keep them from bouncing on the ice during the game.

---

**→ Situation 2**

How much of a chip must be missing from a puck to render it unplayable?

Any puck that, in the opinion of the Referee, is chipped enough to alter the normal movements of the puck shall be deemed unplayable. Rule Reference 306(a).

The puck must be round with a flat edge. The edges must not be rounded, cut or chipped to the extent of affecting the normal movements of the puck.

---

**→ Situation 3**

In a Mite game, neither team has any lightweight blue pucks. Can the game be played with the conventional weight black puck?

Yes, providing both head coaches consent to play the game and sign the scoresheet accordingly before the game begins. The officials are also required to report this situation to their area supervisor. If either team opts not to play the game, it is no game.

---

**→ Situation 4**

A Mite team is playing an exhibition game against a Squirt team. Mites are required to use the blue lightweight puck, whereas Squirts use the black conventional weight puck. Which puck shall be used for the game?

The black puck may be used if the head coach of the Mite team agrees to do so and signs the scoresheet accordingly. Otherwise the lightweight blue puck must be used.

## **RULE 307 EQUIPMENT MEASUREMENT**

### **→ Situation 1**

The Captain of Team A requests that the Referee check the mouthpiece of a Team B player, to determine if he is wearing one. Is the Referee required to honor this request and, if so, is there a penalty to be assessed Team A if the request is not sustained?

The Referee must honor this request. If the complaint is not sustained, there shall not be a bench minor penalty assessed, unless the Referee feels that the request was made unquestionably for the purpose of delaying the game Rule References 307(a & c), 304(c), and 609(d).

---

### **→ Situation 2**

May the Referee make a measurement of equipment without a request from the opposing team?

Yes. Rule Reference 307(b).

The Referee may measure any equipment, other than a stick, without a request from the opposing team, but only when the equipment in question is being used for the first time in the game.

The Referee may, however, order the replacement of any equipment that he deems to be dangerous, at any time.

---

### **→ Situation 3**

Must a request for a stick measurement come from the Captain of the opposing team before a penalty is assessed?

Yes. Rule Reference 307(b).

The Referee may measure any other piece of equipment, stick excluded, without a prior request by the opposing Captain if the equipment is being used for the first time in that game.

**RULE 308 ELECTRONIC EQUIPMENT****→ Situation 1**

Team A is using a light on the players bench for the purpose of informing players on the ice that it is time for a line change. Is this permissible?

No. Rule Reference 308(a).

While this is not considered as an electronic device, it is still prohibited by this rule. Additionally, it creates a potential distraction to the opposing team.

**→ Situation 2**

A team is using a two-way radio system between a coach on the players' bench and a non-team official in the spectator area. Is this permissible?

Yes. Rule Reference 308(a).

The rule prohibits such communication between a player or goalkeeper (on or off the ice) and either a person on the bench or somewhere else in the arena.

Communication between the bench and a spectator or other viewing area is permitted.



**SECTION FOUR**  
**PENALTIES**





**Rule 401 Penalties**

- (a) Penalties shall be actual playing time and shall be divided into the following classes:
- (1) Minor/Bench Minor Penalties
  - (2) Major Penalties
  - (3) Misconduct Penalties
  - (4) Match Penalties
  - (5) Penalty Shot

Where coincident penalties are imposed on players of both teams, the penalized players of the visiting team shall take their positions on the penalty bench first in the place designated for visiting players or, where there is no special designation, then on the bench farthest from the gate.

*(Note) When play is not actually in progress and an offense is committed by any player or Team Official, the same penalty shall apply as though play were actually in progress.*

**Rule 402 Minor Penalties**

- (a) For a "MINOR PENALTY," any player, other than a goalkeeper, shall be ruled off the ice for two minutes during which time no substitute shall be permitted.
- (b) For a "BENCH MINOR" penalty one player of the team against which the penalty is imposed shall be ruled off the ice for a period of two minutes, during which time no substitute shall be permitted. Any non-penalized player of the team who was on the ice at the time of the infraction, except the goalkeeper, may be designated to serve the penalty by the Manager or Coach through the playing Captain, and such player shall take his place on the penalty bench promptly.
- (c) If the opposing team scores a goal while a team is shorthanded (below the numerical strength of its opponent on the ice at the time of the goal) by one or more minor penalties, one of such penalties shall automatically terminate. The penalty that terminates automatically is the first minor or bench minor penalty (non-coincident) then being served by the "shorthanded" team. Thus, if an equal number

of players from each team is each serving a penalty(s) (minor, bench minor, major or match only), neither team is "shorthanded."

This rule shall not apply when a goal is scored on a penalty shot or an awarded goal.

- (d) When the minor penalties of two players of the same team terminate at the same time the Captain of that team shall designate to the Referee which of such players will return to the ice first and the Referee will instruct the Penalty Timekeeper accordingly.
- (e) When a player receives a major penalty and a minor penalty at the same time the major penalty shall be served first by the penalized player except under Rule 403(c) in which case the minor penalty will be recorded and served first.

*(Note) This applies to the case where BOTH penalties are imposed on the SAME player. See also Note to Rule 408 (Delayed Penalties).*

- (f) When coincident minor penalties are imposed against players of both teams, the penalized players shall take their place on the penalty bench and such penalized players shall not leave the penalty bench until the first stoppage of play following the expiration of their respective penalties. Immediate substitutions shall be made for an equal number of minor penalties or coincident minor penalties of equal duration to each team so penalized and the penalties of the players for whom substitutions have been made shall not be taken into account for the purpose of a delayed penalty under Rule 408 (Delayed Penalties).

### **Rule 403 Major Penalties**

- (a) For the first "MAJOR PENALTY" in any one game, the offender, except the goalkeeper, shall be ruled off the ice for five minutes, during which time no substitute shall be permitted.
- (b) For the second major penalty in the same game to the same player or goalkeeper, that player shall be assessed a game misconduct penalty in addition to the major penalty. The player or goalkeeper shall be suspended for his team's next

two games. This two-game suspension is in addition to any other required suspensions incurred during the same incident.

Unless immediate substitution is permitted under the coincident major penalty Rule 403(c), the penalized team shall place a substitute player on the penalty bench before the penalty expires and no other replacement for the penalized player shall be permitted to enter the game except from the penalty bench; for violation of this rule a bench minor penalty for illegal substitution shall be imposed.

- (c) When coincident major penalties or coincident penalties of equal duration including a major penalty are imposed against players of both teams, the penalized players shall all take their place on the penalty bench and such penalized players shall not leave the penalty bench until the first stoppage of play following the expiration of their respective penalties.

Immediate substitutions shall be made for an equal number of major penalties or coincident penalties of equal duration including a major penalty to each team so penalized and the penalties of the players for which substitutions have been made shall not be taken into account for the purpose of a delayed penalty under Rule 408 (Delayed Penalties).

- (d) Where it is required to determine which of the penalized players shall be designated to serve the delayed penalty under Rule 408 (Delayed Penalties), the penalized team shall have the right to make such designation not in conflict with Rule 402 (Minor Penalties).

#### **Rule 404 Misconduct Penalties**

- (a) A "MISCONDUCT" penalty involves the removal of a player, other than a goalkeeper, from the game for a period of 10 minutes, but another player is permitted to immediately replace a player so removed. A player whose misconduct penalty has expired shall remain in the penalty bench until the next stoppage of play.

Unless immediate substitution is permitted under the coincident penalty rules 402(f) and 403(c), when a player receives a minor or a major penalty plus a misconduct or game misconduct penalty at the same time, the penalized team shall immediately place an additional non-penalized player other than a goalkeeper on the penalty bench and such player may not be changed.

The team shall be assessed a bench minor penalty for illegal substitution under Rule 205 (Change of Players) for any violation of this provision

- (b) A "GAME MISCONDUCT" penalty involves the suspension of a player or Team Official for the balance of the game, but another player is permitted to immediately replace a player removed.
- (c) A player or Team Official incurring a game misconduct penalty shall be suspended for his team's next game (the game already appearing on the schedule of that team at the time of the infraction), except that when such penalty is imposed under Rule 403(b) (Second Major in Game) there shall be a minimum two-game suspension.

*(Note) In all cases where a game misconduct penalty is assessed, the incident shall be reported to the proper authorities who shall have full power to impose further suspensions.*

- (d) Any player (Midget age classification and below, including High School and Senior Women) who incurs five penalties in the same game shall be assessed a game misconduct penalty.

Any Adult player who incurs five penalties in the same game shall be immediately ejected from the game with no further suspension.

Any Head Coach whose team (Midget age classification and below, including High School and Senior Women) receives 15 or more penalties during one game shall be suspended for the next one game of that team.

*(Note) For all game misconduct penalties regardless of when imposed, a total of 10 minutes shall be charged in the records against an offending player.*

- (e) If any Team Official is assessed a game misconduct penalty, he may not sit near the bench of his team, nor in any way attempt to direct the play of his team.

**Rule 405 Match Penalties**

- (a) A “MATCH” penalty involves the suspension of a player or Team Official for the balance of the game, and the offender shall be removed from the game immediately. Unless immediate substitution is permitted under the coincident penalty rules 403(c) and 405(b), the penalized team shall place a substitute player on the penalty bench before the time portion (five minutes) of the match penalty expires and no other replacement for the penalized player shall be permitted to enter the game except from the penalty bench; for violation of this rule a bench minor penalty for illegal substitution shall be imposed. The player shall also serve any additional minor or major penalty assessed to the offending player or Team Official unless otherwise specified in the rules.

*(Note) For all “MATCH” penalties, regardless of when imposed, or prescribed additional penalties, a total of 10 minutes shall be charged in the records against the offending player or Team Official.*

- (b) When coincident match penalties have been imposed or when any combination of coincident major and match penalties have been imposed on a player or players of both teams, Rule 403(c) covering coincident major penalties will be applicable with respect to player substitutions.
- (c) A player or Team Official incurring a match penalty shall be suspended from participating in any USA Hockey games and practices until his case has been dealt with by the proper authorities. A hearing by the proper authorities shall be offered to be held (including any further disciplinary action) within 30 days of the incident (“30-day period”) together with a decision in accordance with Bylaw 10D (Suspension Hearings/Domestic Competition Playing Rules). If extenuating circumstances prevent the proper authorities from conducting the hearing within the 30-day period, the player or Team Official shall be automatically reinstated after the 30-day period. The failure to offer the hearing shall not prohibit the hearing body from conducting the hearing after the 30-day period and imposing further disciplinary action.

*(Note) The Referee is required to report all match penalties and the surrounding circumstances to the proper authorities immediately following the game in which they occur.*

- (d) If any Team Official is assessed a match penalty, he may not sit near the players' bench of his team, nor in any way attempt to direct the play of his team.
- (e) Original jurisdiction in any hearing resulting from a match penalty assessed under Rule 601(g.1) or 601(j.1) (Physical Assault of Officials) shall reside with the Affiliate Association.

### **Rule 406** Penalty Shot

- (a) A "Penalty Shot" shall be taken as follows:

The Referee shall cause to be announced over the public address system the name of the player designated by him or selected by the team entitled to take the shot (as appropriate) and shall then place the puck on the center face-off spot and the player taking the shot will, on the instruction of the Referee, play the puck from there and shall attempt to score on the goalkeeper. Once the player taking the shot has touched the puck, it must be kept in motion towards the opponent's goal line and once it is shot the play shall be considered complete. No goal can be scored on a rebound of any kind and any time the puck crosses the goal line the shot shall be considered complete.

Only a player designated as a goalkeeper, substitute goalkeeper or temporary goalkeeper (see Glossary) may defend against a penalty shot.
- (b) The goalkeeper must remain in his crease until the player taking the penalty shot has touched the puck and in the event of violation of this rule or any foul committed by a goalkeeper the Referee shall allow the shot to be taken and if the shot fails he shall permit the penalty shot to be taken again.

The goalkeeper may attempt to stop the shot in any manner except by throwing his stick or any object, in which case a minor penalty shall be assessed to the goalkeeper, whether or not a goal is scored on the penalty shot.

*(Note) See Rule 636 (Throwing Stick).*
- (c) In cases where a penalty shot has been awarded under Rule 609(c)-deliberately displacing goalpost or removing helmet/facemask during a breakaway, Rule 621(f)-interference, under Rule 625(g)-for illegal entry into the

game, under Rule 636(a)-for throwing a stick and under Rule 639(c)-for fouling from behind, the Referee shall designate the player who has been fouled as the player who shall take the penalty shot.

In cases where a penalty shot has been awarded under Rule 205(c)-deliberate illegal substitution with less than two minutes remaining in regulation time or anytime during overtime, under Rule 609(c)-deliberately displacing goalpost with less than two minutes remaining in regulation time or anytime during overtime, Rule 612(c)-falling on the puck in the crease or Rule 615(d)-picking up the puck from the crease area, the penalty shot shall be taken by a player selected by the Captain of the non-offending team from the players on the ice at the time the foul was committed. Such selection shall be reported to the Referee and cannot be changed.

If by reason of injury the player designated by the Referee to take the penalty shot is unable to do so within a reasonable time, the shot may be taken by a player selected by the Captain of the non-offending team from the players on the ice at the time the foul was committed. Such selection shall be reported to the Referee and cannot be changed.

If the offense for which the penalty shot was awarded was such as would normally incur a minor or bench minor penalty, the non-offending team may, prior to the penalty shot, elect that the minor or bench minor penalty be assessed to the offending player or team in lieu of the penalty shot.

- (d) Should the player in respect to whom a penalty shot has been awarded himself commit a foul in connection with the same play or circumstances, either before or after the penalty shot has been awarded, be designated to take the shot, he shall first be permitted to do so before being sent to the penalty bench to serve the penalty, except when such a penalty is for a game misconduct or match penalty, in which case the penalty shot shall be taken by a player selected by the Captain of the non-offending team from the players on the ice at the time the foul was committed.

If, at the time a penalty shot is awarded, the goalkeeper of the penalized team has been removed from the ice for another player, the goalkeeper shall be permitted to return to the ice before the penalty shot is taken.

- (e) While the penalty shot is being taken, players of both sides shall withdraw to the sides of the rink and beyond the center red line.
- (f) If, while the penalty shot is being taken, any player of the opposing team shall have by some action interfered with or distracted the player taking the shot and because of such action the shot should have failed, a second attempt shall be permitted and the Referee shall impose a misconduct penalty on the player so interfering or distracting.
- (g) If a goal is scored from a penalty shot, the puck shall be faced at center ice in the usual way. If a goal is not scored, the puck shall be faced at either of the end face-off spots in the zone in which the penalty shot has been tried.
- (h) Whether or not a goal is scored from a penalty shot, if the offense for which the penalty shot was awarded was such as to incur:
  - (1) a major, match or misconduct penalty, such penalty shall be imposed in addition to the penalty shot.
  - (2) a minor or bench minor penalty, the offending team shall not be reduced in on-ice strength as a result.
- (i) If the foul upon which the penalty shot is based occurs during actual playing time, the penalty shot shall be awarded and taken immediately in the usual manner, notwithstanding any delay occasioned by a slow whistle by the Referee to permit the play to be completed which delay results in the expiration of the regular playing time in any period.

The time required for the taking of a penalty shot shall not be included in the regular playing time or any overtime.

### **Rule 407** Goalkeeper Penalties

- (a) A goalkeeper shall not be sent to the penalty bench for an offense that incurs a minor, major or misconduct penalty, but instead any of these penalties shall be served by another member of his team who was on the ice when the offense was committed, such player to be designated by the Manager or Coach of the offending team through the Captain and such substitute shall not be changed.

- (b) Should a goalkeeper incur a game misconduct penalty, his place will be taken by a member of his own team, or by a substitute or temporary goalkeeper who is available, and such player will be allowed the goalkeeper's full equipment. He shall also be suspended under the appropriate game misconduct rule (404(c)).
- (c) Should a goalkeeper incur a match penalty, his place will be taken by a member of his own team, or by a substitute goalkeeper who is available, and such player will be allowed the goalkeeper's equipment. However, any additional penalties as specifically called for by the individual rules covering match penalties will apply, and the offending team shall be penalized accordingly; such additional penalty to be served by another member of the team on the ice at the time the offense was committed, said player to be designated by the Manager or Coach of the offending team through the Captain.
- (d) A minor penalty shall be imposed on a goalkeeper who leaves the immediate vicinity of his crease during an altercation.  
*(Note) All penalties imposed on a goalkeeper, regardless of who serves the penalty, or any substitution, shall be charged in the records against the goalkeeper.*
- (e) If a goalkeeper deliberately participates in the play in any manner when he is beyond the center red line, a minor penalty shall be imposed upon him.

### **Rule 408** Delayed Penalties

- (a) If a third player of any team shall be penalized while two players of the same team are serving penalties, the penalty time of the third player shall not commence until the penalty time of one of the two players already penalized shall have elapsed. Nevertheless, the third player penalized must at once proceed to the penalty bench and may be replaced by a substitute until such time as the penalty time of the penalized player shall commence.
- (b) When any team shall have three players serving penalties at the same time and because of the delayed penalty rule a substitute for the third offender is on the ice, none of the three penalized players on the penalty bench may return to

the ice until play has been stopped. When play has been stopped, the player whose full penalty has expired may return to the play.

Provided, however, that the Penalty Timekeeper shall permit the return to the ice in the order of expiration of their penalties, of a player or players when by reason of the expiration of their penalties the penalized team is entitled to have more than four players on the ice.

- (c) In the case of delayed penalties, the Referee shall instruct the Penalty Timekeeper that the penalized players whose penalties have expired shall only be allowed to return to the ice when there is a stoppage of play.

When the penalties of two players of the same team will expire at the same time the Captain of that team will designate to the Referee which of such players will return to the ice first and the Referee will instruct the Penalty Timekeeper accordingly.

When a major and a minor penalty are imposed at the same time on players of the same team, the Penalty Timekeeper shall record the minor as being the first of such penalties.

*(Note) This applies to the case where the two penalties are imposed on DIFFERENT players of the same team. See also Rule 402(e) (Note), (Minor Penalties).*

### **Rule 409** Calling of Penalties

- (a) Should an infraction of the rules be committed by a player of the team in possession and control of the puck, the Referee shall immediately stop play and assess the penalty(s) to the offending player(s).

The resulting face-off shall be made at the place where the play was stopped unless the stoppage occurs in the Attacking Zone of the player penalized in which case the face-off shall be made at the nearest face-off spot in the Neutral Zone.

- (b) Should an infraction of the rules be committed by a player of a team NOT in possession and control of the puck the Referee shall signify the calling of a penalty by raising his arm and upon completion of the play by the team in possession will immediately stop play and assess the penalty to the offending player.

*(Note 1) There shall be no signal given by the Referee for a misconduct or game misconduct penalty under this section.*

*(Note 2) "Completion of the play by the team in possession" in this rule means that the puck must have come into the possession and control of an opposing player or goalkeeper, or has been "frozen." This does not mean a rebound off the goalkeeper, the goal or the boards or any accidental contact with the body or equipment of an opposing player.*

The resulting face-off shall be made at the place where the play was stopped, unless during the period of a delayed whistle due to a foul by a player of the team NOT in possession, the team in possession ices the puck, shoots the puck from its Defending Zone so that it goes out of bounds or is unplayable then the face-off following the stoppage shall take place in the Neutral Zone near the defending blue line of the team shooting the puck.

If the penalty or penalties to be imposed are minor penalties and a goal is scored on the play by the non-offending team, the first minor penalty shall be imposed and recorded but shall be deemed expired and all other penalties shall be imposed in the normal manner regardless of whether or not a goal is scored.

- (c) If after the Referee has signaled a penalty but before the whistle has been blown the puck shall enter the goal of the non-offending team as the direct result of the action of a player of that team, the goal shall be allowed and the penalty signaled shall be imposed in the normal manner.
- (d) If the Referee signals an additional minor penalty(s) against a team that is already shorthanded (below the numerical strength of its opponent on the ice at the time of the goal) because of one or more minor or bench minor penalties, and a goal is scored by the non-offending team before the whistle is blown, the goal shall be allowed, the delayed penalty(s) shall be assessed and the first non-coincident minor penalty already being served shall terminate automatically under Rule 402(c) (Minor Penalties).

- (e) Should the same offending player commit other fouls on the same play, either before or after the Referee has blown his whistle, the offending player shall serve such penalties consecutively.
- (f) All minor and bench minor penalties occurring after a goal has been scored or during the stoppage of play when a penalty shot is being attempted, shall be served in the normal manner under this rule.

### **Rule 410** **Supplementary Discipline**

- (a) In addition to the suspensions imposed under these rules, the proper disciplinary authority may, at the conclusion of the game, at their discretion, investigate any incident that occurs in connection with any game and may assess additional suspensions for any offense committed before the game, during the course of a game or any aftermath thereof by a player or Team Official, whether or not such offense has been penalized by the Referee.
- (b) Suspensions imposed during a USA Hockey State, District or Regional Play-Off, or during a National Championship, must be served during that same Play-Off or Championship. If the length of suspension carries beyond that Play-Off for an advancing team, the Discipline Committee of the following Play-Off or Championship shall be the sole authority in determining the eligibility of the individual(s).
- (c) In the case of a Match penalty, the proper disciplinary authority (as defined in the Glossary) shall be required to conduct any disciplinary actions in accordance with the provisions of USA Hockey's "Resolutions of Disputes, Arbitration and Suspensions" section of the current USA Hockey Annual Guide.

# CASEBOOK FOR PENALTIES

## **RULE 401** PENALTIES

### → Situation 1

Can the Referee impose penalties that occur during the pre-game warm-up?

Yes. Rule References 401(a)-Note and 502(a).

The Referee or his Linesmen should enter the ice prior to the start of the warm-up period and must personally witness the incident in order for penalties to be assessed. All penalties imposed during the pre-game warm-up begin at the opening face-off.

### → Situation 2

The Official observes an injured player and blows the whistle to stop play as the injured player's team gains possession and control of the puck. The players around the puck do not hear the whistle and the play continues. During this time, a player commits an infraction that calls for a minor penalty. Should the Referee assess the penalty even though play was supposed to have stopped prior to the infraction?

Yes. Rule Reference 401(a) Note.

The penalty must be assessed even though the play has technically ended. Penalties that occur during stoppages of play must be called as if they actually occurred during normal playing time.

**RULE 402 MINOR PENALTIES****→ Situation 1**

Is there a general rule of thumb for determining which penalty, if any, expires as the result of a goal scored by the opposing team?

Yes. There are many situations where a minor penalty terminates as the result of a goal scored against a team that is below the numerical strength of its opponent. Rule Reference 402(c).

NOTE: In the USA Hockey Rule Book, references are made to a “short-handed” team. This is to be interpreted as meaning that the team is below the on-ice numerical strength of its opponents.

When a goal is scored, ask yourself (considering only the penalties then in effect, and properly displayed on the clock):

Is the team that was scored upon below the on-ice numerical strength of its opponents?	If <b>NO</b> , take no action.
If <b>YES</b> , ask:	
Is there as least 1 non-coincident minor or bench minor penalty being served by the team that was scored upon?	If <b>NO</b> , take no action.
If <b>YES</b> , Terminate the minor or bench minor penalty with the least time remaining on the clock.	

**The following guidelines will assist the Referee in making the correct decision as to which penalty, if any, expires whenever a question arises:**

- (1) When both teams are at equal on-ice numerical strength, no penalty can expire as the result of a goal.
- (2) The penalty that expires is the minor or bench minor penalty then being served with the least time remaining on the penalty clock.
- (3) A major penalty cannot expire as the result of a goal scored.
- (4) A double minor penalty is always treated as two separate minor penalties, not one four-minute penalty.
- (5) Any time two minor penalties to different players of the same team expire at the same time, the Captain has his choice as to which player will return first.

At the end of the Rule 402 situations are several charts depicting some of the common penalty examples and how Rule 402 is to be applied.

## → Situation 2

Is a “substitute” player on the penalty bench entitled to return to the ice if the penalty which he is serving terminates upon the scoring of a goal?

Yes. The rules permit such return of a player, who is governed by the same rules as if the penalty was assessed to him. Rule Reference 402(c).

Examples of a “substitute” player include:

- (a) A player serving the goalkeeper’s penalty(s).
- (b) A player serving the penalty(s) for a player who was injured.
- (c) A player serving his team’s bench minor penalty.

**→ Situation 3**

Is an “additional” player on the penalty bench entitled to return to the ice if the penalty which he is “serving” terminates upon the scoring of a goal?

Yes. The rules permit such return of a player, who is governed by the same rules as if the penalty was assessed to him. Rule Reference 402(c).

In the case of an “additional” player, this person is on the penalty bench in addition to the originally penalized player (or his substitute). The player is not actually “serving” a penalty, but rather is on the penalty bench so as to achieve proper return to the game (by way of the ice) upon expiration of the penalty during play.

Examples of an “additional” player include:

- (a) A player serving the minor/major penalty time to a player who was also assessed a misconduct penalty.
- (b) A player serving the minor penalty time to a player who was also assessed a coincident minor or major penalty.

---

**→ Situation 4**

A player is assessed a minor and a misconduct penalty. An additional player enters the penalty bench, to return upon the expiration of the minor penalty. If the opposing team scores a goal that would entitle the minor penalty to terminate, does the misconduct penalty time begin immediately?

Yes. Once a penalty has terminated, the serving of the next penalty begins so as to make the penalties consecutive. Rule References 402(c), 404(a), 409(e).

This ruling applies in all examples in Situation 4 (above), where the termination of a penalty does not complete the serving of all penalties assessed to a player.

**→ Situation 5**

The goalkeeper is assessed a minor plus misconduct penalty. How are these penalties served?

A player on the ice at the time of the original infraction serves all of the goalkeeper's penalties as a "substitute." An "additional" player, who can be any player (non-goalkeeper) who is not then assessed or serving a penalty, also enters the penalty bench. Rule References 402(c), 205(d), 404(a), and 407(a).

The "substitute" player serves both penalties. The "additional" player's sole purpose on the penalty bench is to comply with the rules governing return to the ice of a penalized player when his penalty time has expired. If the minor penalty terminates upon the scoring of a goal by the opponents, the "additional" player returns to the ice, and the misconduct portion of the goalkeeper's penalty begins immediately.

**→ Situation 6**

Are there any instances in which a bench minor penalty does not have to be served by a player on the ice at the time of the infraction?

No. Rule References 402(b) and 407(a).

The only time that any non-penalized player may be designated to serve a penalty, other than his own, is when an additional player is required on the penalty bench (see Situation 4).

A bench minor penalty could be imposed when there are no players on the ice (e.g. before the start of the game, during intermissions, after players have retired to their benches before or during a penalty shot, etc). In those cases, any player of the offending team may be designated to serve the bench minor penalty.

**→ Situation 7**

A player is assessed a minor penalty and then his team is assessed a bench minor penalty during the same stoppage of play. The player's Coach requests that the player also serve the bench minor penalty? Should the Referee permit this?

No. Rule Reference 402(b).

Because the bench minor penalty is assessed to the team and not to an individual player, the Coach must send another non-penalized player who was on the ice at the time of the bench minor penalty assessment to the penalty bench to serve the bench minor penalty.

The team will then play short-handed by two players for two minutes. Had the player been assessed a second minor penalty instead of his team being assessed the bench minor penalty, he would be required to serve both penalties himself and the team would be down one player for four minutes.

---

**→ Situation 8**

May a penalized player serve a bench minor penalty that has been subsequently assessed to his team?

No. Rule Reference 402(b).

The player designated to serve a bench minor penalty must be a non-penalized player who was on the ice at the time of the bench minor penalty assessment and may not be a goalkeeper.

---

**→ Situation 9**

During play, Team A inadvertently plays while having six players plus a goalkeeper on the ice. When the team gains possession of the puck the Referee stops the play and assesses a bench minor penalty for "too many players on the ice." The Coach vehemently protests the call and is subsequently assessed an additional bench minor penalty before the ensuing face-off. May the Coach designate the same player to serve both bench minor penalties.

No. Rule Reference 402(b)

The team must designate two players who were on the ice at the time of the infractions, except a goalkeeper, to serve these penalties. Because each infraction is considered to be a separate penalty, the team must play short-handed by two players for two minutes. They do not have the option of playing short-handed by one player for four minutes.

**→ Situation 10**

A team with only six players is short-handed by two players and is subsequently assessed a bench minor penalty. May the first of the penalized players be designated to serve the delayed bench minor penalty after his penalty expires?

No. Rule References 402(b) and 201(a).

The player designated to serve a bench minor penalty must be a non-penalized player who was on the ice at the time of the bench minor penalty assessment at the time the bench minor penalty is assessed and may not be a goalkeeper. If the team is unable to put the proper number of players on the ice because of this situation, the game shall be declared a forfeit.

**→ Situation 11**

During play, the Referee signals a penalty to #17 on Team A. During the same play, #17 commits another infraction. Before the offending team can gain possession of the puck to stop play, Team B scores. What penalties, if any, are affected by the goal?

Only the first penalty is washed out. Rule References 402(c) and 409(b).

The second penalty must be assessed after the goal has been scored, but the offending player must serve only the second penalty. A goal can only wash out one signaled minor or bench minor penalty.

**→ Situation 12**

Team A is short-handed by one minor penalty. With play in progress, the Referee signals another penalty on Team A. Before play is stopped, Team B scores. Which penalties, if any, are washed out because of the goal?

The signaled penalty is assessed but the penalty being served is terminated. Rule References 402(c) and Rule 409(b).

One minor penalty terminated is the maximum allowable for one goal scored. The player whose penalty terminates may return immediately.

**→ Situation 13**

During play, a major penalty infraction is signaled on a player. As play continues, the same player commits another infraction calling for a minor penalty. Before play is completed, Team B scores a goal. Which penalties, if any, are washed out because of the goal scored?

The minor penalty is washed out, but the major penalty must be served by the offending player. Rule References 402(c) and 409(b).

The order in which the two penalties occurred has no bearing on termination in this situation.

---

**→ Situation 14**

At 7:00 player A1 is assessed a minor penalty and player B1 is assessed a double minor penalty. The penalty to A1 and one of the penalties to B1 are coincident, thus Team A will play at full strength and Team B will play short-handed by one player. Team B properly places a player on the penalty bench to serve the non-coincident penalty to his teammate. After the expiration of the first penalty, Team B returns to full strength. If a goal is scored during the last minor penalty to player B1, is he allowed to return to the ice?

No. Rule Reference 402(f).

All coincident minor penalties must be served in their entirety. In this situation B1 will remain on the penalty bench until the first stoppage of play at or after 11:00.

Conversely, if Team A had scored during the first two minutes of the double minor penalty assessed to B1, the additional Team B player is permitted to return to the game and the coincident minor penalty to B1 begins at that time.

**→ Situation 15**

A Team B player is fouled from behind and the Referee deems that the infraction warrants a penalty shot. Play is stopped when a Team B player commits a minor penalty infraction. What are Team B's options?

Team B may elect to 1) choose the penalty shot or 2) choose the optional minor penalty. Rule References 402(f) and 406(h).

If Team B chooses the penalty shot they will play short-handed by one player upon the completion of the shot. If they elect to accept the optional minor penalty in lieu of the penalty shot, the coincident minor penalty rule applies and the on-ice numerical strength is unchanged.

**→ Situation 16**

Player A1 receives a minor penalty and is sent to the penalty bench. Prior to the ensuing face-off, a Team B player receives a minor penalty. Are these minor penalties considered to be coincident?

Yes. Rule Reference 402(f).

Coincident minor penalties occur any time that they are assessed during the same stoppage of play.

**→ Situation 17**

The Referee has signaled a delayed minor penalty to player A1. During the delay, player B2 scores a goal and subsequently slashes a Team A player, after the goal, for which the Referee assesses a minor penalty. Are these two minor penalties considered to be coincident?

No. Rule References 402(f) and 409(b).

The goal nullifies the penalty to A1, thus the only penalty to be assessed is the penalty to B2.

**→ Situation 18**

Player A1 receives a double minor penalty and player B2 receives a minor penalty at 5:00. Both players enter the penalty bench and Team A plays short-handed by one player. Team B scores at 6:00, terminating the minor penalty to A1 that is being served. How much time does A1 have left to serve?

Two minutes. Rule References 402(f) and 409(e).

When the first penalty expires, either because of a goal or natural time expiration, the second (coincident) minor penalty begins.

---

**→ Situation 19**

Player A1 receives a double minor penalty and player B2 receives a minor penalty at 5:00. Both players enter the penalty bench and Team A is to play short-handed by one player. Is it necessary for Team A to place an additional player on the penalty bench?

Yes. Rule References 402(f) and 205(d).

Team A must place an additional player on the penalty bench to return to the ice upon the expiration of the non-coincident minor penalty to player A1.

---

**→ Situation 20**

Player A1 receives a minor plus a misconduct penalty and player B2 receives a minor penalty at 5:00. Both players enter the penalty bench immediately. Is it necessary for Team A to place an additional player on the penalty bench?

No. Rule Reference 402(f).

In this instance, the minor penalties assessed are coincident and offset. Thus, player A1 must serve both the minor and misconduct penalties. He is released from the penalty bench at the first stoppage of play following expiration of both penalties.

The additional player who might otherwise be required to enter the penalty bench is there for substitution purposes only when the minor penalty terminates. But since no on-ice player reduction occurred, there will be no substitution when the minor penalty terminates, thus no need for the additional player.

**→ Situation 21**

Both teams are skating at full strength when a Team A player is signaled for a minor penalty. The stoppage occurs when a Team B player commits a penalty infraction. Since the penalties were not simultaneous, does the Coincident Minor Penalty rule apply, allowing both teams to resume play at full strength?

Yes. Rule Reference 402(f).

The Referee will assess the penalties at the same time. The fact that the Team B penalty did not occur simultaneously is not a requirement of the “Coincident Minor Penalty” rule.

**→ Situation 22**

A Team A player receives a double minor at 3:00 elapsed in the first period. The opposing team does not score during the first minor. Exactly at 5:00 a minor penalty is assessed to a Team B player. Does the “Coincident Minor” rule apply?

No. Rule Reference 402(f).

Even though both minor penalties will start at the same time, the “Coincident Minor” rule does not provide for immediate substitution in such a situation.

**→ Situation 23**

Both teams are serving one non-coincident minor penalty and the Referee is signaling an additional minor penalty to Team A. Play stops when Team B scores a goal. Does any penalty terminate?

The signaled penalty is not assessed. Rule References 402(c) and 409(f).

The teams were at equal strength when the goal was scored. Team A would have been assessed a minor penalty if a goal had not been scored. That delayed penalty does not make the team short-handed. The signaled penalty is canceled, just as it would if both teams were at full strength when the goal was scored. If the non-offending team replaces the goalkeeper with a player during the delayed penalty, their on-ice numerical strength has not changed.

➔ **Situation 24**

In the following penalty situations, which penalty, if any, expires as the result of the goal scored?

***One player assessed a double minor or a major plus a minor penalty.***

<b>TIME</b>	<b>TEAM A</b>	<b>TEAM B</b>	<b>ANSWER</b>
3:00	X- 2+2		No one returns
4:30		Goal	
The first minor penalty to X terminates. His second minor penalty begins at 4:30. Double minor penalties are treated as two separate penalties.			

3:00	X- 2+2		X returns
5:30		Goal	
The first penalty has expired so the second penalty terminates.			

3:00	X- 5+2		No one returns
4:30		Goal	
The major penalty must be served first.			

3:00	X- 5+2		X returns
8:30		Goal	
The major penalty has expired so the minor penalty terminates.			

***Two players on the same team assessed combinations of minor and major penalties.***

<b>TIME</b>	<b>TEAM A</b>	<b>TEAM B</b>	<b>ANSWER</b>
3:00	X- 2		X returns
4:00	Y- 2		
4:45		Goal	
The minor penalty to X had less time remaining than Y's			

3:00	X- 2		X returns
4:00	Y- 5		
4:45		Goal	
The only minor penalty being served is X's.			

TIME	TEAM A	TEAM B	ANSWER
3:00	X- 5		Y returns
4:00	Y- 2		
4:45		Goal	
The only minor penalty being served is Y's.			
3:00	X- 2+2		No one returns
4:00	Y- 2		
4:45		Goal	
The first minor penalty to X terminates. It had less time remaining than Y's			
3:00	X- 2+2		Y returns
4:00	Y- 2		
5:30		Goal	
The second penalty to X began at 5:00. The minor penalty to Y began before the second penalty to X. Double minor penalties are always treated as two separate minor penalties.			
3:00	X- 5+2		Y returns
4:00	Y- 2		
4:45		Goal	
X must serve his major penalty first. A major penalty cannot terminate as the result of a goal scored.			
3:00	X- 5+2		Y returns
7:30	Y- 2		
8:05		Goal	
The minor penalty to X began at 8:00. The minor penalty to Y terminates as this penalty had the lesser time remaining.			
4:00	X- 5+2		Both X and Y return
7:00	Y- 2		
9:00		Goal	
The minor penalty to Y and the major penalty to X have expired. The minor penalty to X terminates as a result of the goal.			

<b>TIME</b>	<b>TEAM A</b>	<b>TEAM B</b>	<b>ANSWER</b>
3:40	X- 5+2		Captain's choice of
8:40	Y- 2		X or Y return
9:10		Goal	

The major penalty has already expired. The minor penalties to X and Y are scheduled to expire at the same time.

***Three players on the same team assessed a combination of minor and major penalties. "Sig." = the infraction is being signaled by the Referee when the goal is scored.***

<b>TIME</b>	<b>TEAM A</b>	<b>TEAM B</b>	<b>ANSWER</b>
3:00	X- 2		X returns; Team A
3:30	Y- 2		remains short-
4:00	Z- 2		handed by 2 players
4:30		Goal	

The minor penalty to X had less time remaining than Y's. The delayed penalty to Z starts at 4:30.

3:00	X- 2		X and Y return;
3:30	Y- 2		Team A will be
4:00	Z- 2		short-handed by
5:15		Goal	one player

The penalty to X expired, and the minor penalty to Y had less time remaining than Z's. The delayed penalty to Z began at 5:00, upon the expiration of the penalty to X.

3:00	X- 2		X returns and the
3:30	Y- 2		signaled penalty to
Sig.	Z- 2		Z is assessed; Team
4:30		Goal	A remains short-
			handed by 2 players.-

The penalty to X had less time remaining than Y's. Only one minor penalty can be terminated as the result of a goal scored.

TIME	TEAM A	TEAM B	ANSWER
3:00	X- 2		Y returns and the
3:30	Y- 2		signaled penalty to
Sig.	Z- 2		Z is assessed; (X
5:15		Goal	returned at 5:00); Team A will be short handed by one player.

The penalty to Y was the only minor penalty being served at the time of the goal.

3:00	X- 5		Y returns and the
3:30	Y- 2		signaled penalty to Z
Sig.	Z- 2		is assessed; Team A
4:30		Goal	remains shorthanded by 2 players.

A major penalty cannot terminate as the result of a goal scored. The penalty to Y was the only minor penalty being served at the time of the goal.

***One player on each team assessed a combination of minor and major penalties.***

TIME	TEAM A	TEAM B	ANSWER
3:00	X- 2		No one returns
3:30		B- 2	
4:15		Goal	

The teams were at equal numerical strength at the time of the goal, so no penalty may be terminated.

3:00	X- 2+2		No one returns
3:30		B- 2	
4:15		Goal	

The teams were at equal numerical strength at the time of the goal, so no penalty may be terminated.

3:00	X- 5+2		No one returns
3:30		B- 2	
4:15		Goal	

The teams were at equal numerical strength at the time of the goal, so no penalty may be terminated.

<b>TIME</b>	<b>TEAM A</b>	<b>TEAM B</b>	<b>ANSWER</b>
3:00	X- 5+2		No one returns
8:30		B- 2	
9:40		Goal	

The major penalty to X has expired, but the teams were still at equal numerical strength at the time of the goal.

***Unequal number of players assessed a combination of minor and major penalties.***

<b>TIME</b>	<b>TEAM A</b>	<b>TEAM B</b>	<b>ANSWER</b>
3:00	X- 2		X returns
3:30		B- 2	
4:00	Y- 2		
4:30		Goal	

The minor penalty to X had less time remaining than the minor to Y.

3:00	X- 2		X returns
3:30	Y- 2		
4:00		B- 2	
4:30		Goal	

The minor penalty to X had less time remaining than the minor to Y.

3:00		B- 2	X returns
3:30	X- 2		
4:00	Y- 2		
4:30		Goal	

The minor penalty to X had less time remaining than the minor to Y.

3:00		B- 2	X returns
3:30	X- 2		
4:00	Y- 5		
4:30		Goal	

The minor penalty to X is the only Team A penalty eligible for termination.

TIME	TEAM A	TEAM B	ANSWER
------	--------	--------	--------

3:00	X- 2		X returns
------	------	--	-----------

3:30		B- 5	
------	--	------	--

4:00	Y- 2		
------	------	--	--

4:30		Goal	
------	--	------	--

The minor penalty to X had less time remaining than the minor to Y.

3:00	X- 2		X returns
------	------	--	-----------

3:30		B- 2	
------	--	------	--

4:00	Y- 5		
------	------	--	--

4:30		Goal	
------	--	------	--

The minor penalty to X is the only Team A penalty eligible for termination.

3:00	X- 2		X returns
------	------	--	-----------

3:30		B- 5	
------	--	------	--

4:00	Y- 5		
------	------	--	--

4:30		Goal	
------	--	------	--

The minor penalty to X is the only Team A penalty eligible for termination.

3:00	X- 5		Y returns
------	------	--	-----------

3:30	Y- 2		
------	------	--	--

4:00		B- 2	
------	--	------	--

4:30		Goal	
------	--	------	--

The minor penalty to Y is the only Team A penalty eligible for termination.

3:00	X- 5		Y returns
------	------	--	-----------

3:30		B- 2	
------	--	------	--

4:00	Y- 2		
------	------	--	--

4:30		Goal	
------	--	------	--

The minor penalty to Y is the only Team A penalty eligible for termination.

<b>TIME</b>	<b>TEAM A</b>	<b>TEAM B</b>	<b>ANSWER</b>
3:00	X- 2		X returns
3:30	Y- 5		
4:00		B- 2	
4:30		Goal	
The minor penalty to X is the only Team A penalty eligible for termination.			

3:00		B- 5	X returns
3:30	X- 2		
4:00	Y- 2		
4:30		Goal	
The minor penalty to X had less time remaining than the minor to Y.			

3:00	X- 2+2		First minor penalty to X terminates.
3:30		B- 2	
4:00	Y- 2		
4:30		Goal	
The first minor penalty to X had less time remaining than Y's. On-ice numerical strength remains unchanged when play resumes.			

3:00	X- 2		X returns; Team A is still serving two penalties.
3:15	Y- 2		
3:30		B- 2	
3:35	Z- 2		
4:00		Goal	
The minor penalty to X had less time remaining than Y's. The delayed minor penalty to Z begins at 4:00.			

3:00	X- 2		X and Y return
3:15	Y- 2		
3:30		B- 2	
3:35	Z- 2		
5:10		Goal	
The penalty to X has expired at 5:00. The minor penalty to Y had less time remaining than Z's (which began at 5:00).			

***An equal number of opposing players are assessed penalties at the same time.***

TIME	TEAM A	TEAM B	ANSWER
3:00	X- 5+2	B- 2+2	No one returns
4:30		Goal	

Both teams were at equal numerical strength at the time of the goal. The minor penalty to X and one of the minors to B offset, thus Team A will play short handed 5 minutes and Team B for 2 minutes.

3:00	X- 5+2	B- 5	The player serving the minor for X returns.
4:30		Goal	

The coincident major penalties were offset, thus the minor penalty started immediately.

3:00	X- 2		X returns
3:30	Y- 2	B- 2	
4:30		Goal	

The minor penalty to X is the only penalty being displayed on the penalty clocks.

3:00	X- 2	B- 2	Y returns
3:30	Y- 2		
4:30		Goal	

At 3:00 both teams remained at full numerical strength because the coincident minor penalties to X and B are offset. Y's minor penalty is the only penalty eligible for termination.

3:00	X- 2	B- 2	No one returns
3:30	Y- 5		
4:00		Goal	

At 3:00 both teams remained at full numerical strength because the coincident minor penalties to X and B are offset. A major penalty cannot expire as the result of a goal.

<b>TIME</b>	<b>TEAM A</b>	<b>TEAM B</b>	<b>ANSWER</b>
3:00	X- 2	B- 5	X returns
3:30	Y- 2		
4:30		Goal	
Each team received one penalty at the same time (3:00), but those minor and major penalties are not considered as “coincident.” The minor penalty to X had less time remaining than Y’s.			
3:00	X- 2	B- 5	X returns
3:30	Y- 5		
4:30		Goal	
As in the previous example, the two penalties at 3:00 are not considered as “coincident.” The minor penalty to X is the only penalty eligible for termination.			
3:00	X- 2		X returns
3:30	Y- 5	B- 5	
4:30		Goal	
The minor penalty to X is the only penalty eligible for termination. The major penalties are coincident and are offset.			
3:00	X- 5		No one returns
3:30	Y- 2	B- 2	
4:30		Goal	
The coincident minor penalties to Y and B offset. A major penalty cannot terminate as the result of a goal scored.			
3:00	X- 5		Y returns
3:30	Y- 2	B- 5	
4:30		Goal	
As explained previously, the penalties at 3:30 are not considered “coincident.” The minor penalty to Y is the only penalty eligible for termination.			

TIME	TEAM A	TEAM B	ANSWER
3:00	X- 2+2	B- 2	The player serving the minor for X returns.
3:30	Y- 2		
4:30		Goal	

The first minor penalty to X and the minor penalty to B are coincident. The second minor penalty to X began at 3:00, and had less time remaining than Y's minor penalty. X must remain on the penalty bench until the first stoppage at or after 6:30.

3:00	X- 2+2	B- 5	The first minor penalty to X expires (the team remains short-handed)
3:30	Y- 2		
4:30		Goal	

As explained previously, penalties at 3:00 are not considered "coincident." The first minor penalty to X had less time remaining than Y's minor.

3:00	X- 2	B- 2	Z returns
3:30	Y- 5		
4:00	Z- 2		
4:30		Goal	

At 3:00 both teams remained at full numerical strength. The coincident minor penalties to X and B are offset. The minor penalty to Z is the only penalty eligible for termination.

3:00	X- 2		X returns
3:30	Y- 5	B- 2	
4:30		Goal	

Team A is short-handed, and the minor penalty to X is the only penalty eligible for termination.

3:00	X- 2		X returns
3:30	Y- 5	B- 2	
4:00	Z- 2		
4:30		Goal	

The minor penalty to X is the only penalty eligible for termination. The delayed penalty to Z begins at 4:30.

***An unequal number of opposing players are assessed penalties at the same time.***

<b>TIME</b>	<b>TEAM A</b>	<b>TEAM B</b>	<b>ANSWER</b>
3:00	X- 2 Y- 2	B- 2	Captain's choice of X or Y's penalty to terminate
4:30		Goal	
The minor penalties to X and Y are scheduled to expire at the same time. The coincident minor penalties to B and either X or Y (Captain's choice at the time the penalties are assessed) are offset.			
3:00	X- 2 Y- 5	B- 2	No one returns
4:30		Goal	
Team A is short-handed by reason of a major penalty. A major penalty cannot terminate as the result of a goal scored. The coincident minor penalties to X and B are offset.			
3:00	X- 2 Y- 2	B- 5	Captain's choice of X or Y's penalty to terminate
4:30		Goal	
The minor penalties to X and Y are scheduled to expire at the same time.			
3:00	X- 2 Y- 5	B- 5	X returns
4:30		Goal	
Immediate substitution for B and Y are permitted because coincident major penalties are offset.			

TIME	TEAM A	TEAM B	ANSWER
3:00	X- 2+2 Y- 2	B- 2	Captain's choice (made when assessed).
4:30		Goal	<ul style="list-style-type: none"> <li>• If Y was coincident, X's first minor ends.</li> <li>• If X's first minor was coincident, either X's or Y's penalty ends.</li> </ul>

(see Note below)

The first penalty to X and the penalty to Y are scheduled to expire at the same time. The coincident minor penalties to B and either the first penalty to X or the penalty to Y (Captain's choice at the time the penalties are assessed) are offset. Team A choice to be one player shorthanded for 4 minutes or two players shorthanded for 2 minutes.

3:00	X- 2 Y- 2 Z- 2	B- 2	Captain's choice of X, Y or Z's penalty to terminate
4:30		Goal	

At 3:00, the Captain has to make a choice of which coincident minor penalty would be offset with the penalty to B. Upon the goal being scored, it is the Captain's choice of which of the remaining two penalties will expire.

3:00	X- 5 Y- 2 Z- 2	B- 2	Captain's choice of Y or Z's penalty to terminate
4:30		Goal	

At 3:00, the Captain has to make a choice of which coincident minor penalty would be offset with the penalty to B.

*Note to situation referenced above: Because of the coincident penalties, Team A had the choice to be one player short-handed for 4 minutes or two players short-handed for 2 minutes. Effects of this choice based on a goal against at 4:30 when play resumes:*

*One player short-handed for 4 minutes: Remaining penalty time is 2:00 for Player X. Two players short-handed for 2 minutes: Remaining penalty time is 0:30 for the "non-coincident" Player.*

***Specific examples that illustrate how the coincident minor penalty rule is to be applied.***

TIME	TEAM A		TEAM B	
	#10	#21	#3	#6
5:10	2 min.		2 min.	
Immediate substitution for #10 and #3. Both teams play at full on-ice strength.				
5:10	2 min.		2 min.	
	2 min.		2 min.	
Immediate substitution for #10 and #3. Both teams play at full on-ice strength.				
5:10	2 min.	2 min.	2 min.	2 min.
Immediate substitution for #10, #21, #3 and #6. Both teams play at full on-ice strength.				
5:10	2 min.	2 min.	2 min.	
			2 min.	
Immediate substitution for #10 , #21 and #3. Both teams play at full on-ice strength.				
5:10	2 min.		2 min.	
			2 min.	
Immediate substitution for #10. Substitution for #3 after 2 minutes. An additional player shall be immediately placed on the penalty bench to “serve” the first minor penalty to #3.				
5:10	2 min.		5 min.	
			2 min.	
Immediate substitution for #10. Substitution for #3 after 5 minutes. An additional player shall be immediately placed on the penalty bench to “serve” the major penalty to #3.				
5:10	5 min.		2 min.	
			2 min.	
No substitution. All penalties are served by the penalized players. They return upon expiration.				

TIME	TEAM A		TEAM B	
	#10	#21	#3	#6
5:10	2 min.		2 min.	2 min.
Immediate substitution for #10. Captain's choice of immediate substitution for #3 or #6. Team B will play short-handed for 2 minutes.				
5:10	2 min.	2 min.	2 min. 2 min.	2 min.
Immediate substitution for #10, #21, and #3. Team B will play short-handed for 2 minutes.				
5:10	2 min.		2 min. 2 min.	2 min.
Immediate substitution for #10. Captain's choice of a.) immediate substitution for #6 (team plays short-handed by one player for 4 minutes), OR b.) offsetting the first minor penalty to #3, placing an additional player on the penalty bench to "serve" the minor penalty to #3 and skating short-handed by two players for 2 minutes.				

***Always offset an equal number of minor penalties, regardless of the number of players receiving those penalties. Equal time penalties to an equal number of players is not a requirement in the application of the Coincident Minor Penalty rule.***

**Here are a couple of hints to grasp the penalty termination concept:**

***Take note of the first minor penalty time which properly goes onto the penalty clock.*** As long as that penalty is being served, it terminates if that team is scored upon and they are below the on-ice numerical strength of the scoring team. The order of subsequent penalties doesn't matter.

***Make sure your Penalty Timekeeper doesn't put coincident minors on the penalty clocks.*** This will really complicate your decision-making, and selling your call, if times show on the clock and both teams are still skating at full strength.

**RULE 403 MAJOR PENALTIES****→ Situation 1**

The Referee assesses a minor penalty to a player and it is announced as such. Before the ensuing face-off he decides that the situation warrants a major penalty to be called instead of the minor penalty. Should he change the minor penalty even though it has already been announced?

Yes. Rule Reference 403(a).

Even though this is a situation that the Referee must try to avoid, he is still required to change the call. The Referee will probably receive some criticism from the offending team for changing his call. Referees are advised, however, to take their time when making decisions of this nature and make the correct call.

---

**→ Situation 2**

A player has been assessed a second major penalty in the same game. At the time the penalty is assessed, the Penalty Timekeeper fails to notify the Referee that the player has just received his second major in one game, calling for a game misconduct penalty. The situation is brought to the attention of the Referee after several plays following the incident. What action should the Referee take?

Assess the game misconduct penalty as soon as the Referee becomes aware of the omission. Rule Reference 403(b).

The offending team must place a substitute player on the penalty bench before the expiration of the penalty.

**→ Situation 3**

A player has been assessed a second major penalty in the same game. The Referee is not aware of the fact that the player had received two major penalties in the same game and thus should have been assessed a game misconduct penalty. What happens if the player later scores a goal while illegally in the game?

In this instance, the goal shall be allowed; however, the player must be assessed the required game misconduct at the time the omission is discovered. Rule References 403(b) and 625(j).

The onus of assessing the game misconduct penalty is on the Game Officials. A team cannot be denied any goals scored by a player who should not have been in the game. If the omission is discovered after the game, the Referee shall still assess the game misconduct penalty.

**→ Situation 4**

Is a major penalty ever considered to be “coincident” with a match penalty?

Yes. The Coincident Major Penalty rule should be applied with major against major, then match against match. If there are any remaining major and match penalties to the opposing teams, then offset major against match. Rule References 403(c) and 405(b).

One objective of the Coincident Major Penalty rule is to maximize players on the ice when players are assessed penalties. Otherwise the teams would be required to play for extended periods at less than full on-ice numerical strength. This also increases the possibility of creating complex penalty stacking if additional penalties are assessed.

*The following “Coincident Major Penalty Chart” explains which major penalties offset others.*

TIME	TEAM A		TEAM B	
	#10	#21	#3	#6
3:30	5 min.		5 min.	
Immediate substitution for #10 and #3.				
3:30	2 min.		2 min.	
	5 min.		5 min.	
Immediate substitution for #10 and #3.				
3:30	2 min.		5 min.	
	5 min.			
Immediate substitution for #3. Substitution for #10 after 2 minutes.				
3:30	5 min.		5 min.	2 min.
Immediate substitution for #10 and #3. #6 returns after 2 minutes.				
3:30	5 min.		5 min.	
	5 min.			
Immediate substitution for #3. Substitution for #10 after 5 minutes. #10 receives a game misconduct for second major.				
3:30	2 min.		2 min.	
	2 min.		5 min.	
	5 min.			
Immediate substitution for #3. Substitution for #10 after 2 minutes.				
3:30	2 min.		5 min.	
	2 min.		5 min.	
	5 min.			
Substitution for #10 after 4 minutes. Substitution for #3 after 5 minutes. #3 receives a game misconduct for second major.				
3:30	5 min.	5 min.	5 min.	5 min.
Immediate substitution for all players.				
3:30	2 min.	5 min.	5 min.	2 min.
	5 min.		5 min.	
Immediate substitution for all players. #3 receives a game misconduct for second major.				

TIME	TEAM A		TEAM B	
	#10	#21	#3	#6
3:30	2 min. 5 min.	5 min.	5 min.	5 min.
Immediate substitution for #21, #3 and #6. Substitution for #10 after 2 minutes.				
3:30	5 min. 5 min.	5 min.	5 min.	5 min.
Immediate substitution for #10, #3 and #6. #21 returns after 5 minutes. #10 receives a game misconduct for second major.				
3:30	2 min. 5 min.	5 min.	5 min.	
Immediate substitution for #3. Team A choice to offset major to #21 (to be 1 player short-handed for 7 minutes) or major to #10 (to be 2 players short-handed for 2 minutes, then 1 player short-handed for 3 minutes).				
3:30	5 min. 5 min.	5 min.	5 min.	
Immediate substitution for #3. Team A choice to offset major to #21 (to be 1 player short-handed for 10 minutes) or major to #10 (to be 2 players short-handed for 5 minutes). #10 receives a game misconduct for second major.				
3:30	5 min.	5 min.	5 min.	
Immediate substitution for #3 and either 10 or #21. The remaining penalty is served.				
3:30	2 min. 5 min.		5 min.	5 min.
Immediate substitution for #3 or #6. The other major must be served. Substitution for #10 after 2 minutes.				
3:30	5 min. 5 min.		5 min.	5 min.
Immediate substitution for all players. #10 receives a game misconduct for second major.				
3:30	2 min. 5 min.		2 min.	5 min.
Immediate substitution for all players.				
3:30	2 min. 5 min.	2 min.	2 min. 2 min.	5 min.
Immediate substitution for all players.				

TIME	TEAM A		TEAM B	
	#10	#21	#3	#6
3:30	5 min. 5 min.	2 min.	2 min. 5 min.	5 min.
Immediate substitution for all players. #10 receives a game misconduct for second major.				
3:30	2 min. 5 min.		5 min.	2 min. 2 min.
Immediate substitution for #10 and #3. Substitution for #6 after 2 minutes.				
3:30	2 min. 5 min.	5 min.	2 min. 2 min. 5 min.	5 min. 5 min.
Immediate substitution for #10 and #21. Team B choice: 1) Substitution for #3 after 2 minutes and for #6 after 5 minutes, or 2) Substitution for #3 after 7 minutes. #6 receives a game misconduct for second major.				
3:30	2 min. 5 min.	5 min. 5 min.	2 min. 2 min. 5 min.	5 min.
Immediate substitution for #10 and #6. Substitution for #21 after 5 minutes. Substitution for #3 after 2 minutes. #21 receives a game misconduct for second major.				
3:30	2 min. 2 min.	5 min. 5 min.	2 min. 5 min.	2 min. 5 min.
Immediate substitution for all players. #21 receives a game misconduct for second major.				
3:30	Match		Match	
Immediate substitution for both players.				
3:30	Match		5 min.	
Immediate substitution for both players.				
3:30	5 min. Match		5 min.	
Immediate substitution for #3. Substitute for #10 after 5 minutes.				

***Rule references for this table are 403(c) and 402(f)***

**RULE 404 MISCONDUCT PENALTIES****→ Situation 1**

If a player receives a misconduct penalty in addition to a minor or major penalty, may his team wait until the penalty is near expiration before placing the additional player on the penalty bench?

No. Rule Reference 404(a).

Once the player is assessed the misconduct in addition to another penalty, his team must place an additional player on the penalty bench immediately, unless the penalized player was substituted on the ice (such as under the coincident minor and major rules).

**→ Situation 2**

A player is assessed a minor or major penalty in addition to a game misconduct penalty. Who must serve the minor or major penalty?

Any non-penalized player, except a goalkeeper. Rule References 403(b) and 404(a,c).

The player designated to serve the penalty must enter the penalty bench immediately, unless the penalized player was substituted on the ice (such as under the coincident minor and major rules).

**→ Situation 3**

Is it possible for a player to be assessed more than one game misconduct penalty in the same game?

Yes. Rule Reference 404(c).

A player could have been assessed a major plus game misconduct penalty for injuring an opponent with a high stick and then be the first to intervene in an altercation involving other players which calls for a game misconduct penalty. Both game misconduct penalties must be assessed.

**→ Situation 4**

A team (Midget and below) is assessed 14 minor, 3 misconduct and 2 game misconduct penalties during a game. Is the Head Coach suspended for the next game of his team in this situation?

Yes. Rule Reference 404(d).

When the total number of assessed and recorded penalties equals or exceeds 15, the Head Coach is suspended for the next one game of his team.

---

**→ Situation 5**

At the 13:45 mark of the third period a team (Midget and below) is assessed its fifteenth penalty. Is the Head Coach immediately removed from the bench and assessed a game misconduct penalty?

No in both instances. Rule Reference 404(d).

The game suspension to the Head Coach that is called for is served during the next game of that team that is already on the schedule. A Head Coach is never removed from the current game for an infraction of this rule.

---

**→ Situation 6**

A team (Midget and below) is assessed 15 penalties during a game. Can the Assistant Coach or Manager serve the subsequent game suspension that is called for in this situation?

No. Rule Reference 404(d).

The Head Coach designated on the scoresheet for that game shall serve the suspension. Thus, if the Assistant Coach was designated as Head Coach for that game, he shall serve the game suspension.

**→ Situation 7**

During a game (Midget and below) the Head Coach is assessed a game misconduct penalty and the Assistant Coach takes control of the team. Later in the game that team incurs its fifteenth penalty. What suspensions are served?

Both coaches are suspended for the next game of that team. Rule Reference 404(d).

Once the Head Coach is removed from the game the Assistant Coach assumes the responsibility for the team. Conversely, if the game misconduct assessed to the Head Coach happens to be the fifteenth penalty to the team, he shall serve both game suspensions.

**→ Situation 8**

A player (Midget and below) is assessed a minor plus a misconduct penalty. Does this infraction count as one or two penalties toward the cumulative penalty rule?

Two. Rule Reference 404(d).

Even though there has been only one infraction of the rules, there are two penalties assessed for this infraction.

**→ Situation 9**

A player (Midget and below) is assessed a major and a game misconduct penalty which also constitutes his fifth penalty in that game. For how many games is the player to be suspended?

Assuming this was not his second major penalty of the game, he shall be suspended for two games. Rule Reference 404(d) Note 1.

He receives a one game suspension for the major and game misconduct penalty assessed, and a one game suspension for his second game misconduct penalty (incurring five penalties in one game).

**→ Situation 10**

During a delayed penalty signal to Team A, Team B scores a goal. The signaled penalty is not assessed. Is the signaled infraction included in the cumulative penalty rules for players and teams (Midget and below)?

Yes. Rule Reference 409(b).

---

**→ Situation 11**

The Referee is signaling a minor plus a misconduct penalty to a Team A player (Midget and below) for Checking from Behind. During the delay, Team B scores a goal. The Referee correctly assesses only the misconduct portion of the infraction. How many penalties apply toward the cumulative penalty rule?

Both penalties are counted. Rule Reference 409(b).

---

**→ Situation 12**

Do coincident minor penalties apply toward the cumulative penalty rule (Midget and below)?

Yes. Rule Reference 404(d).

Even though no penalty time is displayed on the clock, the penalties are still counted towards the 5/15 rule.

---

**→ Situation 13**

Does a Penalty Shot apply toward the cumulative penalty rule (Midget and below)?

Yes. Rule Reference 404(d).

Since the non-offending team has the option of a minor penalty or a Penalty Shot, their decision does not affect this rule.

**→ Situation 14**

A defending player (Midget and below) deliberately displaces the goal with his goalkeeper off the ice, clearly preventing a goal. The Referee correctly awards a goal to the non-offending team. Does this infraction (deliberately displacing the goal) apply toward the cumulative penalty rule?

No. Rule Reference 404(d).

Since a goal was awarded on the play, the infraction is not recorded or served.

**→ Situation 15**

During a game, a player (Midget and below) receives five penalties and his team is assessed fifteen penalties, both calling for game suspensions. How are these game suspensions reported?

The Referee shall note these infractions on the scoresheet and notify the proper authorities. Rule Reference 404(d).

**→ Situation 16**

May a player who is serving a suspension for a game misconduct be on the players' bench or penalty bench for that game, not in uniform, assisting with opening doors or other functions?

No. Rule Reference 404(c & e).

The player's suspension involves all team and game capacities that might otherwise be available to that player if unable to play in the game for any reason other than suspension.

**RULE 405 MATCH PENALTY****→ Situation 1**

A player is assessed a Match Penalty. Under what circumstances must the team place a substitute player on the penalty bench?

In all instances except when coincident major or match penalties are assessed. Rule References 405(b) and 403(c).

If the coincident major rule permits immediate substitution, the team is not required to place a substitute player on the penalty bench.

If the coincident major rule permits offsetting of part of that player's penalty (i.e., he received a Minor penalty plus a Match penalty and an opposing player received a Match penalty), a substitute player must immediately enter the penalty bench to serve the penalty disparity.

If the team must skate short-handed for the full duration of the Match Penalty, a substitute player must enter the penalty bench before the expiration of the Match Penalty. Rule Reference 405(a).

---

**→ Situation 2**

In general, what types of non-physical actions would constitute the assessment of a Match Penalty?

Match Penalties are assessed for actions that are socially unacceptable and have absolutely no place in the hockey environment. Rule Reference 404(e).

Match penalties should not be assessed for infractions that are otherwise covered in the Rule Book. For example, obscene gestures are covered under Rule 601 and call for a Game Misconduct penalty. A Match penalty must never be assessed for verbal abuse, unless physical harm is threatened.

**→ Situation 3**

The Coach is removed from the bench and assessed a Match penalty. He refuses to leave the immediate area of the players' bench so he can direct the play of his team. What penalties shall be assessed to the Coach or his team?

A bench minor penalty shall be assessed to the team of the offending Coach for Refusal to Start Play. Rule References 404(g) and 632(a).

If, after the bench minor penalty has been assessed, the Coach still refuses to move, the Referee shall have police security, if available, remove the Coach from the area. If police security is not available, the Referee must work through the team Captain explaining to him that the Coach's actions will only further hurt the team. In most instances the Captain can help to remove the Coach.

**→ Situation 4**

Who serves a Match penalty assessed to a team official?

The penalty shall be served by a player who was on the ice at the time of the Match penalty infraction. Rule Reference 405(e).

The Match penalty to a team official is treated in the same manner as a bench minor penalty for purposes of identifying the player to serve the penalty.

**RULE 406 PENALTY SHOT****→ Situation 1**

Can a team change its goalkeeper to defend against a penalty shot?

Yes. Rule Reference 406(a).

The goalkeeper who was in the goal at the time of the infraction is not required to defend against the penalty shot. If the team wishes to change goalkeepers for the penalty shot, the change must be made immediately. However, a non-goalkeeper may not defend against the shot.

---

**→ Situation 2**

When the substitute goalkeeper enters the goal for the purpose of defending against a penalty shot, can the original goalkeeper resume his position after the shot has been completed?

Yes. Rule References 406(a) and 205(e).

---

**→ Situation 3**

During a Penalty Shot attempt, the puck rebounds off the goal post, hits the back of the goalkeeper's leg and enters the goal. Should the goal be awarded or disallowed?

The goal shall be awarded. Rule Reference 406(a).

Even though Rule 406(a) states that no goal shall be scored on a rebound, this situation is not considered to be a "rebound." The word "rebound" in 406(a) means a second shot by the player after a deflection off the goalkeeper or goal post.

---

**→ Situation 4**

During a penalty shot attempt, the puck is shot over the goal, rebounds off the glass, hits the goalkeeper in the back and enters the goal. Should the goal be allowed?

No. Rule Reference 406(a).

Rule 406(a) specifically states that any time the puck crosses the goal line, the play shall be considered complete.

---

**→ Situation 5**

On a penalty shot attempt, the player, after touching the puck at center ice, loses control of the puck. This forces him to go back and retrieve the puck which is still in motion towards the opponent's goal line. Should the shot be terminated at this point?

No. As long as the puck continues in motion toward the opponent's goal line, the player may go back to retrieve it. Rule Reference 406(a).

However, once the puck is touched by the player taking the shot, if possession and control is lost and it travels toward the opposite goal or comes to a stop, the Referee shall have no alternative but to terminate the penalty shot attempt.

---

**→ Situation 6**

Is a player taking a penalty shot permitted to skate behind his own goal, without the puck, before attempting to score on the opposing goalkeeper?

Yes. Rule Reference 406(a).

A player may wind up in his own Defending Zone without the puck. However, once the player taking the shot touches the puck, he must skate directly toward the opposing goal.

---

**→ Situation 7**

Is a player taking a penalty shot permitted to carry the puck into his Defending Zone before continuing in on goal?

No. Rule Reference 406(a).

Once the player taking the shot touches the puck, he must skate directly toward the opposing goal. The Referee must inform the player of this restriction before the player is allowed to attempt the penalty shot.

**→ Situation 8**

A player on a penalty shot attempt carries the puck into the Attacking Zone backwards. As he crosses the blue line, he loses control of the puck momentarily. Should the Referee call the off-side violation?

No. Rule Reference 406(a).

Because play is not considered to be in progress, off-sides cannot be called on a player during a penalty shot attempt.

---

**→ Situation 9**

What criteria must be met in order for a penalty shot to be assessed when a player on a break-away is fouled from behind by an opponent?

1.) The fouled player must have possession and control of the puck. 2.) The fouled player must be beyond his Defending Zone. 3.) The fouled player must have no opponent to pass except the goalkeeper. 4.) The fouled player must have been fouled from behind (beyond his peripheral vision). 5.) The fouled player must have been deprived of a reasonable scoring opportunity. Rule References 406(c) and 639(b).

If any of these required criteria are not met, a penalty shot must not be awarded and the proper penalty, if any, must be assessed in the normal manner.

---

**→ Situation 10**

Team A has been awarded a penalty shot due to a foul committed by a player of Team B. Can the goalkeeper of Team B go to the players' bench to receive instructions, prior to the commencement of the penalty shot, without being changed?

No. Rule References 406(b) and 205(e & f).

If the goalkeeper goes to his players' bench, he must be replaced or a bench minor penalty assessed to his team. Any instructions must be relayed to him by a player of his team while he remains in the goal area prior to the penalty shot.

---

**→ Situation 11**

What happens if the goalkeeper commits a minor or major penalty infraction during a penalty shot attempt?

The Referee shall allow the shot to be taken over if a goal was not scored on the original attempt, and assess the penalty to the goalkeeper. Rule References 406(b) and 409(f).

Any penalty must be assessed as if it occurred during the normal course of the game. The goalkeeper penalty must be served by a player on the ice at the time play was stopped to assess the penalty shot.

---

**→ Situation 12**

During a penalty shot attempt, the goalkeeper deliberately dislodges the goal when the shooter is at the top of the face-off circles. What penalties, if any, should be assessed?

A second attempt shall be awarded and a minor penalty for delaying the game shall be assessed to the goalkeeper. Rule References 406(b), 609(c) and 409(f).

The play must be stopped immediately in this instance.

---

**→ Situation 13**

A defending player throws his stick at the puck in his Defending Zone, however the puck was last in possession of a defending player. The Referee stops play and awards a penalty shot to the non-offending team. Which player shall take the penalty shot?

Any player who was on the ice at the time of the infraction. The Captain of the non-offending team must designate such player. Rule References 406(c) and 636(a)-Note 1.

**→ Situation 14**

Player #10 of Team A, in his Attacking Zone, carries the puck in front of his opponent's goal. The goalkeeper throws his stick and hits the puck, deflecting it away from player #10. The Referee signals a delayed penalty shot. During the delay, player #10 of Team A commits an infraction that calls for a minor penalty. When play stops the Referee awards a penalty shot to #10 and also assesses him the minor penalty. Is he allowed to take the penalty shot before going to the penalty bench to serve his penalty?

Yes. Rule References 406(c & d) and 636(a)-Note 1.

Assuming the team accepts the penalty shot, player #10 is allowed to complete the shot before serving his penalty. Had the infraction called for a Game Misconduct or Match Penalty, however, player #10 would not be allowed to take the shot and the Captain must select a player, on the ice at the time of the infraction, to take the shot.

---

**→ Situation 15**

During a penalty shot attempt, what happens if the player taking the shot is injured by reason of a high sticking penalty infraction by the goalkeeper?

The Referee must assess a major and a game misconduct penalty to the goalkeeper. He will also allow the shot to be taken over if a goal was not scored on the original shot. Rule References 406(c) and 617(b).

If the injured player is unable to take another shot, the Referee must allow the shot to be taken over by any other player who was on the ice at the time of the original infraction.

---

**→ Situation 16**

What happens if a player designated to take a penalty shot refuses to surrender his stick or breaks the stick intentionally when asked to surrender it for measurement before the shot is taken?

The offending player shall be assessed a minor penalty plus a misconduct. Rule References 406(d) and 301(e).

He shall be allowed to take the shot before serving his penalty, but he may not use the stick in question.

**→ Situation 17**

A player to whom a penalty shot has been awarded is assessed a Match penalty before the penalty shot has been taken. Who shall take the shot?

A teammate, other than a goalkeeper, who was on the ice at the time of the infraction shall take the shot. Rule Reference 406(d).

**→ Situation 18**

A penalty shot is awarded. While the shot is being taken another puck is thrown onto the playing surface. What procedure should the Referee follow?

Allow the play to continue. Rule References 406(f) and 630(b).

If, however, in the opinion of the Referee, either the player taking the shot or the goalkeeper is unfairly interfered with or distracted by the illegal puck, the Referee may, at his discretion, stop the play and order the penalty shot to be taken over.

**→ Situation 19**

The Referee has signaled a delayed minor penalty for charging on Team A. Team B maintains possession of the puck and a Team B player is fouled from behind on a break-away resulting in a penalty shot call. Is the minor penalty assessed in the normal manner and if so, what happens if a goal is scored on the penalty shot?

The penalized player of Team A (with the minor penalty) must be sent to the penalty bench and the minor penalty should be announced. The penalty shot is to be conducted in the normal manner. Rule Reference 406(h).

Whether or not the shot is successful, the minor penalty for charging that was assessed to Team A is served. If that penalty is not assessed, if Team B scores on the penalty shot, then two penalties would, in effect, be nullified.

**→ Situation 20**

A goal is scored on a penalty shot against a team that is below the on-ice numerical strength of its opponent due to a minor penalty. Does the minor penalty expire because of the goal scored?

No. Rule References 406(h) and 402(c) Note.

The goal scored on the penalty shot does not affect any additional penalty being served or signaled. To do so would be, in effect, terminating two penalties for the same goal.

---

**→ Situation 21**

With an attacking player in the Attacking Zone on a break-away, a stick is thrown from the opposing team's players' bench and as a result the Referee assesses a penalty shot. Should the Referee also assess a bench minor penalty for throwing the stick?

No. Rule References 406(h), 636(a) and 601(c.2).

---

**→ Situation 22**

With the defending goalkeeper in goal and with his team short-handed by a minor penalty, an attacking player on a break-away in his Attacking Zone is hooked down from behind. While the Referee is signaling a delayed penalty shot, the fouled player, while maintaining possession of the puck, gets to his feet and scores a goal. What penalty should the Referee assess?

A minor penalty for hooking. Rule References 406(h) and 402(c) Note.

Since the non-offending team scored on the play, a penalty shot cannot be assessed and the minor penalty for hooking is assessed to the offending player. The minor penalty being served is terminated. In order for a penalty shot to be awarded, the five criteria for a penalty shot must be present. Since the non-offending team did not lose a reasonable scoring opportunity, a penalty shot cannot be assessed.

**→ Situation 23**

With the defending goalkeeper in goal and with his team short-handed by a minor penalty, an attacking player on a break-away in his Attacking Zone is hooked down from behind. While the Referee is signaling a delayed penalty shot, a teammate of the fouled player gains possession of the puck and scores a goal. What penalty should the Referee assess?

A minor penalty for hooking. Rule References 406(h) and 402(c) Note.

Since the non-offending team scored on the play, a penalty shot cannot be assessed and the minor penalty for hooking is assessed to the offending player. The minor penalty being served is terminated. In order for a penalty shot to be awarded, the five criteria for a penalty shot must be present. Since the non-offending team did not lose a reasonable scoring opportunity (because they scored on the extended play), a penalty shot cannot be assessed.

**→ Situation 24**

During a penalty shot attempt and before the player takes the shot, the goalkeeper poke-checks the puck. The puck reverses direction, strikes the leg of the player taking the shot, and goes directly into the goal. Is this a legal goal?

No. Rule Reference 406(a).

When the goalkeeper poke-checked the puck, there was a change of possession and the puck was no longer proceeding in a forward direction relative to the goal line. However, if the goalkeeper poke-checked the puck without reversing direction and it deflected off of the player who is now between the goalkeeper and the goal, the goal would count. This would apply as long as the player did not direct the puck into the goal in any manner.

**→ Situation 25**

Does a penalty shot apply toward the cumulative penalty rule (Midget and below)?

Yes. A penalty is recorded on a penalty shot. See Situation 404-13.

**RULE 407 GOALKEEPER PENALTIES****→ Situation 1**

A goalkeeper is assessed a minor penalty for which his team places a substitute player on the penalty bench. Prior to the completion of the ensuing face-off the goalkeeper is assessed a minor penalty for Unsportsmanlike Conduct. Can this penalty be added to the penalty that his substitute is serving?

Yes. Rule Reference 407(a).

It is not necessary to send another player who was on the ice at the time of the infraction to the penalty bench. In this case, “on the ice at the time of the infraction” refers to the time from when the infraction occurs to when the ensuing face-off is completed.

---

**→ Situation 2**

A goalkeeper is assessed a minor penalty for which his team places a substitute player on the penalty bench. Prior to the completion of the ensuing face-off the substitute player is assessed a minor penalty for Unsportsmanlike Conduct. Can this penalty be added to the penalty that his substitute is serving?

No. Rule Reference 407(a).

This is a penalty to a designated player who has not yet begun serving the goalkeeper’s penalty. Thus the team must designate another player who was on the ice at the time of the goalkeeper’s penalty to serve that penalty. The originally designated player also serves a minor penalty for Unsportsmanlike Conduct. Thus the team will be short-handed by two players for two minutes.

---

**→ Situation 3**

The Team A goalkeeper is assessed a minor penalty for which the team places a player who was on the ice at the time of the infraction on the penalty bench. While the penalty is being served, the substitute player who is on the penalty bench is assessed a minor penalty for Unsportsmanlike Conduct. Is the minor penalty added to the penalty he is currently serving for the goalkeeper or is the team required to place another player on the penalty bench to serve the remainder of the first penalty?

The minor penalty is added to the first penalty that the player is serving for the goalkeeper. Rule Reference 407(a).

The player who is serving the penalty to the goalkeeper is a substitute player who serves the goalkeeper's penalty as if it were assessed to him.

---

**→ Situation 4**

A goalkeeper is assessed a minor penalty for which his team places a substitute player on the penalty bench. Following resumption of play, the goalkeeper is assessed an additional minor penalty. Can this penalty be added to the penalty that his substitute is serving?

No. Rule Reference 407(a).

This penalty must be served by a player who was on the ice at the time of the second infraction to the goalkeeper. Once play resumes, the player designated to serve the first goalkeeper penalty serves it as though it was assessed on him.

---

**→ Situation 5**

Who would serve the penalty for a substitute goalkeeper on the players' bench who incurs a penalty?

Any player designated by the Coach, other than a goalkeeper, who was on the ice at the time of the infraction. Rule Reference 407(a).

This situation is treated the same as a bench minor penalty assessed to a team.

---

**→ Situation 6**

A team's goalkeeper is injured and his team elects to designate a temporary goalkeeper, as they do not have a substitute goalkeeper. The temporary goalkeeper is assessed a minor penalty. Is he required to serve the penalty and may another player become the temporary goalkeeper?

No to both questions. Rule Reference 407(a) and Glossary.

The Glossary specifically states that the temporary goalkeeper is governed by goalkeeper privileges and limitations. Rule 407(a) states that the goalkeeper shall not be sent to the penalty bench for an offense which results in a minor, major or misconduct penalty. These penalties must be served by another player on the ice when the penalty infraction is committed.

---

**→ Situation 7**

A goalkeeper is assessed a minor penalty for slashing. He proceeds to verbally abuse the Referee and is assessed a minor penalty for Unsportsmanlike Conduct. He continues the abuse and is assessed a misconduct penalty for continued abuse. Who serves the penalties for the goalkeeper?

A player on the ice at the time of the infraction shall serve all penalties, and it shall be necessary to place an additional player on the penalty bench immediately, who shall be allowed to return to the ice upon the expiration of the minor penalties. Rule References 407(a) and 601(a).

---

**→ Situation 8**

The Referee signals a delayed penalty on the goalkeeper of Team A. During the delay Team A changes all players. Are the officials required to memorize the numbers of the players who left the ice surface and make one of them serve the penalty?

Yes. Rule Reference 407(a).

The Rule Book clearly states that the player designated to serve the goalkeeper's penalty must be on the ice at the time of the infraction, not necessarily a player who is on the ice at the next stoppage of play. The Off-Ice Officials may be used to assist in this situation.

**→ Situation 9**

Player A of the Red Team is serving a minor penalty. The Blue Team has possession of the puck and the Red Team's goalkeeper commits an infraction. The Referee immediately signals a delayed penalty. During the period of the delay, the penalty to player A terminates and he returns to the ice. The Red Team gains possession of the puck, play is stopped and the penalty to the goalkeeper is reported. Is player A allowed to serve the penalty for the goalkeeper?

No. Rule Reference 407(a).

He must be on the ice at the time the offense was committed in order to be eligible to serve the penalty to the goalkeeper.

**→ Situation 10**

If a goalkeeper receives a major and a game misconduct penalty for slashing, does the player designated to serve the major penalty have to enter the penalty bench immediately?

No. Rule Reference 403(b).

A player designated to serve the major penalty of another teammate must enter the penalty bench before the expiration of the major penalty, unless the coincident major penalty rule applies.

**→ Situation 11**

A goalkeeper has been assessed a misconduct penalty. The substitute player who is serving the penalty is on the penalty bench, but before play resumes the goalkeeper is assessed a game misconduct penalty. Should the player serving the misconduct penalty be allowed to return to the game?

Yes. Rule References 407(a & b).

The goalkeeper is sent to the dressing room for the remainder of the game and replaced by the substitute goalkeeper. The substitute player serving the misconduct penalty is allowed to return to the game immediately.

**→ Situation 12**

An altercation occurs in the vicinity of the goal crease and the goalkeeper leaves his crease to remain out of the altercation. Should he be assessed a penalty for leaving his crease during an altercation?

No. Rule Reference 407(d).

The Referee should direct the goalkeeper to go to his players' bench or at least away from the altercation. However, if the Referee does not give his permission and the goalkeeper gets involved in the altercation outside of the crease, the minor penalty must be assessed.

---

**→ Situation 13**

A goalkeeper leaves the vicinity of his goal crease and is the first player to intervene in an altercation. What penalties must be assessed?

A minor penalty for leaving the crease, plus a game misconduct for being the first to intervene in an altercation, plus any other penalty he may receive. Rule References 407(d) and 613(d).

---

**→ Situation 14**

A goalkeeper in the act of going to his players' bench is over the center red line when he is accidentally struck by the puck. Is a minor penalty for playing the puck over the center red line applicable?

No. Rule Reference 407(e).

The goalkeeper is not considered to be participating in the play if the puck contact was accidental.

---

**→ Situation 15**

Would it be considered legal for a goalkeeper whose skates are beyond the center red line to play the puck which is still on the same side of center red line as the goal he is defending?

No. Rule Reference 407(e).

A minor penalty would be assessed to the goalkeeper. In this situation the determining factor is the position of the goalkeeper's skates and not the puck.

**RULE 408 DELAYED PENALTIES****→ Situation 1**

During the game, through injuries and penalties, a team is unable to place four players on the ice. Can the game proceed?

No. Rule References 408(a) and 201(a).

Any time a team is reduced to below four players on the ice during a game for any reason, the game shall be forfeited. Players on the penalty bench with delayed penalties are not permitted to leave the penalty bench until their penalties begin.

**→ Situation 2**

Team A is short-handed by reason of three minor penalties to different players. As play continues, the first penalty expires; however, this player cannot go onto the ice until the next stoppage. If the second penalty also expires, which player, if any, returns to the ice before a stoppage?

The first player whose penalty expires returns to the ice. Rule Reference 408(b).

When two of the three penalties have expired, the team is entitled to have five players on the ice, and the players return to the ice in the order that their penalties expire. Carried further, when the third penalty expires, still without a stoppage of play, the second penalized player may go onto the ice. The third player must wait until the next stoppage of play before he can leave the penalty bench because his team already has a full team on the ice.

**→ Situation 3**

Team A has two players serving non-coincident minor penalties. Team B has one player serving a minor penalty. The teams are then assessed coincident minor penalties. Is the coincident minor penalty to the Team A player delayed until the first Team A penalty expires?

No. Rule References 408(a) and 402(f).

Coincident minor penalties are served immediately and are never considered under the delayed penalty rule.

---

**→ Situation 4**

Team A has three players on the penalty bench serving non-coincident minor penalties. When the minor penalty to the first player expires, the Penalty Timekeeper erroneously allows him to go onto the ice. Play continues for 20 seconds at which time Team A scores. What procedure should the Referee follow when he becomes aware of the situation prior to the ensuing face-off?

The Referee must disallow the goal and leave all penalty and game times unchanged. Rule References 408(b) and 625(d, e & i).

Even though this situation is a Timekeeper's error, the clock cannot be reset due to an inadvertent penalty expiration error.

To help prevent this situation from occurring, the Referee must alert the Penalty Timekeeper to the potential of the situation at the time of the assessment of the third minor penalty.

**RULE 409 CALLING OF PENALTIES****→ Situation 1**

A face-off is about to be conducted in the Attacking Zone of Team A. Before the puck is dropped, a player of Team A receives a minor, major or any other penalty. Where is the ensuing face-off?

At the nearest Neutral Zone face-off spot. Rule References 409(a) and 611(f).

Whenever an infringement of a rule has been committed by a member of the attacking team in the Attacking Zone, the ensuing face-off shall be taken to the nearest Neutral Zone face-off spot.

**→ Situation 2**

Team A commits an infraction in its Defending Zone. Before play can be stopped, the puck enters the Attacking Zone of Team A. When play is stopped in Team A's Attacking Zone, where is the ensuing face-off?

At the nearest Neutral Zone face-off spot. Rule References 409(a) and 611(f).

In this situation, the ensuing face-off cannot be conducted in the Attacking Zone of a team that has just committed an infraction.

**→ Situation 3**

A Team A player commits a penalty infraction while Team B has possession of the puck in Team B's Defending Zone. During the delayed calling of the penalty, Team B advances the puck into its Attacking Zone whereupon a Team B player commits a penalty infraction. Play is stopped immediately and both penalties are assessed. Where is the ensuing face-off?

At the nearest Neutral Zone face-off spot. Rule References 409(a) and 611(f).

The two infractions did not occur at the same time even though they will be recorded as such, and the reason play was stopped was because of the infraction committed by an attacking player in his Attacking Zone.

**→ Situation 4**

Player A1 has committed an infraction calling for a misconduct penalty while Team B is in possession of the puck. How does the Referee indicate that the infraction has occurred?

He does not signal the infraction in any way. Rule Reference 409(b) Note 1.

As soon as Team A acquires possession and control of the puck, he will blow the whistle to stop play and assess the penalty. The reason for not signaling is that this penalty is not considered a “team” penalty, but rather a “player” penalty. A result of the Referee signaling the penalty would be the substituting of a sixth skater for the Team B goalkeeper, and Team B is not entitled to this advantage.

---

**→ Situation 5**

A delayed penalty is to be called on Team A. Team B pulls their goalkeeper. Team B, in possession of the puck, attempts a pass which deflects off a player of Team A and enters the Team B goal. Is the goal allowed?

Yes. The goal is allowed and the minor penalty is assessed. Rule References 409(b) Note 2 and 409(c).

The deflection (by Glossary definition) shall not be considered to be “possession and control.”

---

**→ Situation 6**

On a delayed penalty call to a player who is about to be assessed a major penalty for slashing plus a minor penalty for unsportsmanlike conduct, a goal is scored by the non-offending team. Is any penalty terminated?

Yes, the minor penalty for unsportsmanlike conduct is nullified and the team will only be short-handed for the duration of the major penalty. Rule Reference 409(b).

The order in which the two penalties were to be assessed has no effect on whether or not the minor is to be nullified.

**→ Situation 7**

Player A1 has committed an infraction calling for a minor penalty. The Referee signals the infraction immediately, but cannot stop play because Team B has possession of the puck. During this delay he observes another minor penalty committed by Team A. How shall he signal this second infraction?

No further signal is given. Rule Reference 409(b).

At the time of the infraction, the Referee is the only person who knows that the second infraction is to be assessed also. Upon possession and control of the puck by Team A, the Referee shall assess both penalties in the normal manner.

**→ Situation 8**

Can a player against whom a delayed penalty is signaled be credited with the scoring of a goal?

Yes. Rule References 409(c) and 614(b).

Whenever a player of the non-offending team shoots the puck into his own goal without any action from the offending team, and the player to be assessed the penalty was the last player on the offending team to touch the puck, he shall be credited with the goal.

**→ Situation 9**

With the goalkeeper off the ice for an extra player during a delayed calling of a penalty, a player of the non-offending team (Player X) has possession of the puck in front of his own unguarded goal. A player of the offending team (Player Y) swings his stick so that it makes contact with Player X's stick, thereby causing the puck to enter the goal. Is the goal a legal goal?

No. Rule Reference 409(c).

The puck entered the goal as a direct result of the action of the offending team.

**→ Situation 10**

During play the Referee signals a delayed penalty (a minor plus a misconduct) on a Team A player for Checking from Behind. During the period of the delayed whistle, Team B scores. What penalty, if any, must be served by the Team A player?

Only the misconduct penalty is served. Rule Reference 409(b & e).

The penalized player must serve the full time portion of the misconduct penalty; however, the penalized player's team will not be short-handed on the ice. If, for example, the penalty had been a major plus a game misconduct, the offending team would be required to put a substitute player on the penalty bench to serve the major portion of the penalty.

**SECTION FIVE**  
**OFFICIALS**





**Rule 501 Appointment of Officials**

- (a) For Regional and National Championships, the District Referee-in-Chief or his duly appointed representative shall appoint the Referees and Linesmen.  
Tournament officials shall appoint a Game Timekeeper, a Penalty Timekeeper, an Official Scorer and two Goal Judges.
- (b) Referee System-The official method of refereeing USA Hockey games is with a Referee and two Linesmen. However, Districts or Regions are authorized to use two Referees for games under their jurisdiction. When reference is made to Linesmen under Rule 503 (all clauses) the duties of the Linesmen will be carried out by both Referees in the two-official system.

**Rule 502 Referee**

- (a) The "REFEREE" shall have general supervision of the game and shall have full authority over all game officials, team officials and players before, during and after the game, including stoppages; and in case of any dispute, his decision shall be final. The Referee may not change the decision, or that of any other official, after the resumption of play following the rendering of the original decision.  
On-Ice Officials should enter the ice surface prior to warm-ups and remain on the ice at the conclusion of each period until all players have proceeded to their dressing rooms. Penalties may also be assessed during the warm-up period.
- (b) All On-Ice Officials shall wear black trousers, official sweaters and a black hockey helmet, with helmet strap fastened. It is strongly recommended that all On-Ice Officials wear a half-shield visor properly attached to their helmets. All On-Ice Officials shall wear the current USA Hockey officiating crest on the left chest of the sweater during all games. Any other crest that is worn must be located on either arm of the sweater. They shall be equipped with whistles and metal tape measures with minimum length of six feet. The wearing of name-plates shall be regulated by each League.

- (c) The Referee shall order the teams on the ice at the appointed time for the beginning of a game and at the commencement of each period. If for any reason there are more than 15 minutes delay in the commencement of the game or any undue delay in resuming play after the 15 minute intervals between periods, the Referee shall state in his report to the proper authorities the cause of the delay and the team or teams that were at fault.
- (d) When he becomes aware of any lack of conformity to the regulations on equipment, it shall be his duty to see that the required equipment is in use.
- (e) The Referee shall, before starting a game, see that the appointed Game Timekeeper, Penalty Timekeeper, Official Scorer and Goal Judges are in their respective places, and satisfy himself that the timing and signaling equipment is in order.
- (f) It shall be his duty to impose such penalties as are prescribed by the rules for infractions thereof, and he shall give the final decision in matters of disputed goals. The Referee may consult with the Linesmen or Goal Judges before making his decision.
- (g) The Referee shall announce to the Official Scorer or Penalty Timekeeper all goals and assists legally scored as well as penalties, and for what infractions such penalties are imposed.

The Referee shall cause to be announced over the public address system the reason for not allowing a goal every time the goal signal light is turned on in the course of play. This shall be done at the first stoppage of play regardless of any signal given by the Referee when the goal signal light was put on in error.

The Referee shall report to the Official Scorer the name or number of the goal scorer and any players entitled to assists.

*(Note) The name of the scorer and any player entitled to an assist will be announced on the public address system. In the event that the Referee disallows a goal for any violation of the rules, he shall report the reason for disallowance to the Official Scorer who shall announce the Referee's decision over the public address system.*

*The infraction of the rules for which each penalty has been imposed will be announced correctly, as reported by the Referee, over the public address system. Where players of both teams are penalized on the same play, the penalty to the visiting player will be announced first.*

- (h) The Referee shall see to it that players of opposing teams are separated on the penalty bench to prevent feuding.
- (i) If, through misadventure or sickness, the Referee and/or Linesmen appointed are prevented from appearing, the Managers or Coaches of the two teams shall agree on a Referee and Linesmen. If they are unable to agree, they shall appoint a player from each team who shall act as Referee and Linesman; the player of the home team acting as Referee, and the player of the visiting team as Linesman.
- (j) If the regularly appointed officials appear during the progress of the game, they shall at once replace the temporary officials.
- (k) Should an appointed Linesman be unable to act at the last minute or through sickness or accident be unable to finish the game, the Referee shall have the power to appoint another, in his stead, if he deems it necessary, or if required to do so by the Manager or Coach of either of the competing teams.
- (l) If for any reason one Official is unable to continue to officiate (three-official system), the game shall be officiated with one Referee/one Linesman or with two Referees as mandated by the local governing body.
- (m) The Referee shall check team rosters and all players in uniform before signing reports of the game.

### **Rule 503** Linesman

- (a) The duties of the "LINESMAN" are to determine any infractions of the rules concerning off-side play at the blue lines or any violation of the "Icing the Puck" rule.  
He shall stop play when the puck goes outside the playing area, when it is interfered with by any ineligible person, when it is struck above the height of the shoulder, when it is passed to a teammate with the hand and when the goal post

has been displaced from its normal position. When he is in the near vicinity of the goal, he shall stop play when he observes the puck enter the goal. He shall stop play for off-sides occurring at the face-off circles. He shall stop play when there has been a premature substitution for a goalkeeper under Rule 205(a) (Change of Players), for injured players under Rule 206(e), and interference by spectators under Rule 622(a).

- (b) He shall conduct the face-off at all times, except at the start of the game, at the beginning of each period and after a goal has been scored.

The Referee may call upon a Linesman to conduct a face-off at any time.

- (c) He shall, when requested to do so by the Referee, give his version of any incident that may have taken place during the playing of the game.

- (d) He shall not stop play to report any penalty except any violation of Rule 205(a) and (c), Change of Players (too many players on the ice) and any violation of Rules 601(c.2) and 601(h.3) (articles thrown on the ice from vicinity of players' or penalty bench), and he shall report such violation to the Referee who shall impose a bench minor penalty against the offending team.

He shall report immediately to the Referee his version of the circumstances with respect to Rule 609(c) (delaying the game by deliberately displacing the goal post from its normal position).

He shall report to the Referee at the next stoppage of play his version of any infraction of the rules that he believes constitutes a bench minor, major, match, misconduct, game misconduct or penalty shot under these rules, or any Injury Potential Penalty (See Glossary) that occurs behind the play and is not observed by the Referee. The Referee, at his discretion, may assess a penalty for such infractions.

- (e) Should an Official accidentally leave the ice or receive an injury that incapacitates him from discharging his duties while play is in progress, the game shall be immediately stopped by an On-Ice Official.

**Rule 504 Goal Judge**

- (a) There shall be one "GOAL JUDGE" at each goal. They shall not be members of either team engaged in a game, nor shall they be replaced during its progress unless after the commencement of the game it becomes apparent that either Goal Judge, on account of partisanship or any other cause, is guilty of giving unjust decisions, in which case the Referee may appoint a replacement.
- (b) Goal Judges shall be stationed behind the goals during the progress of play, in properly screened cages, so that there can be no interference with their activities; and they shall not change goals during the game.
- (c) In the event of a goal being claimed, the Goal Judge of that goal shall decide whether or not the puck has passed between the goal posts, under the crossbar and entirely over the goal line. His decision is simply "goal" or "no goal."

**Rule 505 Penalty Timekeeper**

- (a) The "PENALTY TIMEKEEPER" shall keep, on the official forms provided, a correct record of all penalties imposed by the On-Ice Officials including the names of the players penalized, the infractions penalized, the duration of each penalty and the time at which each penalty was imposed. He shall report to the Referee any player or Team Official who is in violation of Rule 404(d) (Game Misconduct). He shall report in the Penalty Record each penalty shot awarded, including the infraction and the name of the offending player, the name of the player taking the shot and the result of the shot.
- (b) The Penalty Timekeeper shall check and ensure that the time served by all penalized players is correct. He shall be responsible for the correct posting of all penalties on the scoreboard at all times and shall promptly call to the attention of the Referee any discrepancy between the time recorded on the clock and the official correct time and he shall be responsible for making any adjustments ordered by the Referee.

He shall, upon request, give a penalized player correct information as to the unexpired time of his penalty.

*(Note 1) The infraction of the rules for which each penalty has been imposed will be announced twice over the public address system as reported by the Referee. Where players of both teams are penalized on the same play, the penalty to the visiting player will be announced first.*

*(Note 2) Misconduct penalties and coincident minor or major penalties should not be recorded on the timing device, but such penalized players should be alerted and released at the first stoppage of play following the expiration of their penalties.*

### **Rule 506 Official Scorer**

- (a) Before the start of the game, the "OFFICIAL SCORER" shall obtain from the Manager or Coach of both teams a list of all eligible players of each team, which information shall be made known to the opposing team Manager or Coach before the start of play, either personally or through the Referee.
- The Official Scorer shall secure the names of the Captain and Designated Alternate(s) from the Manager or Coach and will so indicate by placing the letter "C" or "A" opposite their names on the scoresheet. For Youth and Girls/Women games (19-or-younger), prior to the start of the game the Official Scorer shall obtain on the scoresheet the signatures of all coaches of each team, one of whom shall be designated as Head Coach, along with the CEP card number, CEP level and the year the CEP level was attained for each coach. This information shall be presented to the Referee for his signature at the completion of the game.
- (b) The Official Scorer shall keep a record of the goals scored, the scorers and players to whom assists have been credited, and shall indicate those players on the lists who have actually taken part in the game. He shall also record the time of entry into the game of any substitute or temporary goalkeeper. He shall record on the Official Scoresheet a notation where a goal is scored when the goalkeeper has been removed from the ice.
- (c) The awards of points for goals and assists shall be announced over the public address system and all changes in such awards shall also be announced in the same manner.

No requests for changes in any award of points shall be considered unless they are made at or before the conclusion of actual play in the game by the team Captain.

- (d) The Official Scorer shall also prepare the Official Scoresheet for signature by the Referee and forward it to the proper authorities.

### **Rule 507 Game Timekeeper**

- (a) The "GAME TIMEKEEPER" shall signal the Referee and the competing teams for the start of the game and each succeeding period, and the Referee shall start the play promptly in accordance with Rule 637 (Time of Match). To assist in assuring the prompt return to the ice of the teams and On-Ice Officials, the Game Timekeeper shall give a preliminary warning three minutes prior to the resumption of play in each period.
- (b) If the rink is not equipped with an automatic gong, bell or siren, or if such device fails to function, the Game Timekeeper shall signal the end of each period by ringing a gong or bell or by blowing a whistle.
- (c) He shall cause to be announced on the public address system at the appropriate time in each period that there is one minute remaining to be played in the period.
- (d) The Game Timekeeper shall not sound the horn or buzzer during play to notify the Referee of a malfunction of the clock or any other equipment. He shall note the time and, when play is stopped, notify the Referee of the problem. In the event of any dispute regarding time, the matter shall be referred to the Referee for adjustment and his decision shall be final.

### **Rule 508 Proper Authorities**

- (a) The term "proper authorities" or "proper disciplinary authority" as applied under these rules is defined as the governing body of the team or teams involved, as determined by the Affiliate.

# CASEBOOK FOR OFFICIALS

## **RULE 502** REFEREE

### → Situation 1

How should a Referee handle the situation involving another On-Ice Official who uses a tobacco product on the ice during a game?

The Referee should immediately inform the Official that this practice is strictly prohibited and must cease immediately. Rule Reference 502(a).

Since players and Team Officials are prohibited from using a tobacco product during a game, this restriction also applies to all On-Ice and Off-Ice Officials.

---

### → Situation 2

Does the Referee have the authority to prohibit teams from proceeding through the “hand shake” line following an unusually rough or chippy game?

Yes. Rule Reference 502(a).

The Referee is charged with the general supervision of the game. It is well within his authority to prohibit this common practice of a “hand shake” line in the event that he feels a problem may arise if the teams are allowed to shake hands. The Referee must be sure to use good judgment in arriving at this decision.

---

### → Situation 3

A goal is scored; however, before the play resumes the Linesman notifies the Referee that the play should have been called for icing. What should the Referee do?

The Referee must disallow the goal and the face-off would take place at the normal icing face-off spot. Rule References 502(a & f) and 503.

**→ Situation 4**

A Linesman has determined that a major penalty infraction has occurred unseen by the Referee and is waiting for the next stoppage of play to report to the Referee. The next stoppage of play occurs when the offending team scores a goal, whereupon the Linesman reports his version of the infraction. The Referee concurs that a major penalty should be assessed. What procedures does the Referee follow?

Disallow the goal and assess the penalty. Rule References 502(a & f) and 503(d).

Linesmen cannot stop play, but must wait for the first stoppage of play to report their version of the incident to the Referee.

**→ Situation 5**

When should an On-Ice Official wear the USA Hockey crest on his sweater?

In all USA Hockey sanctioned games. Rule Reference 502(b).

This would include all USA Hockey sanctioned games in which only one of the participating teams is registered with USA Hockey. The crest should never be worn when officiating non-USA Hockey sanctioned games.

**→ Situation 6**

What is the proper procedure for Officials to follow if a regularly scheduled On-Ice Official either does not show up for a game or becomes incapacitated and cannot finish the game?

In a Two Official System, the Coaches or Managers of each team shall agree upon a replacement Referee to replace the Official. Preferably the replacement will have some USA Hockey officiating experience. If the Coaches cannot agree upon the replacement Official, one player from each team shall be appointed.

If the Referee (Three Official System) does not show up or becomes incapacitated, the local governing body determines if the two Officials shall work under the Two Referee or one Referee/one Linesman system. In the absence of such directive, the two officials shall make the determination. The more experienced Linesman becomes the Referee if one Referee will be used. The same procedure would be used if one Linesman does not show or becomes incapacitated. Rule References 502(i, k & l) and 503(e).

**Note to Situation 6:** It is important that the above guidelines are followed so that insurance coverage for all participants (players, Team Officials, On-Ice Officials) will remain intact.

---

**→ Situation 7**

Why does USA Hockey endorse only one system for three Officials?

From an education perspective, it is most effective to select one system and establish a training program for one system.

Upon review of all officiating systems and the traditional one Referee and two Linesman system that is used in minor professional hockey and by the International Ice Hockey Federation, USA Hockey believes this to be the far superior system. It is thus the only system accepted at USA Hockey National Championships for Youth, Girls/Women, Adult checking classifications and Juniors and is the preferred officiating system for all levels of play.

**→ Situation 8**

May the Referee authorize a change on the scoresheet of a goal or assist after play has resumed?

Yes. Rule Reference 502(a).

This is not interpreted as a changed decision, but rather a change in statistics. The Referee may not add or delete the goal after play has resumed. This includes after a game.

**→ Situation 9**

May the Referee change an assessed penalty any time after play resumes if it is realized that a penalty was incorrectly assessed according to the playing rules?

No. Rule Reference 502(a).

The Referee may not add, change, or delete a penalty after play has resumed following penalty assessment. This includes after a game. If a rule has been misapplied, the Referee is obligated to inform the governing body so that a modification could be possible under “Supplementary Discipline” (Rule 410).

**RULE 503 LINESMAN****→ Situation 1**

A Linesman has dropped the puck during a Neutral Zone face-off and as he backs away is accidentally tripped. As a result, he is unable to determine from which zone the puck was shot for icing purposes. Who determines the outcome of the play?

His partner. Rule Reference 503(a).

It is the responsibility of the other Linesman to cover for his partner while he is incapacitated and his decision will determine the outcome of the play.

---

**→ Situation 2**

In conducting an end zone face-off, whose responsibility is it to blow the whistle for the first premature entry into the circle by a player who is positioned behind the Linesman conducting the face-off?

The back Linesman is responsible for stopping the play for encroachment of players behind his partner's back. Rule References 503(a) and 611.

If the encroachment continues, after a few attempts at conducting the face-off, it is the responsibility of the Referee to assist in lining up the players or assessing a minor penalty for Delaying the Game.

---

**→ Situation 3**

In conducting an end zone face-off, whose responsibility is it to blow the whistle for the first premature entry into the circle by a player who is facing the Linesman who is conducting a face-off?

The Linesman who is conducting the face-off blows the whistle to stop play for encroachment in this instance. Rule References 503(a) and 611.

If the encroachment continues, after a few attempts at conducting the face-off, it is the responsibility of the Referee to assist in lining up the players or assessing a minor penalty for Delaying the Game.

**→ Situation 4**

On the delayed calling of a penalty, who has the responsibility for watching the exchange of players if a team substitutes for the goalkeeper?

The back Linesman. Rule Reference 503(a).

He shall do so by pointing to the players' bench, thereby acknowledging the fact that he is observing the change.

---

**→ Situation 5**

May a Linesman call a penalty shot where a player is fouled from behind on a break-away and the Referee has not observed the infraction?

No. Rule References 503(c & d).

He must give his version of a potential penalty shot infraction to the Referee at the next stoppage of play.

---

**→ Situation 6**

The Team A coach verbally abuses the Linesman, an infraction calling for a bench minor penalty, but for which the Linesman cannot stop play. What signal, if any, is employed by the Linesman and what procedures does he follow?

No signal is employed. Rule Reference 503(d).

The Linesman cannot stop play. He must report the infraction to the Referee at the first stoppage of play.

---

**→ Situation 7**

If a Linesman sees that a team has too many players on the ice, should he raise his arm to signal a delayed penalty?

No. Rule Reference 503(d).

He should stop the play when the offending team gains possession and control of the puck. No delayed signal is to be employed by the Linesman for this penalty.

**→ Situation 8**

What constitutes an “injury potential penalty?”

By the Glossary definition, an “injury potential penalty” is an infraction that is classified as an aggressive foul (i.e., high sticking, checking from behind, cross checking, etc.). Rule Reference 503(d) and Glossary.

The determining factor as to whether or not an infraction is an “injury potential infraction” is the penalty infraction itself. An injury to a player or goalkeeper is not a necessary requirement for a penalty to be classified as an “injury potential penalty.”

---

**→ Situation 9**

What guidelines should be followed by the Linesman when determining whether or not to report an infraction that has occurred behind the play?

The infraction must: 1) constitute an “injury potential” penalty (see Glossary), 2) occur behind the play, 3) be a very obvious infraction, and 4) have been unobserved by the Referee. Rule References 503(d) and Glossary.

The Linesman cannot stop play for this infraction; however, he must report such penalty immediately after the next stoppage occurs. The Referee shall have the final decision regarding the assessment of the penalty. If he elects to assess the penalty, any goal scored by the offending team on that play would be disallowed.

***For Linesman’s procedures also see the USA Hockey Officiating Manuals.***

**RULE 504 GOAL JUDGE****→ Situation 1**

Immediately following a save by the goalkeeper, the puck lands directly on the goal line. The Goal Judge turns the light on, signifying that a goal has been scored. The Referee clearly sees that the puck has not completely crossed the goal line. The attacking team promptly requests that the Referee consult with the Goal Judge. Is it necessary for the Referee to do so?

No. Rule References 504(c) and 502(a).

The Goal Judge should only be consulted when the Referee has not seen the play completely. Since the Referee has the final decision to make, there is no need to consult the Goal Judge in this instance.

**RULE 505 PENALTY TIMEKEEPER****→ Situation 1**

The Penalty Timekeeper enters coincident minor penalty time on the penalty clocks, and this action is not noticed by the Referee until play has resumed. Should this penalty time display be corrected at a stoppage of play, or allowed to continue until those penalties have expired?

The situation should be corrected at the first stoppage of play. Rule Reference 505(b).

While it may be argued that this display will give the teams accurate information regarding time remaining, there are a number of negatives that far outweigh the benefits. Examples:

- (a) Time will be indicated but the on-ice player count will not appear to be consistent.
- (b) Players and gate attendants typically react to expiring penalty time on the clocks, and a player who goes onto the ice will inadvertently create a “too many players on the ice” occurrence.
- (c) If a goal is scored and one team is short-handed, a coincident minor penalty may be erroneously terminated (if it has the least amount of time remaining).

The minimal time spent to remove coincident minor penalties from the penalty clocks may have significant benefits for the Referee’s “game management” process.

**RULE 506 OFFICIAL SCORER****→ Situation 1**

All the coaches on one of the teams refuse to sign the scoresheet and include the required information. May the game be played?

Yes. Rule Reference 506(a).

Incomplete information is not grounds to prevent a game from being played. The Official Scorer and the On-Ice Officials should report the incident to the proper authorities.

**→ Situation 2**

During a game in October, the coaches from one team do not have the proper Coaching Education Program certification level. They tell the Official Scorer that they will be attending a coaching seminar in November for the required level. Should the game be played?

Yes. Rule Reference 506(a).

The proper coaching certification must be completed by December 31. Even though this rule cannot be enforced until January 1, information is required on all scoresheets, regardless of the date of the game. This may also serve as a reminder to the team that additional coaching certification levels may be needed by one or more coaches on the team.



**SECTION SIX**  
**PLAYING RULES**





**Rule 601 Abuse of Officials and Other Misconduct**

*(Note) In the enforcement of this rule the Referee has, in many instances, the option of imposing a “bench minor penalty,” “minor penalty” or a “misconduct penalty.” In principle the Referee is directed to impose a “bench minor penalty” in respect to the violations that occur on or in the immediate vicinity of the players’ bench but off the playing surface, and in all cases affecting non-playing personnel or players. A “minor penalty” or “misconduct penalty” should be imposed for violations that occur on the playing surface or in the penalty bench area and where the penalized player is readily identifiable.*

*An infraction covered under Rules 601(a) through (c) that occurs after the game shall be initially penalized under Rule 601(d).*

- (a) Any player who challenges or disputes the rulings of any Official or endeavors to incite an opponent (including taunting) or create a disturbance during the game shall be assessed a minor penalty for unsportsmanlike conduct. If the player persists in such challenge or dispute, he shall be assessed a misconduct penalty, and any further dispute by the same player will result in a game misconduct penalty being assessed.
- (b) Any player who shoots the puck after the whistle has been blown shall be assessed a minor penalty for unsportsmanlike conduct if, in the opinion of the Referee, the player had sufficient time after the whistle to refrain from taking such shot.
- (c) If any player is guilty of any one of the following, his team shall be assessed a bench minor penalty:
  - (1) In the vicinity of the players’ bench, using obscene, profane or abusive language to any person or using the name of any Official coupled with any vociferous remarks.
  - (2) In the vicinity of the players’ bench or penalty bench, throwing anything into the playing area during the progress of the game or during a stoppage of play.
- (d) If any player is guilty of any one of the following, he shall be assessed a misconduct penalty:

- (1) Using obscene, profane or abusive language to any person on the ice or anywhere in the rink before, during or after the game.
  - (2) During a stoppage, intentionally knocking, throwing or shooting the puck out of reach of an Official who is retrieving it.
  - (3) Deliberately throwing the stick, or any other equipment, out of the playing area at any time except as indicated in Rule 636(c).
  - (4) After being penalized, not proceeding directly and immediately to the penalty bench and taking his place on the penalty bench, or to the dressing room, when so ordered by the Referee (gloves, stick, etc., shall be delivered to him at the penalty bench or dressing room by a teammate).
  - (5) Entering or remaining in the Referee's crease while the Referee is reporting to or consulting with any Game Official including Linesmen, Timekeeper, Penalty Timekeeper, Official Scorer or Announcer except for the purpose of taking his place on the penalty bench.
  - (6) Interfering in any non-physical manner with any Game Official including Referee, Linesman, Timekeepers or Goal Judges in the performance of their duties.
- (e) If any player is guilty of any one of the following, he shall be assessed a misconduct or game misconduct penalty:
- (1) Touching or holding the Referee, Linesman or any other Game Official with his hand or stick.
  - (2) Continuing or attempting to continue a fight or altercation after he has been ordered by the Referee to stop, or resisting the Linesman in the discharge of his duties.
  - (3) Intentionally banging the boards, protective glass, dasher boards or goal with a stick or any other instrument at any time. (If the offense is committed in protest of an official's decision, a minor penalty for unsportsmanlike conduct plus a misconduct or game misconduct shall be assessed the offending player.)

- (f) If any player is guilty of any one of the following, he shall be assessed a game misconduct penalty:
- (1) Persisting in any course of conduct for which he has previously been assessed a misconduct penalty.
  - (2) Using obscene gestures or racial/ethnic slurs on the ice or anywhere in the rink before, during or after the game.
- (g) If any player is guilty of any of the following, he shall be assessed a match penalty:
- (1) Deliberately inflicting physical harm to a Game Official in any manner or attempting to do so.  
*(Note) Any game official assessing a match penalty under Rule 601(g)1 shall file with their USA Hockey District Referee-in-Chief a written game report within 48 hours of the incident.*
  - (2) Deliberately injuring an opposing Team Official in any manner or attempting to do so.
  - (3) Behaving in any manner that is critically detrimental to the conducting of the game, including spitting at an opponent, spectator, game or team official, or verbally threatening a Game Official with physical harm.
- (h) If any Team Official is guilty of any one of the following, his team shall be assessed a bench minor penalty:
- (1) Banging the boards with a stick or other instrument at any time.
  - (2) Using obscene, profane or abusive language or abusive gestures (including taunting) to any person or using the name of any Official coupled with any vociferous remarks.
  - (3) Throwing anything into the playing area from the vicinity of the players' bench during the game or during a stoppage of play.
  - (4) Using threatening or abusive language or gestures or similar actions designed to incite an opponent into incurring a penalty.
  - (5) Interfering in any non-physical manner with any Game Official including the Referee, Linesman, Timekeepers or Goal Judges in the performance of their duties.

- (i) If any Team Official is guilty of any of the following, he shall be assessed a game misconduct penalty:
- (1) Using obscene gestures or racial/ethnic slurs on the ice or anywhere in the rink before, during or after the game.
  - (2) Persisting in any course of conduct for which the team has previously been assessed a bench minor penalty.
  - (3) Interfering in any physical manner with any Game Official, including the Referee, Linesman, Timekeepers or Goal Judges in the performance of their duties.
- (j) If any Team Official is guilty of any one of the following, he shall be assessed a match penalty:
- (1) Deliberately inflicting physical harm to a game official in any manner or attempting to do so.  
*(Note) Any game official assessing a match penalty under Rule 601(j)1 shall file with their USA Hockey District Referee-in-Chief a written game report within 48 hours of the incident.*
  - (2) Deliberately injuring a player or Team Official in any manner or attempting to do so.
  - (3) Behaving in any manner that is critically detrimental to the conducting of the game, including spitting at an opponent, spectator, game or team official, or verbally threatening a Game Official, opposing Team Official or opposing player with physical harm.

### **Rule 602** Adjustment to Clothing and Equipment

- (a) Play shall not be stopped, nor the game delayed by reason of adjustment to clothing, equipment, skates or sticks. For an infringement of this rule, a minor penalty for delay of game shall be assessed.
- (b) The onus of maintaining clothing and equipment in proper condition shall be upon the player. If adjustments are required, the player shall retire from the ice and play shall continue uninterrupted with a substitute.

- (c) No delay shall be permitted for the repair or adjustment of goalkeeper's equipment. If adjustments are required the goalkeeper will retire from the ice and his place will be taken by the substitute or temporary goalkeeper (See Glossary) immediately and no warm-up will be permitted unless the team uses its time-out. For an infraction of this rule by a goalkeeper, a minor penalty for delay of game shall be imposed.

### **Rule 603 Attempt to Injure/Deliberate Injury of Opponents**

- (a) A match penalty shall be imposed on any player who deliberately injures or attempts to injure an opponent and the circumstances shall be reported to the proper authorities for further action.
- (b) A match penalty shall be imposed on any player or Team Official who deliberately injures or attempts to injure a Team Official or Game Official in any manner and the circumstances shall be reported to the proper authorities for further action.
- (c) Any player wearing tape or any other material on his hands who cuts or injures an opponent during an altercation shall receive a match penalty under this rule.

### **Rule 604 Board-Checking**

- (a) A minor or a major penalty, at the discretion of the Referee based upon the degree of violence of the impact with the boards, shall be imposed on any player who body-checks, cross-checks, elbows, charges or trips an opponent in such a manner that causes the opponent to be thrown violently into the boards.

*(Note) Any unnecessary contact with a player playing the puck on an obvious "icing" or "off-side" play that results in that player being knocked into the boards is "boarding" and must be penalized as such. In other instances where there is no contact with the boards it should be treated as "charging."*

“Rolling” an opponent (if he is the puck carrier) along the boards where he is endeavoring to go through too small an opening is not boarding. However, if the opponent is not the puck carrier, then such action should be penalized as boarding, charging, interference or if the arms or sticks are employed it should be called holding or hooking.

- (b) When a player injures an opponent as the result of “boarding,” the Referee shall have no alternative but to impose a major plus a game misconduct penalty on the offending player.

### **Rule 605 Broken Stick**

- (a) A player without a stick may participate in the game. A player or goalkeeper whose stick is broken may participate in the game provided he drops the stick. A minor penalty for an equipment violation shall be imposed for an infraction of this rule.

*(Note) A broken stick is one that, in the opinion of the Referee, is unfit for normal play.*

- (b) A replacement for a stick that is either broken or no longer in possession of a player or goalkeeper may only be obtained from the players’ bench or a teammate on the ice. For a violation of this rule a bench minor penalty for an equipment violation shall be assessed to the team of the player receiving the replacement stick provided that no penalty is assessed under Rule 601(c.2) or (h.3) for this infraction.

The team, a member of which throws a replacement stick into the playing area, must be penalized under Rule 601(c.2) or (h.3), Throwing Articles into the Playing Area. A player receiving a stick so thrown shall not be penalized.

*(Note) The intent of this rule is to provide for the assessment of one penalty for any one illegal stick replacement.*

- (c) A goalkeeper whose stick is broken may not go to the players’ bench for a replacement during a stoppage of play, but must receive his stick from a teammate.

For an infraction of this rule a minor penalty for delay of game shall be imposed on the goalkeeper.

**Rule 606 Charging**

- (a) A minor or a major penalty shall be imposed on a player who runs or jumps into or charges an opponent.

*(Note) If more than two steps or strides are taken, it shall be considered "charging."*

When a player injures an opponent as the result of "Charging" the Referee shall have no alternative but to impose a major plus a game misconduct penalty on the offending player.

- (b) A minor or a major penalty shall be imposed on a player who body checks or charges a goalkeeper while the goalkeeper is within his goal crease or privileged area.

A goalkeeper is NOT "fair game" just because he is outside his privileged area. A penalty for interference or charging should be called in every case where an opposing player makes unnecessary contact with a goalkeeper.

Likewise, Referees should be alert to penalize goalkeepers for tripping, slashing or spearing in the vicinity of the goal.

**Rule 607 Checking from Behind**

- (a) A minor plus a misconduct penalty, or a major plus a game misconduct penalty, shall be imposed on any player who body checks or pushes an opponent from behind.

When a player injures an opponent as the result of "Checking from Behind" the Referee shall have no alternative but to impose a major plus a game misconduct penalty on the offending player.

*(Note) Checking from behind may also be treated as Attempt to Injure or Deliberate Injury of an Opponent under Rule 603.*

- (b) A major plus a game misconduct penalty shall be imposed on any player who body checks or pushes an opponent from behind head first into the side boards, end boards or goal frame.

### **Rule 608** Cross-Checking or Butt-Ending

- (a) A minor or a major penalty shall be imposed on a player who “cross-checks” an opponent.

*(Note) “Cross-check” shall mean a check delivered with both hands on the stick and no part of the stick on the ice.*

- (b) A major plus a game misconduct penalty shall be imposed on any player who injures an opponent by “cross-checking.”
- (c) A major plus a game misconduct penalty shall be imposed on any player who “butt-ends” or attempts to “butt-end” an opponent.

*(Note 1) Attempt to “butt-end” shall include all cases where a “butt-end” gesture is made regardless of whether body contact is made or not.*

*(Note 2) “Butt-ending” may also be treated as an Attempt to Injure or Deliberate Injury of an Opponent under Rule 603.*

### **Rule 609** Delaying the Game

- (a) A minor penalty shall be imposed on any player or goalkeeper who delays the game by deliberately shooting or batting the puck with his stick outside the playing area.

*(Note) This penalty shall apply also when a player or goalkeeper deliberately bats or shoots the puck with his stick outside the playing area after a stoppage of play.*

- (b) A minor penalty shall be imposed on a goalkeeper who shoots the puck directly (non-deflected) outside of the playing area, except that no penalty shall apply if the puck inadvertently leaves the playing area in a location that is not protected by glass or screen.
- (c) A minor penalty shall be imposed on any player (including a goalkeeper) who delays the game by deliberately displacing a goal post from its normal position. The Referee or Linesmen shall stop play immediately when a goal post has been displaced.

If the defending team has deliberately displaced the goal post, thereby depriving the attacking team of an immediate and reasonable scoring opportunity, or if, during the course of

a break-away, the goalkeeper (all classifications) or player (excluding Adults) deliberately removes his helmet/facemask, a penalty shot/optional minor penalty shall be awarded to the non-offending team, which shot shall be taken by the player last in possession of the puck.

If a player of the defending team deliberately displaces the goal and, in the opinion of the Referee, the puck would have entered the goal had it not been displaced, or if the defending team deliberately displaces the goal when the goalkeeper is off the ice, thereby preventing an obvious and imminent goal, a goal shall be awarded in lieu of a penalty shot.

*(Note) A player with a “break-away” is defined as a player in control of the puck with no opposition between the player and the opposing goal and with a reasonable scoring opportunity.*

If a minor penalty for deliberately displacing a goal, or for the goalkeeper (all classifications) or player (excluding Adults) deliberately removing his helmet/facemask during play, is assessed with less than two minutes remaining in regulation time, or at any time during overtime, a penalty shot/optional minor shall be assessed against the offending team in lieu of the minor penalty.

- (d) A bench minor penalty shall be imposed upon any team that, after warning by the Referee to its Captain to place the correct number of players on the ice and commence play, fails to comply with the Referee’s direction and thereby causes any delay by making additional substitutions, by persisting in having its players off-side, including failure to line up properly for a face-off under Rule 611(a), or in any other manner.
- (e) A minor penalty shall be imposed on a player or goalkeeper who deliberately holds the puck against the boards, goal or ice with his stick, skate, foot or any other part of his body for the purpose of delaying the game (see Rule 612(b), Falling on the Puck).
- (f) A minor penalty shall be imposed on a goalkeeper who has an opportunity to play the puck with his stick prior to being pressured by an attacking player, but instead intentionally causes a stoppage of play.

- (g) A minor penalty for delaying the game shall be assessed to a player who, after a warning by the Referee, fails to maintain a proper position during the conducting of a face-off.

### **Rule 610 Elbowing or Kneeing**

- (a) A minor or a major penalty shall be imposed on any player who uses his elbow or knee in such a manner as to in any way foul an opponent.
- (b) A major plus a game misconduct penalty shall be imposed on any player who injures an opponent as the result of a foul committed by elbowing or kneeling.

### **Rule 611 Face-Offs**

- (a) The puck shall be "faced-off" by the Referee or the Linesman dropping the puck on the ice between the sticks of the players "facing-off." Players facing-off will stand squarely facing their opponents' end of the rink approximately one stick length apart with the blade of their sticks touching the ice. The attacking team player shall be the first player to place his stick on the ice. For face-offs along the center red line, the visiting team player shall place his stick on the ice first.

When the face-off takes place at any of the end face-off spots, the players taking part shall be stationary and stand squarely facing their opponents' end of the rink and clear of the ice markings. The sticks of both players facing-off shall have the blade on the ice in contact with the nearest white area of the face-off spot and clear of the red center area of the spot.

No other player shall be allowed to enter the face-off circle or come within 15 feet of the players facing-off the puck, and players other than the player facing off must stand on-side on all face-offs.

If a player, other than the player facing off, fails to maintain his proper position, the center of his team shall be ejected from the face-off.

At the conclusion of the line change procedure, the Official conducting the face-off shall blow his whistle. This will signal each team that they have no more than five seconds to line up for the ensuing face-off. Prior to the

conclusion of five seconds, the Official shall conduct a proper face-off. If any player other than the players facing off fails to maintain a proper position, the center of that team shall be ejected from the face-off.

- (b) A second violation of any of the provisions of subsection (a) hereof by the same team during the same face-off shall be penalized with a minor penalty for delay of game to the player who commits the second violation of the rule.
- (c) If, after a warning by the Referee or Linesman, either of the players fails to take his proper position for the face-off within five seconds, the Official shall be entitled to face-off the puck notwithstanding such default.
- (d) In the conduct of any face-off anywhere on the playing surface, no player facing-off shall make any physical contact with his opponent's body by means of his own body or by his stick except in the course of playing the puck after the face-off has been completed.

For violation of this rule the Referee shall impose a minor penalty or penalties on the player(s) whose action(s) caused the physical contact.

*(Note) "Conduct of any face-off" commences when the On-Ice Official designates the place of the face-off and he takes up his position to drop the puck.*

- (e) If a player facing-off fails to take his proper position immediately when directed by the Official, the Official may order him replaced for that face-off by any teammate then on the ice.

No substitution of players shall be permitted until the face-off has been completed and play has been resumed except when any penalty is imposed.

- (f) When an infringement of a rule has been committed or a stoppage of play has been caused by any player of the attacking team in the Attacking Zone the ensuing face-off shall be made in the Neutral Zone on the nearest face-off spot.

*(Note) This includes a stoppage of play caused by a player of the attacking team shooting the puck onto the back of the defending team's goal without any intervening action by the defending team.*

- (g) When an infringement of a rule resulting in a stoppage has been committed by players from both teams in one play, or when the game is stopped for any reason not specifically covered in these official rules, the puck must be faced off at the nearest point along the imaginary lines on each side connecting the end zone face-off spots to where the puck was last played.

When an infringement of a rule causes a stoppage of play and the offending team gains a territorial advantage, the ensuing face-off shall be conducted where the stoppage of play occurred.

- (h) When a stoppage occurs between the end face-off spots and near end of the rink, the puck shall be faced-off at the end face-off spot on the side where the stoppage occurs, unless otherwise expressly provided by these rules.
- (i) When a goal is legally scored the ensuing face-off shall be conducted at center ice. When a goal is illegally scored as a result of a puck being deflected directly from an Official anywhere in the Defending Zone, the resulting face-off shall be made at the end face-off spot in the Defending Zone.
- (j) Playing time will commence from the instant the puck is faced-off and will stop when the whistle is blown.
- (k) When a stoppage of play in an end zone takes place and is followed by a gathering of players, no attacking player shall enter the end zone further than the outer edge of the face-off circles nearest the blue line (this includes players on the ice at the time of the stoppage of play or players involved in a line change).

For a violation of this rule the ensuing face-off shall take place at the nearest Neutral Zone face-off spot.

**Rule 612 Falling on Puck**

- (a) A minor penalty for delay of game shall be imposed on a player other than the goalkeeper who deliberately falls on or gathers the puck into his body.

*(Note) Any player who drops to his knees to block a shot should not be penalized if the puck is shot under him or becomes lodged in his clothing or equipment, but any use of the hands to make the puck unplayable should be penalized promptly.*

- (b) A minor penalty for delay of game shall be imposed on a goalkeeper who deliberately falls on or gathers the puck into his body, when his body is entirely outside the boundaries of the goal crease and the puck is behind the goal line or when the puck is outside the boundaries of the “goalkeeper’s privileged area,” or who holds or places the puck against any part of the goal or against the boards, or when having an opportunity to play the puck with his stick prior to being pressured by an attacking player. (See also Rules 609(e) and 609(f), Delaying the Game.)
- (c) No defending player, except the goalkeeper, shall be permitted to fall on the puck or hold the puck or gather the puck into the body or hands when the puck is within the goal crease.

For an infringement of this rule, play shall immediately be stopped and a penalty shot/optional minor penalty for delay of game shall be awarded to the non-offending team. However, if the goalkeeper has been removed from the ice when the infraction occurs, a goal shall be awarded to the non-offending team and no penalty shot shall be awarded, if the action of the offending player prevents an obvious and imminent goal.

*(Note) This rule shall be interpreted so that a penalty shot/optional minor will be awarded only when the puck is in the crease at the instant the infraction occurs. However, in cases where the puck is outside the crease, Rule 612(a) may still apply and a minor penalty may be imposed, even though no penalty shot is awarded.*

### **Rule 613 Fisticuffs (Fighting)**

- (a) A major plus a game misconduct penalty shall be imposed on any player who engages in fisticuffs. An additional minor penalty shall be imposed on any player who starts or instigates fisticuffs.
- (b) A minor penalty shall be imposed on a player who, having been struck, shall retaliate with a blow or attempted blow. However, at the discretion of the Referee a double minor or a major penalty may be imposed if such player continues the altercation.

*(Note 1) The Referee is provided very wide latitude in the penalties that he may impose under this rule. This is done intentionally to enable him to differentiate between the obvious degrees of responsibility of the participants either for starting the fighting or persisting in continuing the fighting. The discretion provided shall be exercised realistically.*

*(Note 2) Referees are directed to employ every means provided by these rules to stop "brawling" and should use Rule 601(e.2) "Abuse of Officials and Other Misconduct" for this purpose.*

- (c) A major penalty shall be imposed on any player involved in fisticuffs off the playing surface or with another player who is off the playing surface before, during or after the game.
- (d) A game misconduct penalty shall be imposed on any player or goalkeeper who is the first to intervene in an altercation then in progress. This penalty is in addition to any other penalty incurred in the same incident.
- (e) When an altercation occurs on the ice, at the signal of the Referee, all players (non-participant), excluding goalkeepers, must proceed immediately and directly to their respective players' bench. Goalkeepers must remain in the immediate vicinity of their goal crease. See Rule 407(d) (Goalkeeper's Penalties). A minor penalty shall be assessed to any player, excluding goalkeepers, who fails to move to the players' bench when so instructed by the Referee.

A minor penalty shall be imposed on any player, including a goalkeeper, who removes his glove or gloves and/or drops his stick during an altercation and who is not a participant in the original altercation. A game misconduct penalty may be added to the minor penalty if, in the judgment of the Referee, the player is the instigator of a subsequent altercation. This penalty shall be in addition to any other penalty incurred in the same incident.

- (f) A game misconduct penalty shall be assessed to any player who removes his (or opponent's) helmet/facemask prior to, or during an altercation (excluding Adult Male Classifications).

### **Rule 614 Goals and Assists**

*(Note) It is the responsibility of the Referee to award goals and assists, and his decision in this respect is final. Such awards shall be made or withheld strictly in accordance with the provisions of this rule. Therefore, it is essential that the Referee shall be thoroughly familiar with every aspect of this rule, be alert to observe all actions that could affect the making of an award and, above all, the awards must be made or withheld with absolute impartiality.*

*In cases of an obvious error in awarding a goal or an assist that has been announced, it should be corrected promptly. Changes shall not be made in the official scoring summary after the Referee has signed the Game Report.*

- (a) A goal shall be scored when the puck shall have been put between the goal posts by the stick of a player of the attacking team, from in front and below the cross bar, and entirely across the goal line.
- (b) A goal shall be scored if the puck is put into the goal in any way by a player of the defending team. The player of the attacking team who last played the puck shall be credited with the goal but no assist shall be awarded.
- (c) If an attacking player kicks the puck and the puck goes directly into the goal or is deflected into the goal by any player, including the goalkeeper, a goal shall not be allowed.
- (d) If the puck shall have been deflected into the goal from the shot of an attacking player by striking any part of a player of the same team, a goal shall be allowed. The player who

- deflected the puck shall be credited with the goal. The goal shall not be allowed if the puck has been kicked, thrown or otherwise deliberately directed into the goal by any means other than a stick.
- (e) If a goal is scored as a result of a puck being deflected directly into the goal from an Official, the goal shall not be allowed.
  - (f) Should a player legally propel a puck into the goal crease of the opposing team and the puck should become loose and available to another player of the attacking team, a goal scored on the play shall be valid.
  - (g) Any goal scored, other than as covered by the official rules, shall not be allowed.
  - (h) A "goal" shall be credited in the scoring records to a player who shall have propelled the puck into the opponents' goal. Each "goal" shall count one point in the player's record.
  - (i) When a player scores a goal, an "assist" shall be credited to the player or players taking part in the play immediately preceding the goal, but not more than two assists can be given on any goal. Each "assist" so credited shall count one point in the player's record.
  - (j) Only one point can be credited to any one player on a goal.

### **Rule 615 Handling Puck with Hands**

- (a) If a player, except a goalkeeper, closes his hand on the puck, play shall be stopped and a face-off shall follow; however, if the puck is dropped to the ice immediately, play shall not be stopped.

If a goalkeeper holds the puck with his hand for more than three seconds, play shall be stopped and a face-off shall follow; however, after an initial warning by the Referee, a goalkeeper who holds the puck unnecessarily shall be assessed a minor penalty for delay of game.
- (b) A goalkeeper shall not drop the puck into his pads or onto the goal net, nor deliberately pile up snow or obstacles at or near his goal that, in the opinion of the Referee, would tend

to prevent the scoring of a goal. The penalty for infringement of this rule by the goalkeeper shall be a minor penalty for delay of game.

*(Note 1) The object of this rule is to keep the puck in play continuously and any action taken by the goalkeeper that causes an unnecessary stoppage must be penalized.*

*(Note 2) The goalkeeper may not leave his stick or part thereof in front of his goal. If he does and if the puck hits the stick, thereby preventing an obvious and imminent goal while the goalkeeper is on the ice, but in the act of leaving the ice, or off the ice, the Referee shall stop play and award a goal to the non-offending team. See Rule 621(f), Interference.*

- (c) If a goalkeeper catches the puck and throws it forward towards his opponent's goal and it is first played by a teammate, play shall be stopped and the ensuing face-off shall be held at the nearest end face-off spot of the offending team. (See also Rule 615(e).)
- (d) A minor penalty for delay of game shall be imposed on a player except the goalkeeper who, while play is in progress, picks up the puck off the ice with his hand.
 

If a defending player, except the goalkeeper, while play is in progress, picks up the puck with his hand from the ice in the goal crease or holds the puck while the puck is in the goal crease, the play shall be stopped immediately and a penalty shot/optional minor penalty for delay of game shall be awarded to the non-offending team.

If a defending player picks up the puck from the goal crease or falls on or covers the puck in the crease thereby preventing an obvious and imminent goal when the goalkeeper has been removed from the ice, a goal shall be awarded to the non-offending team.
- (e) A player or goalkeeper shall be permitted to stop or "bat" the puck in the air with his hand or push it along the ice with his hand and play shall not be stopped unless he has directed the puck to a teammate in any zone other than his Defending Zone, in which case play shall be stopped and the puck faced-off at the spot where the offense occurred unless otherwise provided by these rules.

*(Note) No territorial ice advantage can be gained from a team illegally batting the puck with the hand.*

A goal shall not be allowed if the puck was propelled by the hand of an attacking player and entered the goal either directly or after deflecting off any player including the goalkeeper.

### **Rule 616** Head Contact/Head-Butting

- (a) A minor penalty, major penalty or a major plus game misconduct penalty, at the discretion of the Referee, shall be assessed to any player who intentionally or recklessly contacts a player in the head, including with the stick or by an illegal body check.
- (b) A major plus a game misconduct penalty shall be imposed on any player who injures an opponent by head contact (see Glossary).
- (c) A major plus a game misconduct penalty shall be imposed on any player who “head-butts” in such a manner as to in any way foul an opponent.

*(Note) “Head Contact/Head-Butting” may also be treated as an Attempt to Injure or Deliberate Injury of an Opponent under Rule 603.*

### **Rule 617** High Sticks

- (a) The carrying of sticks above the normal height of the shoulder is prohibited. The Referee may assess a minor or a major penalty on any player violating this rule.

*(Note) The use of the “slap shot” in the 10 & under age classification and below is prohibited. This applies to both Youth and Girls. A face-off shall take place at one of the end face-off spots adjacent to the goal of the offending player’s team who, in the process of making a forehand shot or pass, raises the blade of his stick above his waist in the backswing of such shot or pass.*
- (b) A major plus a game misconduct penalty shall be imposed on any player who injures an opponent by the use of a high stick.

- (c) A goal scored from a stick so carried shall not be allowed, except by a player of the defending team.
- (d) Batting the puck above the normal height of the shoulders with the stick is prohibited and when it occurs there shall be a whistle and the ensuing face-off shall take place at one of the end face-off spots adjacent to the goal of the team causing the stoppage unless:
  - (1) the puck is batted to an opponent and the opponent gains possession and control of the puck, in which case the play shall continue, or
  - (2) a player of the defending team shall bat the puck into his own goal in which case the goal shall be allowed.

*(Note) When a player bats the puck to an opponent under subsection 1, the Referee shall give the “washout” signal immediately. Otherwise he will stop the play.*

### **Rule 618** Holding an Opponent

- (a) A minor penalty shall be imposed on a player who holds an opponent with hands or stick or in any other way.
- (b) A major plus a game misconduct penalty shall be imposed on a player who grabs or holds the facemask of an opponent with his hand.

### **Rule 619** Hooking

- (a) A minor or major penalty shall be imposed on a player who impedes or seeks to impede the progress of an opponent by “hooking” with his stick.
- (b) A major plus game misconduct penalty shall be imposed on any player who injures an opponent by “hooking.”

### **Rule 620** Icing the Puck

- (a) For the purpose of this rule, the center line will divide the ice into halves. Should any player of a team, equal or superior in numerical strength to the opposing team, shoot, bat with the hand or stick, kick or deflect the puck from his own half of the ice, beyond the goal line of the opposing team, play shall

be stopped and the puck faced off at the end face-off spot of the offending team. If the puck shall have entered the goal of the opposing team, after being legally shot, batted with the stick or deflected, the goal shall be allowed.

For the purpose of this rule, the point of last contact with the puck by the team in possession shall be used to determine whether icing has occurred or not.

*(Note 1) If, during the period of a delayed whistle due to a foul by a player of the side NOT in possession, the side in possession “ices” the puck then the face-off following the stoppage of play shall take place in the Neutral Zone near the defending blue line of the team “icing” the puck.*

*(Note 2) When a team is “Shorthanded” as the result of a penalty and the penalty is about to expire, the decision as to whether there has been an “icing” shall be determined at the instant the penalty expires, and if the puck is shot before the penalty expires, icing shall not be called. The action of the penalized player remaining in the penalty bench will not alter the ruling.*

*(Note 3) For the purpose of interpretation of this rule, “Icing the Puck” is completed the instant the puck completely crosses the goal line. If the puck shall have entered the goal, the icing will not be called and a goal shall be allowed.*

*(Note 4) When the puck is shot and rebounds from the body or stick of an opponent in his own half of the ice so as to cross the goal line of the player shooting it, “icing” shall not be called.*

*(Note 5) Notwithstanding the provisions of this section concerning “batting” the puck in respect to the “icing the puck” rule, the provisions of the second paragraph of Rule 615(e) “Handling Puck With Hands,” apply and NO goal can be scored by batting the puck with the hand into the opponent’s goal, whether intended or not.*

*(Note 6) If, while the Linesman has signaled a slow whistle under Rule 626(f), “Off-Sides,” a defending player shoots or bats the puck beyond the opponent’s goal line in such a manner as to constitute “icing the puck,” the Linesman’s*

*“slow whistle” shall be considered exhausted the instant the puck crosses the blue line and icing shall be called in the usual manner.*

- (b) If the puck was so shot by a player of a team below the numerical on-ice strength of the opposing team, play shall continue and the face-off shall not take place.
- (c) If, however, the puck shall go beyond the goal line in the opposite half of the ice directly from either of the players while facing-off, it shall not be considered a violation of this rule.
- (d) If, in the opinion of the Linesman, a player of the opposing team excepting the goalkeeper is able to play the puck before it passes the goal line, but has not done so, icing shall not be called and play shall continue.

*(Note) The purpose of this section is to enforce continuous action and the On-Ice Officials should interpret and apply the rule to produce this result.*

- (e) If the puck shall touch any part of a player of the opposing team or his skates or his stick before it shall have reached the goal line, or shall have touched the goalkeeper or his skates or his stick at any time before crossing his goal line, it shall not be considered as “icing the puck” and play shall continue.
- (f) If the Officials shall have erred in calling an “icing the puck” infraction (regardless of whether either team is shorthanded) a last play face-off (end zone face-off spot nearest to the location of the puck when play was stopped) shall occur.

### **Rule 621 Interference**

- (a) A minor penalty shall be imposed on a player who interferes with or impedes the progress of an opponent who is not in possession of the puck, or who deliberately knocks a stick out of an opponent’s hand or who prevents a player who has dropped his stick or any other piece of equipment from regaining possession of it or who knocks or shoots any abandoned or broken stick or illegal puck or other debris

towards an opposing puck carrier in a manner that could cause him to be distracted. (See also Rule 636, Throwing Stick.)

*(Note) The last player to touch the puck, other than a goalkeeper, shall be considered the player in possession. In interpreting this rule the Referee should make sure which of the players is the one creating the interference. Often it is the action and movement of the attacking player that causes the interference since the defending players are entitled to “stand their ground” or “shadow” the attacking player. Players of the side in possession shall not be allowed to “run” deliberate interference for the puck carrier.*

- (b) A minor penalty shall be imposed on any player on the players' bench or on the penalty bench who by means of his stick or his body interferes with the movements of the puck or of any opponent on the ice during the progress of play.
- (c) A minor penalty shall be imposed on a player who, by means of his stick or his body, interferes with or impedes the movements of the goalkeeper by actual physical contact, while he is in his goal crease unless the puck is already in the crease.
- (d) When the puck is in the Attacking Zone and not in the goal crease, a player of the attacking team may not stand on the goal crease line or in the goal crease, hold his stick in the goal crease or skate through the goal crease. If the puck should enter the goal while such a condition prevails, a goal shall not be allowed. For violation of this rule, while the attacking team has possession of the puck, play shall be stopped and a face-off held at the nearest Neutral Zone face-off spot.

*(Note) This rule shall not apply when the goalkeeper is out of his goal crease.*

- (e) If a player of the attacking team has been physically interfered with by the action of any defending player so as to cause him to be in the goal crease, and the puck should enter the goal while the player so interfered with is still within the goal crease, the “goal” shall be allowed.

- (f) When a player in control of the puck beyond the defending blue line, and having no opponent to pass other than the goalkeeper, is interfered with by a stick or part thereof or any other object thrown or shot by any member of the defending team including any Team Official, a penalty shot/optional minor shall be awarded to the non-offending team.

*(Note) The attention of Referees is directed particularly to three types of offensive interference which should be penalized:*

- (1) When the defending team secures possession of the puck in its own end and the other players of that team run interference for the puck carrier by forming a protective screen against forecheckers;*
- (2) When a player facing-off obstructs his opponent after the face-off when the opponent is not in possession of the puck;*
- (3) When the puck carrier makes a drop pass and follows through so as to make bodily contact with an opposing player.*

*Defensive interference consists of bodily contact with an opposing player who is not in possession of the puck.*

## **Rule 622** Interference by Spectators

- (a) In the event of a player being held or interfered with by a spectator, the Referee or Linesman shall blow the whistle and play shall be stopped, unless the team of the player interfered with is in possession of the puck at the time, in which case the play shall be allowed to be completed before blowing the whistle, and the puck shall be faced at the spot where last played at the time of stoppage.

*(Note) The Referee shall report to the proper authorities for disciplinary action all cases in which a player becomes involved in an altercation with a spectator.*

- (b) Any player who physically interferes with a spectator shall be assessed a game misconduct penalty for unsportsmanlike conduct and the Referee shall report all such infractions to the proper authorities who shall have full power to impose such further penalty as deemed appropriate.

- (c) In the event that objects are thrown on the ice that interfere with the progress of the game, the Referee shall blow the whistle and stop the play and the puck shall be faced-off at the spot where play is stopped.

### **Rule 623 Kicking Player**

- (a) A major plus a game misconduct penalty shall be imposed on any player or goalkeeper who uses their skate to “push off” an opponent. Any kicking motion by a player or goalkeeper must be penalized under subsection (b) below.
- (b) A Match penalty shall be imposed on any player who kicks or attempts to kick another player. If a player or goalkeeper injures an opponent by kicking, a Match penalty shall be assessed.

### **Rule 624 Kicking Puck**

- (a) Kicking the puck shall be permitted in all zones; however, a goal shall not be allowed if the puck was kicked by an attacking player and entered the goal either directly or after deflecting off any player including the goalkeeper.

### **Rule 625 Leaving the Players’ Bench or Penalty Bench**

- (a) No player may leave the players’ bench or penalty bench at any time during an altercation or for the purpose of starting an altercation. Substitutions made prior to the altercation shall not be penalized under this rule provided the players so substituting do not enter the altercation.
- (b) For violation of this rule, a major plus a game misconduct penalty shall be imposed on any player who leaves the players’ bench or penalty bench during an altercation.
- (c) Except at the end of each period, or on expiration of a penalty, no player may at any time leave the penalty bench.
- (d) A penalized player who leaves the penalty bench before his penalty has expired, whether play is in progress or not, shall incur an additional minor penalty after serving his unexpired penalty.

- (e) If a player leaves the penalty bench before his penalty is fully served, the Penalty Timekeeper shall note the time and verbally alert the Referee who will stop play when the offending player's team has or gains possession and control of the puck.
- (f) In the case of a player returning to the ice before his time has expired through an error of the Penalty Timekeeper, he is not to serve an additional penalty, but must serve his unexpired time.
- (g) If a player of an attacking team in possession of the puck shall be in such a position as to have no opposition between him and the opposing goalkeeper, and while in such a position he shall be interfered with by a player of the opposing team who shall have illegally entered the game, the Referee shall impose a penalty shot/optional minor against the offending player's team.
- (h) If a Team Official gets on the ice after the start of a period and before that period is ended without the permission of the Referee, the Referee shall impose a bench minor penalty against the team or a game misconduct penalty on the individual or both and report the incident to the proper authorities.
- (i) If a penalized player returns to the ice from the penalty bench before his penalty has expired by his own error or the error of the Penalty Timekeeper, any goal scored by his own team while he is illegally on the ice shall be disallowed, but all penalties imposed on either team shall be served as regular penalties.
- (j) If a player shall illegally enter the game from his own players' bench or from the penalty bench, any goal scored by his own team while he is illegally on the ice shall be disallowed, but all penalties imposed against either team shall be served as regular penalties.
- (k) **(For Youth and all Girls/Women games)**  
On any face-off, if a team starts play with fewer players than entitled to, any subsequently entering player shall not be eligible to play any puck coming from his own Defending Zone until he has returned to his own Defending Zone or

until possession and control of the puck has been gained by another player in the Neutral Zone or in his own Attacking Zone.

For a violation of this rule play shall be stopped and a face-off shall be conducted at the point where the puck was last legally played.

### **Rule 626** Off-Sides

- (a) Players of an attacking team may not precede the puck into the Attacking Zone.

*(Note) A player actually propelling and in possession and control of the puck who shall cross the line ahead of the puck shall not be considered “off-side.”*

- (b) For a violation of this Rule, play shall be stopped and a face-off conducted.

If the puck was carried over the blue line at the time of the violation, the face-off shall take place at the nearest Neutral Zone face-off spot to where the puck crossed the line. If the puck was passed or shot over the blue line, the face-off shall take place where the pass or shot originated.

- (c) The position of the player’s skates and not that of his stick shall be the determining factor in deciding an “off-side” violation. A player is off-side when both skates are completely over the outer edge of the blue line into his Attacking Zone.

*(Note 1) A player is “on-side” when “either” of his skates are in contact with the Neutral Zone ice or when the entire player, including both skates, is completely behind the determining edge of the blue line, at the instant the puck completely crosses the outer edge of that line, regardless of the position of his stick.*

*(Note 2) The position of the player’s skates is what determines whether a player is “off-side.” However, the question of “off-side” never arises until the puck has completely crossed the line into the Attacking Zone, at which time the decision is to be made.*

- (d) If a player legally carries or passes the puck back into his own Defending Zone while a player of the opposing team is in such Defending Zone, the “off-side” shall be waived and play permitted to continue. (No “delayed whistle.”)
- (e) If, in the opinion of the Linesman, a player has intentionally caused an off-side play (including a puck shot on goal), the puck shall be faced-off at the nearest end zone face-off spot in the Defending Zone of the offending team.

*(Note) An intentional off-side is one which is made for the purpose of deliberately securing an immediate stoppage of play, regardless of the reason, or where an off-side play is made under conditions where there is no possibility of completing a legal play.*

- (f) **For Adults (male and female) and High School age classifications only** — If an attacking player precedes the puck that is shot, passed or deflected into the Attacking Zone, the Linesman shall signal a delayed off-side. The off-side violation will be nullified if all attacking players in the Attacking Zone clear the Attacking Zone by making skate contact with the blue line. The Attacking Zone must be completely clear of attacking players before a delayed off-side can be nullified with the puck still in the Attacking Zone.

During the delayed off-side, the Linesman shall stop play for the off-side violation if ANY attacking player touches the puck or attempts to gain possession of a loose puck while the puck is still in the Attacking Zone or forces the defending puck carrier further back in the Attacking Zone.

- (g) If the Linesman shall have erred in stopping play for an off-side infraction the ensuing face-off shall take place at the nearest Neutral Zone face-off spot to the blue line where play was stopped in error.

## **Rule 627** Passes

- (a) The puck may be passed by any player to a player of the same team within any of the three zones into which the ice is divided and may be passed forward by a player in his own Defending Zone to a player of the same team anywhere in the Neutral Zone.

- (b) The player last touched by the puck shall be deemed to be in possession.

Rebounds off goalkeeper's pad or other equipment shall not be considered as a change of possession or the completion of the play by the team when applying Rule 409(b) (Calling of Penalties).

- (c) If the puck precedes all players of the attacking team into their Attacking Zone, any player is eligible to play the puck except when Rule 620 (Icing the Puck) applies.

### **Rule 628 Puck Out of Bounds or Unplayable**

- (a) When the puck goes outside the playing area or strikes any obstacles above the playing surface other than the boards, glass or wire, or deflects off an Official out of the playing area, it shall be faced-off from where it was shot or deflected by a player, unless otherwise expressly provided in these rules.

If the puck leaves the playing area or becomes unplayable due to a defect in the playing rink, a face-off will take place at the point where the puck was last played.

- (b) When the puck becomes lodged in the netting on the outside of either goal so as to make it unplayable, or if it is frozen between opposing players intentionally or otherwise, the Referee shall stop the play and face-off the puck at either of the adjacent face-off spots unless in the opinion of the Referee the stoppage was caused by a player of the attacking team, in which case the resulting face-off shall be conducted in the Neutral Zone.

*(Note) This includes a stoppage of play caused by a player of the attacking team shooting the puck onto the back of the defending team's goal without any intervening action by the defending team.*

*The defending team and/or the attacking team may play the puck off the net at any time. However, should the puck remain on the net for longer than three seconds, play shall be stopped and the face-off shall take place on an end zone face-off spot except when the stoppage is caused by the attacking team, in which case the face-off shall take place*

on a face-off spot in the Neutral Zone. However, if the puck comes to rest on top of the goal frame or in the netting on top of the goal frame, play shall be stopped immediately.

- (c) A minor penalty for delay of game shall be imposed on a goalkeeper who deliberately drops the puck on the goal netting to cause a stoppage of play.
- (d) If the puck comes to rest on top of the boards surrounding the playing area, it shall be considered to be in play and may be played legally by the hand or stick.

### **Rule 629 Puck Must Be Kept in Motion**

- (a) The puck must at all times be kept in motion. Play shall not be stopped because the puck is frozen along the boards by two more opposing players, unless a player falls on or is knocked down onto the puck. If one player freezes the puck along the boards or if a player deliberately falls on the puck a minor penalty for delaying the game shall be assessed under Rule 609(e) or Rule 612(a).

*(Note) Notwithstanding the above, the Referee may stop play along the boards if in his judgment allowing play to continue will lead to unnecessary contact surrounding the puck.*

- (b) A minor penalty for delay of game shall be imposed on any player including the goalkeeper who holds, freezes or plays the puck with his stick, skates or body along the boards in such a manner as to cause a stoppage of play.
- (c) A player beyond his Defending Zone shall not pass nor carry the puck backward into his Defending Zone for the purpose of delaying the game except when his team is below the on-ice numerical strength of the opponents. For an infringement of this rule, the face-off shall be at the nearest end face-off spot in the Defending Zone of the offending team.

### **Rule 630 Puck Out of Sight and Illegal Puck**

- (a) Should a scramble take place, or a player accidentally falls on the puck, and the puck is out of sight of the Referee, he shall immediately blow his whistle and stop the play. The puck shall then be “faced-off” at the point where the play was stopped, unless otherwise provided for in the rules.
- (b) If, at any time while play is in progress, a puck other than the one officially in play shall appear on the playing surface, which interferes with the progress of the game, the play shall be stopped immediately.

### **Rule 631 Puck Striking Official**

- (a) Play shall not be stopped because the puck touches an Official anywhere on the rink.

### **Rule 632 Refusing to Start Play**

- (a) If, when both teams are on the ice, one team for any reason shall refuse to play when ordered to do so by the Referee, he shall warn the Captain and allow the team so refusing 15 seconds within which time to begin the game or resume play. If at the end of that time the team shall still refuse to play, the Referee shall impose a bench minor penalty for delay of game on the offending team and the case shall be reported to the proper authorities for further action. Should there be a recurrence of the same incident, the Referee shall have no alternative but to suspend the game and impose a match penalty on the offending Team Official(s) responsible for the incident.
- (b) If a team, when ordered to do so by an On-Ice Official, through a Team Official, fails to go onto the ice promptly, it shall receive a bench minor penalty for delay of game. If the team fails to go onto the ice and start play within five minutes, the game shall be suspended and the offending Team Official(s) shall be assessed a match penalty.

*(Note) The local governing body or Disciplinary Committee shall determine whether the suspended game shall be*

*deemed completed, forfeited, resumed from the point of suspension or cancelled and shall issue instructions pertaining to records, etc.*

### **Rule 633 Slashing**

- (a) A minor or a major penalty shall be imposed on any player who slashes or attempts to slash an opponent with his stick.
- (b) A major plus a game misconduct penalty shall be imposed on any player who injures an opponent by slashing.

*(Note) Referees should penalize as “slashing” any player who swings his stick at any opposing player (whether in or out of range) without actually striking him or where a player on the pretext of playing the puck makes a wild swing at the puck with the object of intimidating an opponent.*

- (c) Any player who swings his stick at another player in the course of any altercation shall be subject to a game misconduct or a match penalty.

*(Note) The Referee shall impose the normal appropriate penalty provided in the other sections of this rule and shall, in addition, report to the proper authorities.*

- (d) A minor penalty shall be imposed on any player who makes stick contact with an opposing goalkeeper while he is in his goal crease, who has covered or caught the puck, regardless of whether or not the Referee has stopped play.

### **Rule 634 Spearing**

- (a) A major plus a game misconduct penalty shall be imposed on a player who spears or attempts to spear an opponent.

*(Note 1) “Spearing” shall mean poking an opponent with the point of the stick blade while the stick is being carried with one hand or both hands.*

*(Note 2) “Attempt to spear” shall include all cases where a spearing gesture is made regardless of whether or not bodily contact is made.*

*(Note 3) Spearing may also be treated as Attempt to Injure or Deliberate Injury of Opponents under Rule 603.*

**Rule 635 Start of Game and Periods**

- (a) The game shall be commenced at the time scheduled by a “face-off” at the center ice face-off spot and shall be renewed promptly at the conclusion of each intermission in the same manner.

No delay shall be permitted by reason of any ceremony, exhibition, demonstration or presentation unless consented to reasonably in advance by the visiting team.

- (b) Home teams shall have the choice of goals to defend at the start of the game except where both players’ benches are on the same side of the rink, in which case the home team shall start the game defending the goal nearest its own bench. The teams shall change ends for each succeeding regular period.

If in the opinion of the Referee, conditions are more favorable to play at one end of the rink than the other, the Referee may equalize opportunities by having the teams change ends at the middle of one or all three regular and overtime periods, but not in only two regular periods. The Referee shall declare before the commencement of the game or period that this change is to be made, and the change shall take place at the exact midpoint of a period and not at a stoppage of play nearest that point.

- (c) During the pregame warm-up (which shall not exceed 20 minutes in duration) and before the commencement of play in any period, each team shall confine its activity to its own half of the rink.

*(Note) Players shall not be permitted to come on the ice during a stoppage in play or at the end of the first and second periods for the purpose of warming-up. The Referee will report any violation of this rule to the proper authorities for disciplinary action.*

- (d) Fifteen minutes before the time scheduled for the start of the game both teams shall vacate the ice and proceed to their dressing rooms while the ice is being resurfaced. Both teams shall be signaled by the Game Timekeeper to return to the ice together in time for the scheduled start of the game or period. It is recommended that, when both teams are to leave

the ice through a common exit, the team whose players' bench is closer to the exit leave first. The home team should enter the ice surface first.

*(Note) This section is intended as a guideline only. In Youth and Girls/Women games, no time is required between the warm-up and the start of the game, if mutually agreed upon by both teams.*

- (e) When a team fails to appear on the ice promptly without a proper justification, an On-Ice Official shall warn the team through a Team Official that it must enter the ice immediately. If the team fails to do so promptly, the Referee shall assess a bench minor penalty for Delay of the Game. (See also Rule 632, Refusing to Start Play.)

### **Rule 636 Throwing Stick**

- (a) When any player or Team Official of the defending team deliberately throws or shoots a stick or any part thereof or any other object at the puck in his Defending Zone, the Referee shall allow the play to be completed and if a goal is not scored, a penalty shot/optional minor shall be taken by the player designated by the Referee as the player fouled.

If, however, the goal being unattended and the attacking player having no defending player to pass and having a chance to score on an "open goal," a stick or part thereof or any other object is thrown or shot by any member of the defending team in or into its Defending Zone, thereby preventing an obvious and imminent goal, a goal shall be awarded to the attacking team.

*(Note 1) If the Officials are unable to determine the person against whom the offense was made, the non-offending team, through the Captain, shall designate a player on the ice at the time the offense was committed to take the shot.*

*(Note 2) For the purpose of this rule, an open goal is defined as one from which a goalkeeper has been removed for an additional attacking player.*

- (b) A minor penalty shall be imposed on any player on the ice who throws his stick or any part thereof or any other object in the direction of the puck in any zone, except when such act has been penalized by a penalty shot or the awarding of a goal.

*(Note) When a player discards the broken portion of a stick by tossing it to the side of the rink (and not over the boards) in such a way as will not interfere with play or an opposing player, no penalty shall be imposed for so doing.*

- (c) A misconduct penalty shall be imposed on any player or goalkeeper who throws a stick or any part thereof outside the playing area.

If the offense is committed in protest of an Official's decision, a game misconduct penalty shall be assessed to the offending player.

A game misconduct penalty shall be imposed on any player or goalkeeper who deliberately throws a stick or any part thereof outside the playing area at or in the direction of any spectators.

### **Rule 637** Time of Match or Time-Outs

- (a) The maximum time allowed for a game shall be three 20-minute periods of actual play with a rest intermission between periods.

Play shall be resumed promptly following each intermission upon the expiration of 15 minutes from the completion of play in the preceding period. A preliminary warning shall be given by the Game Timekeeper to the Officials and to both teams three minutes prior to the resumption of play in each period and the final warning shall be given in sufficient time to enable the teams to resume play promptly.

*(Note) For the purpose of keeping the spectators informed as to the time remaining during intermissions, the Game Timekeeper will use the electric clock to record length of intermissions.*

- (b) The team scoring the greater number of goals during the three periods shall be the winner and shall be credited with two points in the standings.

- (c) In the intervals between periods, the ice surface shall be resurfaced unless mutually agreed to the contrary.
- (d) If any unusual delay occurs in the first or second periods, the Referee may order the next regular intermission to be taken immediately and the balance of the period will be completed on the resumption of play with the teams defending the same goals, after which the teams will change ends and resume play of the ensuing period without delay.
- (e) Each team shall be permitted to take one time-out of a one-minute duration during the game, which must be taken during a stoppage of play. If one team takes a time-out, the opposing team may exercise the rights of a time-out, including warming up a goalkeeper. Non-penalized players and goalkeepers may proceed to their respective team bench during any time-out.

A time-out must be requested prior to the conclusion of the line change procedure. A team that is requesting its time-out during the same stoppage of play as their opponent's time-out must make such request prior to the conclusion of the first time-out.

When the time-out is used to warm up goalkeeper(s), no more than four (4) pucks per team shall be allowed on the ice.

During a game that has a time curfew (see Glossary), no time-outs shall be permitted.

- (f) If, in the opinion of the Referee, playing conditions beyond the control of the Officials and game participants (such as ice conditions, broken glass or weather) become unsatisfactory during the course of the game, the game may be suspended.

### **Rule 638 Tied Games**

- (a) If at the end of the three periods the score is tied, the following shall take place:
  - (1) A 5-minute rest period will be allowed.
  - (2) The teams shall not change ends.
  - (3) A 10-minute period shall be played.
  - (4) The game shall terminate upon a goal being scored and the team scoring declared the winner. If no goal is scored, the same procedure shall be repeated.

- (b) Any overtime period shall be considered part of the game and all unexpired penalties shall remain in force.
- (c) If either team declines to play in the necessary overtime period or periods, the game shall be declared a loss for that team.

*(Note) Districts and Regions may make their own rules regarding overtime for games under their jurisdiction.*

### **Rule 639** Tripping

- (a) A minor or major penalty shall be imposed on any player who shall place his stick, foot, arm, hand or elbow, or extends the leg (Leg Checking) from the front or from behind, in such a manner that it shall cause his opponent to trip or fall.

*(Note 1) If, in the opinion of the Referee, a player is unquestionably hook-checking or poke checking the puck and obtains possession of it, thereby tripping the puck carrier, no penalty shall be imposed.*

*(Note 2) Accidental trips that occur simultaneously with or after a stoppage of play will not be penalized.*

Any player who deliberately leaves his feet and contacts an opponent with any part of his body thereby causing the opponent to trip or fall shall be assessed a minor penalty (Clipping).

*(Note 3) This rule does not apply to a player who has dropped to his knee(s) to block a shot.*

- (b) A major penalty plus a game misconduct penalty shall be assessed to any player who injures an opponent as a result of a foul committed by tripping or leg checking.
- (c) When a player in control of the puck beyond the defending blue line, and having no other opponent to pass than the goalkeeper, is tripped or otherwise fouled from behind or diagonally from behind (beyond the fouled player's peripheral vision), thus preventing a reasonable scoring opportunity, a penalty shot/optional minor shall be awarded to the non-

offending team. Nevertheless, the Referee shall not stop the play until the attacking team has lost possession and control of the puck to the defending team.

*(Note) The intention of this rule is to restore a reasonable scoring opportunity that has been lost by reason of a foul from behind when the foul is committed in the Neutral or Attacking Zones.*

“Possession and control of the puck” (See Glossary) means the act of propelling the puck with a stick. If, while it is being propelled, the puck is touched by another player or his equipment or hits the goal or goes free, the player shall no longer be considered to be “in possession and control of the puck.”

- (d) If, when the opposing goalkeeper has been removed from the ice, a player in control of the puck beyond the defending blue line is tripped or otherwise fouled with no opposition between him and the opposing goal, thus preventing an obvious and imminent scoring opportunity, the Referee shall immediately stop the play and award a goal to the attacking team.

### **Rule 640 Unnecessary Roughness (Roughing)**

- (a) At the discretion of the Referee, a minor or double minor penalty may be imposed on any player deemed guilty of unnecessary roughness. Any action worthy of a major penalty under this subsection must be assessed under Rule 613 (Fisticuffs).

For a body checking infraction in a non-checking classification, a minor or major penalty shall be assessed under this rule.

*(Note 1) In the Youth 10 & under/Squirt and below, and in all Girls/Women classifications, body-checking is prohibited and shall be penalized under this rule.*

*When a team that is registered in a non-checking age classification plays against a team that is registered in a checking age classification, body-checking shall be prohibited under this rule.*

A local governing body or league may prohibit body checking in any age classification.

*(Note 2) In all non-checking age classifications, a penalty shall be assessed under this rule whenever a player impedes the movement of a puck-carrying opponent by pushing him with the hands or arms or deliberately contacting him with the shoulder, hip or any other part of the torso.*

*There are instances when considerable body contact between the puck carrier and an opponent may occur that should not be penalized, provided that there has been no overt hip, shoulder or arm contact to physically force the opponent off the puck. Likewise, there shall be no penalty assessed if the puck carrier unsuccessfully attempts to skate through too small an opening between the boards and a stationary opponent and a collision occurs, unless there has been an overt action to body check the puck carrier.*

*Deliberate body contact on the part of the puck carrier may also be penalized under this rule. In order for a body checking penalty to be assessed, enough contact must have occurred to impede the movements of the puck carrier. A penalty may never be assessed for an attempt to body check.*

A major plus a game misconduct penalty shall be assessed to any player who injures an opponent by body checking in a non-checking classification.

- (b) Except for Adult age classifications, a minor or major penalty shall be assessed under this rule for any avoidable body check to an opponent who does not have possession and control of the puck. (See Glossary.) If the opponent is injured from this check, a major plus a game misconduct penalty shall be assessed.
- (c) A minor or a major penalty, at the discretion of the Referee, shall be imposed on a player who makes physical contact with an opponent after the whistle has been blown if, in the opinion of the Referee, the player has had sufficient time after the whistle to avoid such contact. If the opponent is injured from this check, a major plus game misconduct penalty shall be assessed.

# CASEBOOK FOR PLAYING RULES

## **RULE 601 ABUSE OF OFFICIAL AND OTHER MISCONDUCT**

### → Situation 1

A player sitting on the players' bench uses profanity towards an Official. If the Official can recognize the player using this language, may he assess a misconduct penalty rather than a bench minor?

Yes. Rule References 601 (Note) and 601(d)1.

The Officials shall assess a misconduct to a player if the player can be readily recognized. If the Official cannot determine the identity of the player, he must impose a bench minor on the team. This interpretation only applies to players on the players' bench or penalty bench.

### → Situation 2

At a stoppage of play, two players are circling each other and trying to incite the other into getting a penalty. The Referee deems that penalties are warranted (taunting). What penalties, if any, shall be assessed?

If such actions continue, minor penalties for Unsportsmanlike Conduct may be assessed to each player. Rule Reference 601(a).

### → Situation 3

What is the proper sequence of penalties to be assessed to a player who continues to verbally abuse an Official or who persists in disputing a call?

Minor, misconduct, game misconduct, warning to the Captain, bench minor penalty. Rule References 601(a & c.1) and 632.

This sequence must always be followed. A match penalty should never be assessed after the game misconduct in this situation. The bench minor penalty in this sequence penalizes the team if their player refuses to leave the ice after he has been assessed a game misconduct and the team has been warned.

**→ Situation 4**

A player is assessed a minor penalty for tripping and does not proceed immediately to the penalty bench because he is disputing or challenging the call with the Referee. Should any additional penalty be called?

Yes, in addition to the original tripping penalty, the player must be assessed a minor penalty for Unsportsmanlike Conduct. Rule References 601(a, c.1 & d.4).

The misconduct penalty for failure to proceed directly and immediately to the penalty bench would apply in similar situations, except those involving a player who is not proceeding directly to the penalty bench clearly because he is protesting the call to the Referee.

---

**→ Situation 5**

A goalkeeper or player bangs his stick on the glass at the Goal Judge after a disputed goal. What penalty must be assessed?

A misconduct penalty. Rule Reference 601(e.3).

Any time a player or goalkeeper bangs or breaks his stick on the glass, boards or goal, he must receive a misconduct penalty. If the player does this in protest of an Official's decision, a minor and a misconduct or game misconduct penalty shall be imposed.

---

**→ Situation 6**

What penalty is imposed on a player who collides with a Linesman and verbally abuses him for being in the way with no reference made to a previous decision?

A misconduct penalty. Rule Reference 601(d.1).

If he continues his verbal abuse, the next step is a game misconduct penalty. This situation does not fall under 601(a) because there was no dispute of a ruling.

**→ Situation 7**

A player verbally abuses an Official on the way to the dressing room at the end of a period or the end of the game. What is the sequence of penalties assessed if the player persists in his abuse?

A misconduct followed by a game misconduct. Rule References 601(d.1 and f.1).

**→ Situation 8**

A Coach verbally abuses an Official on the way to the dressing room at the end of a period. What is the sequence of penalties assessed if the Coach persists in his abuse?

A bench minor penalty followed by a game misconduct. Rule References 601(h.2 & i.2).

Refer to Rule 632, Situation 1, if the problem continues after the intermission.

**→ Situation 9**

A player on the ice makes physical contact with an Official following a decision made by that Official. What penalty or penalties shall be assessed?

A misconduct, game misconduct or match penalty, depending on the severity of the offense. Rule References 601(e.1 & g.1).

In all instances where abuse is physical in nature, a minor penalty for Unsportsmanlike Conduct shall not apply.

**→ Situation 10**

A player on the players' bench interferes with a Linesman. The Linesman does not have the authority to stop the play. Play continues and the offending team scores a goal. What penalties are imposed and what procedure does the Linesman employ?

The Linesman reports to the Referee at the stoppage of play. The goal is disallowed and a penalty is assessed. Rule References 601(d.6, e.1 & g.1).

A misconduct, game misconduct or match penalty is assessed, depending on the severity of the offense. If the player grabs the

Linesman momentarily, a misconduct (or in extremely severe instances a game misconduct) penalty shall apply.

---

➔ **Situation 11**

A player of Team A reaches into the Timekeeper's bench and turns off the time clock. What penalty is assessed.

A misconduct or game misconduct penalty shall be assessed, depending on the severity of the offense. Rule References 601(d.6 & e.1).

---

➔ **Situation 12**

A player on the penalty bench grabs or assaults the Timekeeper. What penalty is assessed?

A misconduct, game misconduct or match penalty is assessed, depending on the severity of the offense. If an assault occurs, the match penalty must be assessed. Rule References 601(d.6, e.1 & g.1).

The same rule applies for all Officials, regardless of whether they are On-Ice or Off-Ice Officials.

---

➔ **Situation 13**

A fight breaks out between two opposing players. The Referee rushes to the scene and from about 10 feet away loudly orders the players to stop fighting. The Linesmen have not yet arrived to break up the fight. Should each player receive an additional misconduct or game misconduct penalty for continuing the fight after being ordered to stop?

No. Rule Reference 601(e.2).

The assessment of the additional misconduct or game misconduct penalty for continuing or attempting to continue the fight or altercation should come about after the fight or altercation has been prolonged or after it has been initially broken up and one or both players involved start or attempt to start again.

**→ Situation 14**

If a player bites a Linesman who is attempting to break up an altercation, should the player be assessed a match penalty?

Yes. Rule Reference 601(g.1).

The penalty is the same regardless of whether or not injury results. It is assumed, however, that the length of suspension assessed to the player by the Proper Authorities would be greater in a situation where injury resulted.

**→ Situation 15**

A player directs a racial or ethnic slur to an opponent, which the Referee does not hear. The non-offending team brings it to the Referee's attention. May the Referee assess the prescribed game misconduct penalty based on the reported incident?

No. While these situations threaten the integrity of the game, the actual incident must be heard and/or seen by an On-Ice Official in order to assess the game misconduct penalty. Rule Reference 601(f)2.

The Referee should report the incident to the Coach or Captain of the team allegedly using the slur, and advise the team of the required penalty if such a slur is subsequently heard (or seen). At the same stoppage, the Referee should similarly advise the team reporting the slur.

**→ Situation 16**

What judgment should an Official use in assessing a game misconduct penalty for a racial or ethnic slur?

The slur must be deemed as inflammatory in nature, designed to incite the opponent in a taunting manner. A game misconduct penalty significantly affects a player's or team official's eligibility. On the other hand, there is no place in our game for behavior attacking another individual on the basis of race or ethnic origin.

**→ Situation 17**

The head coach is assessed a bench minor penalty for improper conduct during the first period. During the second period the coach again exhibits improper conduct. Is the coach assessed a game misconduct because the improper conduct has been repeated?

No. Rule Reference 601(i.2).

The game misconduct for persisting in the conduct for which a bench minor penalty has been assessed only applies if the incident is continuous. Once the penalty has been served, the penalty sequence again begins as a bench minor penalty.

If the improper conduct is repeated while the bench minor penalty is being served, a game misconduct penalty can be assessed.

---

**→ Situation 18**

While play is in progress or during a stoppage of play, a Team Official grabs an On-Ice Official to inquire about a situation. What penalty shall be assessed?

In general, a game misconduct should be assessed. Rule Reference 601(i.3).

If the On-Ice Official feels that physical harm has been attempted, a match penalty is proper. However, most incidents will involve a Team Official's attempt to gain the attention of the On-Ice Official without harm.

---

**→ Situation 19**

The Referee hears a coach instructing his player to "get" an opponent, interpreted as intentionally fouling the opponent for purposes of intimidation or physical harm. May the Referee assess a Match penalty?

Yes. Rule Reference 601(j)(3).

This may be interpreted as threatening the opponent, even though there is no threat made directly to the opponent. Note that this applies only if directed toward an opponent. There is no provision under this rule for a coach who threatens his own player. Such an occurrence must be handled by the team unless there is a violation under Rule 601(h) or 601(i).

**RULE 602 ADJUSTMENT TO CLOTHING AND EQUIPMENT****→ Situation 1**

The goalkeeper requests that he be permitted to go to his players' bench to obtain a new catching glove and remain on the ice for the ensuing face-off. Should the Referee permit this action?

No. Rule References 602(b & c) and 205.

Any such equipment change must be made by another player delivering the glove to the goalkeeper in the goal area. Such a change must be made quickly without delaying the game.

**→ Situation 2**

May a Referee grant a goalkeeper permission to go to his players' bench to adjust his equipment, recover from an injury or get a drink of water, then permit that goalkeeper to return to the game during the stoppage of play, even though the team has a substitute dressed and on the bench?

No. Rule References 602(b & c).

Any time a goalkeeper goes to his players' bench during a stoppage of play, he must be replaced or assessed a minor penalty. However, if an unusual delay in the game occurs, such as a required rink or equipment repair, the Referee may give the goalkeeper permission to wait out the delay at his bench. A water bottle on the top of the goal is permitted.

**RULE 603 ATTEMPT TO INJURE;  
DELIBERATE INJURY OF OPPONENTS**

→ **Situation 1**

What penalty shall be assessed to a player who intentionally steps on an opponent?

A match penalty. Rule References 603(a).

Even though this infraction cannot be considered to be kicking an opponent, it still represents a very serious and dangerous violation of the playing rules and must be penalized.

---

→ **Situation 2**

If a player “bites” an opponent during an altercation, should this be considered an attempt to injure and a match penalty assessed?

Yes. Rule References 603(a).

A match penalty must be assessed whether or not there is actual injury.

---

→ **Situation 3**

What penalty shall be assessed to a Coach who attempts to injure an opponent or Official?

A match penalty.

Rule References 603(b) and 601(j.1 & j.2).

This situation must be reported to the proper authorities.

---

→ **Situation 4**

A player in an altercation has dropped his gloves and is wearing tape only on his left hand. He punches his opponent with his right hand, injuring him. Should the Referee assess a match penalty?

Yes. Rule Reference 603(c).

The Referee cannot be expected to determine which hand did the damage to the opponent. The Rule Book does not specify that the injury must be caused by the taped hand.

**→ Situation 5**

A player with taped hands injures an opponent during an altercation. During the same altercation he head-butts the same opponent. What penalties are assessed and what is the proper announcement?

Assess match penalties for both offenses, and have the reasons for same announced over the public address system. Rule References 603(c & d).

As with game misconduct penalties, it is possible for more than one match penalty to be assessed to one player for two incidents during the altercation.

**→ Situation 6**

Is there a proper signal to give when assessing a player a penalty for “head-butting?”

No. Rule Reference 603(d).

If a match penalty is to be assessed for this infraction, the proper signal for a Match Penalty must be given.

**RULE 604 BOARD CHECKING**

---

**→ Situation 1**

Should the Officials stop play immediately or allow play to continue until a change of possession whenever a player on the ice is body checked and crashes through a door or through the glass?

The Officials must stop play immediately. Rule References 604(a) and 502(a).

The Officials must stop play immediately any time any part of the playing arena becomes displaced, thus causing an unsafe condition. Situations like these have the potential for being very dangerous, and the Officials must be very alert to stop play immediately when they occur. However, in the instance where a player is checked through a penalty or players' bench door which has been inadvertently left unlocked, and the player resumes play immediately and the door is closed at once, play shall be allowed to continue.

---

**→ Situation 2**

Player A1 pushes teammate A2 into an opponent who is thrown against the boards violently enough to warrant a boarding penalty. Which Team A player is assessed the penalty?

A1. Rule Reference 604(a).

Even though A2 actually made contact with his opponent, A1 provided the momentum, so he must be the one penalized.

**RULE 605 BROKEN STICK****→ Situation 1**

What does the word “participate” mean when referring to a player who participates in play with a broken stick?

“Participate” shall mean playing or attempting to play the puck, body-checking or attempting to body-check an opponent, or continuing any action that directly affects the play. Rule Reference 605(a).

A player may carry a broken stick to his players’ bench only if he is in the immediate vicinity of the bench when the stick breaks, he is completely out of the flow of the play and he does so quickly and promptly.

**→ Situation 2**

A player has broken his stick, but is unaware of the fact that it is broken. What guidelines must be used when determining whether or not to assess a penalty?

Even if the player or goalkeeper is not aware of the fact that his stick is broken, he is still accountable for his actions. A minor penalty shall be assessed in this situation if he plays or attempts to play the puck, body-checks or attempts to body-check an opponent or continues any action that directly affects the play. Rule Reference 605(a).

The On-Ice Officials should verbalize to the offending player as much as possible in an effort to make the player realize that he has broken his stick.

**→ Situation 3**

A player on the ice breaks his stick during play. When he realizes that the stick is broken, he turns away from the play and skates immediately to his players' bench, still carrying the broken stick. While the player is skating to his players' bench, he does not attempt to play the puck or an opponent, nor does he become involved in the play in any manner. Should the Referee assess the player a minor penalty for not dropping his stick immediately?

It depends on the player's proximity to the players' bench at the time he realizes that his stick is broken. Rule Reference 605(a).

If the player is in the immediate vicinity of his players' bench (in the Neutral Zone area, for example) and does not have to skate near or around any players while skating to the bench, the Referee should allow the action to go unpenalized.

If the player has to skate a long distance to get to his players' bench (from the far corner, for example), he must be forced to drop the stick once he realizes that it is broken. If he doesn't drop his stick in this instance, he shall be penalized for his actions.

This call is not always so black and white. The intent of the player who is carrying the broken stick and the safety of all players shall always be the determining factors when making this judgment.

---

**→ Situation 4**

A player has his stick knocked from his hands while being body-checked. The stick is not broken, but the player elects to get a replacement stick at his players' bench. Is there a penalty to be assessed?

No. Rule Reference 605(a).

There is no rule violation unless the Referee determines that the player deliberately dropped his stick to interfere with play.

**→ Situation 5**

The goalkeeper breaks his stick and his teammate hands him a regular player's stick. May the goalkeeper legally play with this stick?

Yes. Rule References 605(b) and 301.

As long as the stick does not exceed the maximum measurements set forth for goalkeeper sticks, he can play with a "player's" stick.

**→ Situation 6**

A stick is thrown onto the ice from the players' bench to a player who has broken his stick. What penalty is imposed if the stick is picked up by any player?

A bench minor penalty is assessed to the team for throwing articles onto the ice. No penalty is assessed to the player for obtaining the replacement stick in this situation. Rule References 605(c & Note) and 601(c.2).

**→ Situation 7**

May a player on the ice carry two player's sticks, one which was obtained from the players' bench, so that he can give one to a teammate who has lost or broken his stick?

Yes. Rule References 605(c) and 301(f).

As long as the player does not participate in the play, he may carry a replacement stick to a teammate. Once he does participate in the play in any matter, however, he must be assessed a minor penalty for playing with more than one stick.

**→ Situation 8**

A player on the penalty bench hands a stick to a teammate whose stick has been broken. What penalty is imposed?

The offending team would be assessed a bench minor penalty. Rule Reference 605(c).

No penalty is assessed to the player who handed the stick to his teammate. The rule states that any replacement stick must come from the players' bench or a teammate on the ice.

**→ Situation 9**

A player of Team A breaks his stick and takes a replacement stick offered him by a Team B player serving a penalty on the penalty bench. What penalties, if any, are assessed?

The Team A player's team receives a bench minor penalty. No penalty should be assessed to the player who handed the stick to his opponent. Rule Reference 605(c).

---

**→ Situation 10**

The puck goes to a player who is carrying a replacement stick to his goalkeeper. Is it permissible for the player to drop the goalkeeper's stick and play the puck?

Yes. Rule Reference 605(c).

No infraction of the rules has occurred provided he does not throw the goalkeeper's stick in any manner, either at the puck or another player.

---

**→ Situation 11**

The goalkeeper breaks his stick. A player of the same team obtains a goalkeeper's stick at the players' bench and, in the act of taking the stick to the goalkeeper, he slides it along the ice to the goalkeeper. Is this action considered to be legal?

Yes. Rule References 605(c & d) and 621(a).

No penalty would be imposed unless in the act of doing so, the stick interferes with the movement of the puck or an opponent, in which case Rule Reference 636 (Throwing Stick) or 621(a) (Interference) would apply.

---

**→ Situation 12**

Is there a limit to the number of times that sticks can be passed from player to player on the ice, when one player is participating without a stick?

No. Rule References 605(c & d) and 301(f).

There is no penalty to be assessed as long as any replacement stick is received legally from the players' bench and no player participates in the play with more than one stick at a time.

**→ Situation 13**

If an Official sees a stick which appears cracked, chipped or splintered, is he permitted to have such stick removed from the game without assessing a penalty to the player in possession of it?

Yes. Rule References 605(a), 301(b) and 307(b). The stick should be immediately removed from the game and either sufficiently taped up or replaced.

Such a stick does not have to be considered broken, since it will most likely be fit for play (ability to control the puck). Although it may also not meet blade width dimension rules, that is not the intent of the penalty under Rule 301. The Referee merely deems the stick to be dangerous equipment, without requiring a request from the opposing team. As long as the player complies with the Referee's instructions, no penalty is necessary.

**RULE 606 CHARGING****→ Situation 1**

An attacking team's defenseman has possession and control of the puck in the Attacking Zone near the blue line. Noticing a defending player skating toward him, the defenseman shoots the puck into the near corner of the rink. After releasing the puck, he is body-checked by the opponent. Realizing that the defenseman has possession of the puck until another player touches the puck, what guidelines shall the Referee use when considering whether or not to penalize any subsequent contact after the defenseman has released the puck?

The Referee must penalize any unnecessary violent contact that could have been avoided, regardless of who has possession of the puck. Rule Reference 606(a) and 640(b).

The Official's decision will primarily depend upon the intent of the player who body-checks the opponent. Any time he makes no effort to stop or slow down when he is in a position to do so, a penalty must be assessed.

---

**→ Situation 2**

A goalkeeper, outside his privileged area, passes the puck to a teammate and is body-checked by an opponent before any other player touches the puck. Should a penalty be imposed on the opponent?

Yes, provided the player had sufficient time to avoid the check after the goalkeeper passed the puck. Rule References 606(b) and 640 (b).

A goalkeeper may be legally body-checked when he is outside his privileged area and in possession of the puck. But as soon as he gets rid of the puck, he may not be body-checked, unless the checking player did not have sufficient time to avoid the contact after the puck left the goalkeeper. A goalkeeper is not "fair game" just because he is outside his privileged area.

**RULE 607 CHECKING FROM BEHIND****→ Situation 1**

What criteria should be used when determining whether to assess a minor and a misconduct penalty, a major and game misconduct penalty or a match penalty for Checking from Behind?

The minor plus misconduct penalty must be assessed in the following situations: 1) A player, in an attempt to catch an opponent who is skating ahead of him and not near the boards, pushes the opponent from behind, causing him to fall to the ice. 2) A player makes minimal body contact from behind to an opponent who is in close proximity to him, and board contact is made. This check should be called as a minor and a misconduct as the result of this “pinch” against the boards from behind.

The major plus a game misconduct penalty, or match penalty, must be called in the following instances:

- 1) In every instance where a player takes more than two strides to check an opponent who is standing along the boards (back toward the middle of the ice).
- 2) In every instance where a player is thrust head first into the boards or goal frame.
- 3) In every instance where injury results from a check from behind, regardless of whether or not board contact is made.

Rule References 607(a & b).

Checking from behind is senseless and extremely dangerous. On-Ice Officials must be sensitive to all checks from behind that occur within the “danger zone,” which is the area approximately ten feet out from the boards. Players who are checked from behind in this area and who then crash into the boards may be at high risk of receiving a serious and possibly life altering injury. A match penalty for deliberate attempt to injure should also be considered for the more violent infractions of this rule.

## **RULE 608 CROSS-CHECKING AND BUTT-ENDING**

### **→ Situation 1**

A player checks an opponent with two hands on the stick and the blade of the stick on the ice. May this be considered cross-checking?

No. Rule Reference 608(a) Note.

A cross-check is a check delivered with the stick while the player has two hands on the stick and the blade off the ice.

---

### **→ Situation 2**

Under what circumstances should the Referee impose a major and a game misconduct penalty for butt-ending when there is no contact made?

The butt-ending rule applies whether or not actual contact is made. "Attempt to butt-end" includes instances where contact was attempted as well as where only the gesture occurred and there was no opportunity for actual contact because of the distance between the opponents. Rule Reference 608(c).

**RULE 609 DELAYING THE GAME****→ Situation 1**

Team A shoots the puck on goal. The shot hits the goalkeeper in the chest and rebounds into the air. The goalkeeper then bats the puck out of the air and out of the rink. The puck did not touch any other player or object before leaving the arena. Should the Referee assess a minor penalty for Delay of Game?

No. Rule Reference 609(a).

Even though the puck did not hit any person or object before leaving the rink, the goalkeeper did not have possession and control of the puck prior to the puck being batted out of the playing area. Had the goalkeeper caught the puck first, thereby gaining possession and control, and then batted the puck directly out of the playing area, a minor penalty for delay of game would be required.

**→ Situation 2**

When a goal post has been displaced intentionally, does the Referee or Linesman stop the play?

Any of the On-Ice Officials may stop play, but only the Referee may assess the penalty. Rule Reference 609(c).

Regardless of the intent of the player, the play must be stopped immediately if the goal post is displaced.

**→ Situation 3**

With both goalkeepers in goal, when should the Referee stop play and award a goal for deliberately displacing the goal?

In order for a goal to be awarded in this situation, the following criteria must be met: 1) The goal must be deliberately displaced by a defending team player or goalkeeper. 2) The puck would have undoubtedly entered the goal had the goal not been displaced. Rule Reference 609(c).

This situation generally occurs during a scramble in front of the goal when the defending goalkeeper is out of position with an attacking player in the process of shooting the puck into the open net. This is usually a last ditch effort by the defending team to prevent the goal from being scored. If, in the judgment of the Referee, the attacking team would have scored had the goal not been displaced, a goal must be awarded.

**→ Situation 4**

Should the Referee permit a team to begin play with fewer players than it is entitled to have on the ice, when it has other available players on the bench who may play?

No. Rule References 609(d) and 625(l).

There may be exceptions due to penalties or injuries where a team has a valid reason for starting play with fewer players on the ice than are permitted, but in most cases the reason would be to set up a “sleeper” play, hoping for a “break-away.” The Referee and Linesman should check for the proper number of players on the ice before each face-off. The Referee is within his authority to assess a bench minor penalty (after a warning) on a team refusing to comply.

---

**→ Situation 5**

Immediately after a goal has been scored, the entire scoring team leaves the players’ bench to congratulate the player who scored. Should a penalty be given for delaying the game?

No. Rule Reference 609(d).

This action, if kept to a minimum amount of time, is in keeping with the guidelines of sportsmanship in amateur hockey. If, however, the team gets into a situation where they are leaving after every goal and/or taking an unreasonable amount of time in doing so, the Referee shall warn the offending team. In these instances only, after the warning, the Referee shall impose a bench minor penalty for delay of game.

---

**→ Situation 6**

Play is stopped because of an injured player. As soon as the whistle blows, the player gets up and skates away, obviously faking the injury to obtain a stoppage of play. May the Referee call a minor penalty for delaying the game?

Yes. Rule References 609(d) and 206.

The Referee must assess a bench minor penalty if a player delays the game by faking an injury.

**RULE 610 ELBOWING AND KNEEING****→ Situation 1**

What criteria should be used when determining whether to assess a minor penalty or a major penalty for Elbowing or Kneeing?

The minor penalty will be assessed in most normal cases. The major penalty plus game misconduct penalty must be assessed any time injury results from the use of the elbow or knee to an opposing player. The major penalty shall be assessed in situations where injury does not occur, and also any time an elbow or knee is violently swung at a player with the obvious intent of making a high degree of physical contact. Rule References 610(a & b).

Both Elbowing and Kneeing penalties can be assessed as either a minor or major penalty, even though actual physical contact with an opponent may not have occurred.

## **RULE 611 FACE-OFFS**

### **→ Situation 1**

Which team's center must place the stick first on the ice for any face-off conducted at the center ice face-off spot?

The visiting team's center must place the stick on the ice first. Rule Reference 611(a).

In all face-offs not conducted along the center red line, the attacking team's center must be the first to place the stick on the ice.

---

### **→ Situation 2**

Is a center who is facing-off required to have the entire blade of the stick on the ice?

No. Rule Reference 611(a).

As long as any part of the blade touches the ice in the proper place, the player shall be considered ready for the face-off.

---

### **→ Situation 3**

Can a goalkeeper participate in a face-off?

No. Rule References 611(a), 301 and 303.

The rules do not permit a goalkeeper to take a face-off because of the measurement restrictions on his stick and protective equipment.

---

### **→ Situation 4**

Should a Linesman allow a player not taking the face-off to be in motion, and not in a stationary position?

Yes. Rule Reference 611(a).

A player not taking the face-off may be moving, provided he is outside the circle and on-side.

**→ Situation 5**

May a player have his stick between the hash marks that are meant to separate him from his opponent during a face-off?

No. Rule Reference 611(a).

Both players must be completely behind their respective hash marks. This includes all sticks and all skates.

---

**→ Situation 6**

The Linesman drops the puck and before it hits the ice, one of the centers hits the puck out of the air with the blade of his stick. Should the Linesman allow the play to continue?

Yes. Rule Reference 611(a).

As long as the player made a legal attempt to gain possession of the puck, the play shall be allowed to continue. If the Linesman had dropped the puck and it accidentally hit the stick or glove of either player facing-off, play must be immediately stopped and a new face-off conducted.

---

**→ Situation 7**

In the process of conducting an end zone face-off, whose responsibility is it to blow the whistle for the first premature entry into the circle by a player who is positioned behind the Linesman conducting the face-off?

The back Linesman is responsible for stopping play. Rule References 611(a) and 503, plus the USA Hockey Intermediate Officials Manual.

If the encroachment is continuous, after a few attempts at conducting the face-off, it is the responsibility of the Referee to assist in lining up the players or assessing a minor penalty for Delaying the Game.

**→ Situation 8**

Whose responsibility is it to blow the whistle for the first premature entry into the circle by a player who is in front of the Linesman conducting the face-off?

The Linesman conducting the face-off is responsible. Rule References 611(a) and 503, plus the USA Hockey Intermediate Officials Manual.

If the encroachment is continuous, after a few attempts at conducting the face-off, it is the responsibility of the Referee to assist in lining up the players or assessing a minor penalty for Delaying the Game.

---

**→ Situation 9**

A player taking a face-off, although on-side, is deliberately delaying getting set for the face-off. Should the Official conducting the face-off, after a minimum of five seconds have elapsed, drop the puck with only one player ready?

Yes. Rule Reference 611(c).

The Official must exhaust every possibility in an effort to get the player to line up promptly before the puck is dropped. The attempt to delay must be obvious.

---

**→ Situation 10**

A Linesman is set to drop the puck which is accidentally knocked out of his hand by a player taking the face-off. What procedure does the Linesman follow?

The Linesman conducting the face-off blows the whistle immediately. Rule References 611(e) and 503, and the USA Hockey Intermediate Officials Manual.

He must then determine the intent of the act and, if necessary, remove the offending player from the face-off. If the Linesman feels that this action occurred because the offending player was not promptly taking his position for the face-off, the Linesman should remove the offending player from the face-off. If the Linesman feels the action was deliberate, a misconduct or game misconduct penalty should be assessed to the offending player.

**→ Situation 11**

A false face-off occurs. After the whistle, if either team attempts to change lines, should the Referee permit this change?

No. Rule References 611(e) and 609.

The Referee must order all players attempting to change back to the players' bench. If there is any delay involved in getting the original line-up back on the ice, the Referee may assess a minor penalty for delaying the game, in which case substitutions shall be permitted.

**→ Situation 12**

During the second period, a player in his defending zone attempts to pass the puck to a teammate in the neutral zone. The puck strikes the glove of an opponent who, while seated on his players' bench, is inadvertently protruding a glove over the boards in the end zone, in the playing area. Where is the ensuing face-off?

At the nearest Neutral Zone face-off spot. Rule Reference 611(f).

The "attacking" player on the bench caused the stoppage of play, thus the face-off must take place in the Neutral Zone. Had the defending team been on that bench, the face-off would have occurred at the point where the puck was passed, as defined in face-off location Rule 611(g). If the Referee felt that the action of the player on the bench was deliberate, a minor penalty for interference would be assessed under Rule 621(b).

**→ Situation 13**

If an attacking player commits an infraction of the rules in his Attacking Zone after there has been a previous stoppage of play in that zone by a defending player (non-penalty), where is the face-off?

At the nearest Neutral Zone face-off spot. Rule Reference 611(f).

In this situation it makes no difference what penalty is assessed, or if it has occurred before or after a stoppage of play. The face-off must take place at the nearest Neutral Zone face-off spot.

**→ Situation 14**

A Team A player commits a penalty infraction in his Attacking Zone, and during the delayed calling of the penalty Team B advances the puck into its Attacking Zone, whereupon a Team B player commits a penalty infraction and play is stopped. Where is the ensuing face-off held?

At the nearest Neutral Zone face-off spot. Rule References 611(f) and 409(a).

The two infractions did not occur at the same time, even though they will be recorded as such. The reason play was stopped was because of the infraction committed by an attacking player in his Attacking Zone.

---

**→ Situation 15 (Junior and Adult Classifications only)**

The puck is shot into Team A's Attacking Zone with player A3 just inside the blue line. While the Linesman is correctly signaling a delayed off-side infraction on Team A, player B6 gains possession and control of the puck and attempts to move the puck out of the zone. During this attempt player B8 commits a minor penalty infraction. The Referee immediately stops play. Where is the ensuing face-off?

At the nearest Neutral Zone face-off spot. Rule References 611(f) and 626(f).

Even though the minor penalty infraction to Team B caused the stoppage of play, there was still a delayed off-side infraction on Team A. Because the delayed off-side was not nullified, the face-off must be conducted at the nearest Neutral Zone face-off spot.

---

**→ Situation 16**

The Referee has signaled a penalty against the attacking team. The defending team shoots the puck on the back of its own goal. Where does the face-off take place?

At the nearest Neutral Zone face-off spot. Rule References 611(f & g).

Regardless of the fact that the defending team caused the stoppage, the face-off must still be held in the Neutral Zone because of the penalty infraction to the attacking team.

---

---

**→ Situation 17**

A stoppage of play in the Defending Zone was caused by a defending player and the Official assessed the defending team a penalty. Subsequently, during the same stoppage of play, an attacking player is assessed a penalty. Where is the ensuing face-off?

At the nearest Neutral Zone face-off spot. Rule Reference 611(f).

This penalty situation shall not be considered to be a simultaneous penalty situation for the purpose of determining face-off location.

---

**→ Situation 18**

During play the Referee signals a delayed penalty on a Team A player in his Defending Zone. During the delayed whistle a Team B player plays the puck with a high stick. The Referee stops play due to this “high sticking” violation. The Referee then properly assesses the penalty to the Team A player. Where is the ensuing face-off?

At a Neutral Zone face-off spot near the Defending Zone of Team B, which caused the stoppage of play by high sticking the puck. Rule Reference 611(f).

Regardless of the fact that the penalty infraction was committed by a defending player in his Defending Zone, the ensuing face-off cannot take place in the Attacking Zone of a team that has just committed an infringement of a rule. This is the same face-off location as if Team B had iced the puck.

---

**→ Situation 19**

A player of the attacking team is assessed a penalty in his Attacking Zone, thereby forcing the face-off to the Neutral Zone. However, before play resumes a player of the defending team commits a foul and is assessed a penalty. Where is the ensuing face-off?

At the same Neutral Zone face-off spot. Rule Reference 611(f).

The penalty to the defending team took place with the puck in the Neutral Zone.

**→ Situation 20**

During play, Team A prematurely pulls its goalkeeper while Team B is in possession of the puck in its Defending Zone. The Linesman correctly delays the assessment of this “premature substitution” infraction. With Team B in possession of the puck, a Team B player high sticks the puck and play is stopped because no player on either team may legally play the puck. Where is the ensuing face-off?

At the nearest Neutral Zone face-off spot to where the puck was last played. Rule Reference 611(f).

Because each team has committed an infraction of the rules, no player may legally play the puck.

---

**→ Situation 21**

The Referee stops play and assesses minor penalties that occur simultaneously on one player of each team. If the stoppage takes place in the Attacking Zone of Team A, where is the ensuing face-off?

At the spot where the puck was last played, within face-off location rules. Rule Reference 611(g).

Because both infractions occurred during the play, the face-off cannot be taken outside of the zone as the result of an infraction by the attacking player.

---

**→ Situation 22**

Simultaneously, player A1 is assessed a double minor penalty and player B1 is assessed a single minor penalty. The stoppage of play occurred in the Attacking Zone of Team A. Where is the ensuing face-off?

Where the stoppage of play occurred, within face-off location rules. Rule Reference 611(g).

Regardless of the number or duration of penalties assessed to players of opposite teams, the face-off shall always be conducted where the stoppage occurred in this situation.

**→ Situation 23**

During the middle of the first period the timekeeper accidentally blows the horn. What procedure should the On-Ice Officials follow?

Blow the whistle and stop play immediately. Rule Reference 611(g).

As always, safety is one of our major concerns during all USA Hockey games. Play is dead the instant the horn blows, and the On-Ice Officials must blow their whistles to ensure that all participants are aware of this situation. The ensuing face-off will be conducted at the last play location, within the confines of the face-off rules.

**→ Situation 24**

As the whistle blows to stop play deep in the end zone of Team B, Team A has four players beyond the top of the face-off circles. Two opposing players start to push each other and this action is followed by a gathering of players. Is Team A responsible to have one of its players, already deep in the zone, move back out beyond the top of the face-off circle in order to avoid losing the face-off in the Attacking Zone?

No. Rule Reference 611(k).

Any players already beyond the tops of the face-off circles at the time of the whistle are permitted to stay there.

**→ Situation 25**

Because of physical size, a Mite player is unable to place his skates and stick within the prescribed areas at an end zone face-off spot and maintain balance. How should the player be required to line up?

The stick should be touching the white area of the face-off spot on the player's side of the spot. Rule Reference 611(a).

This may require the player's skates to be in front of the "L" lines parallel to the end boards, and possibly between the "L" lines parallel to the side boards. This should be permitted, and the "L" lines would be used as guides to ensure that the player is squared up properly.

**RULE 612 FALLING ON PUCK****→ Situation 1**

The Referee has signaled a penalty on player A1. The puck goes behind the Team A goal line and the Team A goalkeeper falls on the puck behind the goal line with his body entirely outside of the goal crease. Should he receive a penalty?

No. Rule References 612(b) and 409(b) Note 2.

The Referee will stop play to assess A1's penalty as soon as Team A gains possession and control of the puck. The goalkeeper is allowed to hold the puck for three seconds before being assessed a penalty. In this situation no penalty would be assessed to the goalkeeper since possession and control will occur before three seconds have elapsed.

---

**→ Situation 2**

The puck is in the goal crease. A defending player, lying on the ice outside of the crease, places his hand on the puck and pulls it out of the crease and into his body, thereby causing a stoppage of play. Does this situation call for a penalty shot?

Yes. Rule References 612(c) and Note.

The location of the puck at the instant it is covered or held is the determining factor as to whether or not a penalty shot is to be awarded. If the player bats the puck out of the crease and into his body, only a minor penalty would be assessed to the player so doing.

---

**→ Situation 3**

The puck is outside the goal crease. A defending player slides and covers the puck with his hand. His momentum, however, carries him into the goal crease with the puck and he is in the crease when play is stopped. Should a penalty shot be awarded?

No. The Referee must assess a minor penalty. Rule References 612(a & c).

The location of the puck at the instant it is covered or held is the determining factor as to whether or not a penalty shot is to be awarded. In this case the infraction occurred outside of the crease area.

**→ Situation 4**

The goalkeeper has been removed and another player substituted. When play reverses, a player takes up position in the goal crease. What happens if, while standing in the goal crease, he catches the puck, holds it or gathers it into his body?

A goal must be awarded if the player's action prevented a goal. That is, a goal would have resulted had the player not made contact with the puck. Otherwise, a penalty shot would be assessed. Rule Reference 612(c).

In this situation, if the puck is caught and dropped to the ice immediately, no penalty shall be assessed.

**→ Situation 5**

The goalkeeper has been removed and another player substituted. When play reverses, a player takes up position in the goal crease. What happens if he is lying on the ice in the goal crease and the puck is shot under him, remains there and a stoppage results?

No penalty shall be assessed. Rule References 612(c) and 615(d).

If the player makes any motion to deliberately cover the puck which would otherwise enter the goal, a goal would be awarded. However, if through no deliberate action of the player, the puck ends up under him while he is lying in the crease, no penalty would be assessed.

**→ Situation 6**

A goalkeeper leaves his crease and rushes forward to a loose puck inside his privileged area, in an attempt to beat a lone attacker who is also skating toward the puck. If the goalkeeper reaches the puck first and falls on it, causing a stoppage of play, should the Referee assess a minor penalty for Delaying the Game?

No. Rule Reference 612(b).

This action by the goalkeeper may be considered to be done "in the act of playing goal" and should not be penalized.

**→ Situation 7**

A goalkeeper in his goal crease dives on a puck that is outside of the goal crease, but his momentum carries him out of the goal crease. Should the Referee assess a minor penalty for Delaying the Game?

No. Rule Reference 612(b).

As long as some part of the goalkeeper's body is in contact with the goal crease when initial contact with the puck is made, this is considered to be a legal play.

---

**→ Situation 8**

A goalkeeper skates out of the goal crease to cut down the angle on a shooter. Immediately following the shot, the goalkeeper catches the puck in the air and holds it to obtain a stoppage of play. Should the Referee assess a minor penalty for Delaying the Game?

No. Rule Reference 612(b).

This action by the goalkeeper may be considered to be done "in the act of playing goal" and should not be penalized. If the goalkeeper had sufficient time to drop the puck and play it with no attacking players in his immediate vicinity, however, a minor penalty shall be assessed.

---

**→ Situation 9**

A goalkeeper skates out of the goal crease to cut down the angle on a shooter. Following the shot, the goalkeeper catches the puck in the air and drops it to the ice. He then decides to hold it against the boards, net, ice or his body to obtain a stoppage of play. Should the Referee assess a minor penalty for Delaying the Game?

Yes. Rule Reference 612(b).

This action by the goalkeeper is not considered to be done "in the act of playing goal" and should be penalized. If the goalkeeper had sufficient time to drop the puck to the ice he must be forced to play it.

**→ Situation 10**

A goalkeeper skates out of the goal crease to challenge a shooter. He stops the puck between his pads and holds the pads together until the Referee stops the play. Should the Referee assess a minor penalty for Delaying the Game?

No. Rule Reference 612(b).

This action by the goalkeeper is considered to be done “in the act of playing goal” and should not be penalized. If the goalkeeper had sufficient time to drop the puck and play it with no attacking players in his immediate vicinity, however, a minor penalty shall be assessed in the normal manner.

**→ Situation 11**

A goalkeeper outside of the goal crease stops a puck that is shot from the point. He does not control the rebound and the puck bounces about three feet away. The goalkeeper then dives on the puck, causing a stoppage of play. Should the Referee assess a minor penalty for Delaying the Game?

No - if the attacking team is in a position to pressure the goalkeeper.

Yes - If the goalkeeper is not being pressured and has an opportunity to play the puck with his stick.

Rule Reference 612(b).

This action by the goalkeeper may be considered to be done “in the act of playing goal” and should not be penalized, providing the attacking team is in a position to apply pressure on the goalkeeper.

➔ **Situation 12**

A goalkeeper who is completely outside of the goal crease and lying prone on the ice reaches out to cover the puck and gather it into his body. Should the Referee assess a minor penalty for Delaying the Game?

No, if the puck is within his privileged area in front of the goal line. Rule Reference 612(b).

This action by the goalkeeper may be considered to be done “in the act of playing goal” and should not be penalized.

However, in this situation if the puck is behind the goal line or outside of the privileged area, a minor penalty for Delaying the Game must be assessed.

---

➔ **Situation 13**

A goalkeeper who is completely outside of the goal crease and lying prone on the ice has the puck shot into his body or equipment. A stoppage of play ensues. Should the Referee assess a minor penalty for Delaying the Game?

No. Rule Reference 612(b).

This action by the goalkeeper was not done in a deliberate manner as the puck was shot into him while he was already in that position.

**RULE 613 FISTICUFFS (FIGHTING)****→ Situation 1**

May a fighting penalty be called on a player who, with his gloves on, punches an opponent?

Yes. Rule Reference 613(a).

Fighting may be called even though the gloves are still on the players' hands.

**→ Situation 2**

Two players on the same team become involved in a fight with each other during a game. What penalties, if any, shall be assessed?

If the fight occurs on the ice, both players shall be assessed a game misconduct penalty and the offending team shall be assessed a bench minor penalty for Delaying the Game. If the fight occurs off the ice, both players shall be assessed a game misconduct penalty. Rule References 613(a & b), 601(e.2) and 609(d).

It is not feasible to assess the two players each a major and a game misconduct penalty, because the team would have to play short-handed by two players for five minutes. Likewise, a "first to intervene" penalty would not apply to a player on the same team who attempts to break up the fight.

**→ Situation 3**

During the course of an altercation, a player involved elbows the opposing combatant. Should the Referee assess the minor penalty for Elbowing in addition to the major and game misconduct for fighting?

No. Rule References 613(a & b).

If during the course of the fight one player held or elbowed the other, a penalty for holding or elbowing should not be added to the penalty for fighting.

However, should the holding or elbowing be the infraction that precipitated the fight, one offense leading to the other, then both offenses must be penalized.

→ **Situation 4**

What penalty or penalties are imposed upon a Coach who becomes involved in a fight with a player on the ice?

A match penalty. Rule References 613(c) and 601(j.2).

---

→ **Situation 5**

Can there be more than one “first to intervene” during the same altercation?

Yes - only in the instance in which players of opposing teams enter the altercation at exactly the same time. Rule Reference 613(d).

The game misconduct penalty(s) shall apply only to the “first” player to intervene in an altercation then in progress.

---

→ **Situation 6**

What would happen to a player who is the first to intervene in any altercation which is separate from the original altercation then in progress?

A game misconduct penalty shall be assessed. Rule Reference 613(d).

The game misconduct penalty shall apply to only the first player to intervene in an altercation. Thus, if there are two separate altercations occurring during the same stoppage, and a different player is the first to intervene in any altercation, they shall both be penalized under this rule.

---

→ **Situation 7**

A player is the first to enter an altercation, acting only as a peacemaker. Shall he be subject to the rules that govern the first to intervene?

Yes. Rule Reference 613(d).

Regardless of the reason, the first player to enter any altercation shall be assessed a game misconduct penalty.

**→ Situation 8**

During the course of an altercation, a third player enters the altercation and continues fighting with the opposing player. Should the Referee assess the game misconduct for being the first to intervene in the altercation, or the major and game misconduct penalty for fighting?

In the instance where the third player to enter the altercation actually ends up being involved as a combatant, the Referee shall assess the normal penalties for fighting in lieu of the penalty for being the “first to intervene.” Rule Reference 613(d).

It is important for the Officials to establish the difference between the player who enters the altercation as a peacemaker and one who enters the altercation to engage himself in the fight. In the latter case, the fighting penalty must be assessed because it is the stricter of the two infractions. A one game suspension applies for any game misconduct.

**→ Situation 9**

What constitutes an altercation?

For any kind of interaction between two opposing players to be called an altercation, there must be at least one penalty assessed. Rule Reference 613(d).

Thus if there is pushing and shoving between two players and a third player moves in between them, thereby effectively stopping the pushing and shoving, and the Referee feels that no penalty should be assessed to either of the first two players, Rule 613(d) may not be applied and there can be no game misconduct penalty imposed on the third player.

If, however, in the same situation one of the “pushes” becomes slightly elevated to the point where it takes on the appearance of a punch to the head and the Referee determines the effort worthy of a penalty, then the third player must be assessed the game misconduct penalty when he steps in between the two opposing players.

**→ Situation 10**

Can a major penalty for roughing be assessed in order to avoid the automatic game misconduct penalty required when a fighting major penalty is assessed?

No. Rule References 613(e) and 640(b).

The Referee has a great variety of penalties to call to differentiate various degrees of participation in an altercation. However, a major penalty for roughing can only be assessed for body checking an opponent after the whistle has blown, for a late avoidable body check or body checking in a non-checking classification.

The Referee should not attempt to manipulate the Rule Book. A game misconduct was added to the fighting major penalty for a specific reason and has been in effect for many years now. It is widely believed that it is doing the job it was intended to do, namely reducing the amount of fighting during hockey games. Regardless of a Referee's personal feelings about the need for or the desirability of fighting in a hockey game, he is expected to apply the rules within the intent of those rules. He will lose considerable credibility if, after many punches have been thrown by one or both players involved in an altercation, he assesses only roughing penalties.

---

**→ Situation 11**

A player becomes involved in several altercations during the same stoppage of play. Can he be assessed more than one game misconduct penalty?

Yes. Rule Reference 613(e).

Where a situation arises that warrants the assessment of multiple game misconducts to a player or players, the Referee should ensure that all game misconducts are assessed and recorded on the Official Game Report. It is advisable, however, that only one game misconduct per player is announced.

**→ Situation 12**

The Linesman is trying to stop a fight between two players, but before he can break it up, one player bites the other on the finger causing profuse bleeding. Should the Referee assess the offender a match penalty for deliberate injury and, if so, should he be assessed a fighting penalty as well?

Yes. Rule References 613(e) and 603(a).

The Referee should assess a match penalty as well as the fighting penalty. As a general rule, assess the most serious penalty which occurs during any single altercation and do not penalize the lesser offenses. In this situation, however, both penalties are serious and must be assessed.

**→ Situation 13**

A player becomes involved in a fight and is subsequently assessed a major and a game misconduct penalty for his involvement. He leaves the ice surface and proceeds to the dressing room. Later in the same game another fight occurs and the player who had previously been ejected returns to the ice surface to enter into the fight. What penalty should be assessed to that player for re-entering the game?

A game misconduct or match penalty shall be assessed, depending on whether or not play has resumed after the initial altercation. Rule References 613(e), 601(e.2) and 601(g.3).

Had play resumed prior to the player re-entering the ice surface, a match penalty shall be assessed.

Conversely, if play had not resumed and the player re-entered the ice surface after being escorted off the ice and the door being closed behind him, an additional game misconduct penalty shall be assessed.

**→ Situation 14**

If a fight occurs in the immediate vicinity of the goal crease, should the goalkeeper be allowed to go to his own players' bench?

Yes. Rule Reference 613(f).

With the permission of the Referee, the goalkeeper may proceed to his own bench. The Referee should, in this instance, immediately give permission for the goalkeeper to leave his crease area. If, however, during fights in other areas the goalkeeper leaves on his own accord, he must be assessed a minor penalty.

---

**→ Situation 15**

When an altercation occurs in the immediate vicinity of the players' bench, where should the Referee direct the on-ice non-participants?

To their respective goal areas. Rule Reference 613(f).

The purpose of this rule is to get both teams separated from each other by a substantial distance. This practice eliminates subsequent altercations from breaking out.

---

**→ Situation 16**

Do the On-Ice Officials have a responsibility to intervene into an altercation that occurs off the playing surface?

Unless the altercation occurs on or near the playing surface (including the players' and penalty benches), the On-Ice Officials do not have a responsibility to intervene. Rule Reference 613(f).

When an altercation occurs in the walkway that leads to the dressing rooms or in a similar area, the Officials must observe the incident from the ice, if possible, but are not to intervene. Intervention by the Officials in an off-ice environment provides too much of an opportunity for the Officials to become involved with the spectators, coaches, etc.

**→ Situation 17**

Opposing players are involved in an altercation and their helmet(s) come off prior to or during the altercation. It cannot be determined how the player's helmets came off. Does this constitute a rule violation?

All players are responsible for properly wearing their helmet and facemask at all times. If a player participates in an altercation without their helmet properly worn then they should be assessed a game misconduct penalty along with any other penalties they may have incurred as a result of the altercation. Rule Reference 613(g).

## **RULE 614 GOALS AND ASSISTS**

### **→ Situation 1**

The Referee is caught behind the play. The Linesman who is covering for him skates deep into the Attacking Zone with the play and positions himself beside the goal to observe the outcome of the play. A goal is scored which is not observed by the Referee. What procedure does the Linesman employ?

Whether or not the goal light goes on, the Linesman shall signify the scoring of the goal by pointing to the goal and blowing the whistle to stop play. He shall notify the Referee of his observations immediately. Rule Reference 614 Note.

The Referee must be alert to the front Linesman's actions and respond accordingly.

---

### **→ Situation 2**

The goal is tipped forward from behind as the result of player contact with the goal. The goal posts remain anchored to their position on the goal line. However, the cross bar pivots forward and down. Can a goal be scored while the goal is in this position?

No. Rule Reference 614(a).

The goal is considered to be displaced when the goal frame moves, causing the goal posts to no longer be on the same plane as the goal line (extended).

---

### **→ Situation 3**

Can a player against whom a delayed penalty is signaled be credited with the scoring of a goal?

Yes. Rule Reference 614(b).

Whenever a player of the non-offending team shoots the puck into his own goal without any action from the offending team and the player to be assessed the penalty was the last player of the offending team to have possession of the puck, he shall be credited with the goal.

**→ Situation 4**

The puck is shot by either an attacking or defending player and hits an Official. After hitting the Official, the puck hits the boards then rebounds into the goal. Is the goal allowed?

Yes. Rule References 614(e) and 611(i).

No goal may be scored from a direct deflection off an Official. However, if the puck deflects off an Official and then off any other obstruction, other than the goal post or cross bar, including any player, the goal must be allowed.

**→ Situation 5**

Where is the ensuing face-off if the puck goes off a Linesman in the Neutral Zone and directly into an unattended goal?

At the nearest end zone face-off spot of the goal it entered.  
Rule References 614(e) and 611(i).

Of course the goal would be disallowed. Any time the puck enters the goal after being deflected directly into the goal by an Official, the face-off shall take place at the nearest end zone face-off spot.

**→ Situation 6**

During a scramble around the goal, the back end of the goal frame is accidentally lifted off the ice for a brief moment, but the goal posts remain properly positioned on the goal line. A pass from behind the goal goes under the goal frame and directly out in front of the goal. An attacking player then legally shoots the puck into the goal. Is the goal considered to be legal?

No. Rule References 614(g) and 103(a).

Even though the puck was legally propelled into the goal, the manner in which the pass was obtained from behind the goal was illegal. It is not necessary to blow the whistle every time the goal frame lifts off the ice. However, the Official must stop play at the instant the puck goes under the goal frame and enters the goal.

➔ **Situation 7**

Player A1 shoots the puck which hits the goalkeeper and rebounds out to teammate A2. Player A2 then shoots the puck into the goal. Does the player who took the initial shot (A1) deserve an assist?

Yes. Rule Reference 614(i).

**RULE 615 HANDLING PUCK WITH HANDS****→ Situation 1**

What guidelines should be followed in allowing a player to catch the puck and immediately drop it?

A player is not given three seconds in which to drop the puck nor may he take one or more strides while holding the puck. He may not fake as if to drop it somewhere else. The motion of catching, then dropping the puck, must be virtually one continuous motion. While no specific time is given in which to drop the puck, the move to get rid of it must take place immediately. Rule Reference 615(a).

In addition, “dropping” does not imply “throwing.” While a player may bat the puck the length of the ice with his hand, he may not catch the puck and then throw it away from his body. The puck must be dropped to the ice in his immediate vicinity.

**→ Situation 2**

Is a goalkeeper permitted to catch the puck and throw it (to the side or rear) directly to a teammate, who gains immediate possession, without incurring a stoppage of play?

Yes. Rule References 615(c & e).

The puck may not be caught and then hand-directed to a teammate by a “player,” but the intent is to exclude the goalkeeper from this restriction provided the puck is not thrown “forward.” “Forward” is considered to be anywhere in between two imaginary lines, one at each goal post, extending to the nearest end zone face-off spot.

**→ Situation 3**

What are the guidelines when determining the legality of a Defending Zone hand pass?

For this pass to be legal, one condition must be met - the puck must be in the Defending Zone both when the pass originates and when it is completed. Rule Reference 615(e).

The locations of the player passing and receiving this pass are not factors in determining legality. The defending blue line is considered to be a part of the Defending Zone for purposes of this rule.

---

**→ Situation 4**

The puck is batted with the hand by a player in his Attacking Zone, hits an opposing player or goalkeeper, then rebounds back out and is picked up by another player of the team that batted the puck. Should the Referee stop play or allow it to continue?

He shall stop play. Rule Reference 615(e).

An opposing player must have at least momentary possession and control of a hand-batted puck, otherwise it is still considered to be a hand pass. In this case the puck was, in effect, batted by hand to a teammate, and play should be stopped as soon as the teammate plays the puck.

---

**→ Situation 5**

The puck is batted with the hand and deflects off the goalkeeper directly back to the attacking player who batted it. Should the Referee stop play?

No. Rule Reference 615(e).

In this situation the attacking player, in effect, hand-batted the puck to himself, because the goalkeeper did not gain possession and control of the puck. A goal scored legally with his stick immediately following this type of action would be allowed.

**→ Situation 6**

The puck is batted with the hand, hits the body of a teammate, then is picked up by an opposing player. Should play be stopped?

No. Rule Reference 615(e).

The play shall not be stopped unless the teammate plays the puck. The fact that the puck deflects off him does not constitute possession and control.

---

**→ Situation 7**

The puck is batted forward with the hand, hits the shaft of the stick of the player batting the puck, then goes directly into the opposing goal. Does the goal count?

No. Rule Reference 615(e).

The deflection off the stick does not alter the fact that the puck was propelled into the goal by the hand.

---

**→ Situation 8**

With the puck in the Neutral Zone, it is batted with the hand backwards to a teammate who is in his Defending Zone. When the player in the Defending Zone gains possession and control of the puck, play is stopped. Where is the ensuing face-off?

At the place where the puck was played by the teammate. Rule Reference 615(e).

On a forward hand pass, the ensuing face-off takes place where the puck was batted. On a backward hand pass, the ensuing face-off takes place where the puck was next played. Using this procedure, the offending team never gains a territorial advantage for a hand pass infraction.

---

**→ Situation 9**

Is the goalkeeper included under the rule which permits a hand pass that occurs totally in the Defending Zone, even if the hand pass is in a “forward” direction?

Yes. Rule References 615(c & e).

While the goalkeeper is not permitted to “throw” the puck forward (see Situation 2 under this rule), this implies catching the puck in his glove, closing his hand and then directing it. A hand pass occurs with the front or back of an open hand.

---

## **RULE 616 HEAD CONTACT**

### **→ Situation 1**

How much force must be behind a check or other contact to assess a penalty for Head Contact?

The degree of contact does not matter as much as the Referee's opinion of the intent of the player who initiates the contact. Rule Reference 616(a).

This rule has appeared in our rule book with a lesser penalty structure for many years. It was located under Rule 601, Unsportsmanlike Conduct. In order to bring a new awareness to this type of contact, the verbiage now exists under its own rule.

Many infractions need only be minor penalties. In most cases, these would have been called under the old rule. Officials are now being asked to penalize those actions which would have been "gray area" (i.e., most of the time no penalty at all) infractions.

Those infractions which were clearly minor penalties in the past may need to be moved up to major penalties. This will send a message to both teams that this contact is not going to be tolerated. The vast majority of our membership plays on a recreational basis, and it is unacceptable to jeopardize their well-being from an intentional or reckless check or other contact to the head area.

**RULE 617 HIGH STICKS****→ Situation 1**

How much force must be behind a stick in order to assess a penalty for high sticking when it makes contact with an opponent's head or neck?

If the stick does make contact with the head, the Referee must assess the penalty. Rule Reference 617(a).

There seems to be a common complaint throughout the hockey community relating to an increase in sticks being carried above the shoulder and the escalating contact being made with sticks to the head. The main reason cited for this increased rule violation is, with the added head protective equipment now required, players are not worried about doing damage to an opponent.

While this may or may not be an accurate assessment, Officials cannot be overly preoccupied with the reasons why. What we must be primarily concerned with is making the appropriate high sticking calls when they occur. The fact that a player's head is now adequately protected and will likely not have head injuries does not absolve Officials from penalizing high sticking offenders any time contact is made.

**→ Situation 2**

Must contact with an opponent occur in order for the Referee to assess a penalty for high sticking?

No. Rule Reference 617(a).

It is not a requirement that a stick make contact above shoulder height for high sticking to be called. Whenever a player raises his stick above his shoulders in an attempt to intimidate an opponent or delay his progress, high sticking must be called.

**→ Situation 3**

Should a major penalty and a game misconduct penalty for high sticking be assessed to a player who is body checked and who, as he is falling to the ice, cuts an opponent on the head with his “high” stick?

Yes. Rule Reference 617(b).

The player must be assessed a major and a game misconduct penalty. Rule 617(b) makes no exception for players who are checked. Such players are still expected to have their sticks under control at all times.

---

**→ Situation 4**

An attacking player deflects the puck with his stick, which is above the height of the shoulder. The puck deflects off a defending player’s body and into the goal. Does the goal count?

No. Rule References 617(c & d).

The puck must come into possession and control, however briefly, of the defending player for it to be considered “batted to an opponent.” A deflection in this case would not be considered possession and control.

---

**→ Situation 5**

An attacking player deflects the puck with his stick, which is above the height of the shoulder. The puck deflects off a defending player’s body to another attacker, who shoots the puck into the goal. Does the goal count?

No. Rule References 617(c & d).

The puck must come into possession and control, however briefly, of the defending player for it to be considered “batted to an opponent.” A deflection in this case would not be considered possession and control, thus play shall be stopped.

---

**→ Situation 6**

A defending player high sticks the puck in his Defending Zone to his own goalkeeper. When is play stopped?

When the goalkeeper gains possession and control of the puck. Rule Reference 617(d).

---

**→ Situation 7**

A player has his stick blade above the height of the shoulders. The puck strikes the butt-end of the stick, which is below the height of the shoulder, and goes into the goal. Should the goal be allowed?

No. Rule References 617(c & d).

When any part of the stick is carried above the shoulders, the entire stick is considered to be high. Therefore, in this case, no goal can be allowed and the ensuing face-off is held at a Defending Zone face-off spot of the offending team.

---

**→ Situation 8**

The puck is deflected directly out of the rink by an attacking player's high stick in his Attacking Zone. Where is the ensuing face-off?

At an end face-off spot in the offending player's Defending Zone. Rule Reference 617(d).

Even though no player has subsequently played the puck after the infraction, the intent of the high stick rule is to keep the sticks below the height of the shoulder. The violation would be considered to be complete as soon as the puck became unplayable.

---

**→ Situation 9**

The puck is deflected into the goal crease by an attacking player's high stick. The goalkeeper immediately covers the puck, causing a stoppage. Where is the ensuing face-off?

At an end face-off spot in the offending player's Defending Zone. Rule Reference 617(d).

Even though an opponent has "played" the puck by falling on it, the intent of this exception to the rule has not been satisfied. The goalkeeper has not elected to "play" the puck in a manner that would allow play to continue, but has instead determined to stop play and, in effect, allowed the high stick violation to be penalized.

**→ Situation 10**

Where does the face-off take place when an attacking player in the Attacking Zone bats the puck with his stick above the height of his shoulders and, as a result, the puck goes into the corner and is touched simultaneously by opposing players?

At an end face-off spot in the offending player's Defending Zone. Rule Reference 617(d).

The high stick violation is considered to be completed because the puck was not in possession and control of the opposing team.

---

**→ Situation 11**

Team A high sticks the puck in its Defending Zone, and the puck moves into the Neutral Zone, where a Team B defenseman strikes the puck with a high stick and the puck leaves the rink. Where is the ensuing face-off?

At an end face-off spot in Team B's Defending Zone. Rule Reference 617(d).

Even though both teams have committed an infraction, once the Team B player strikes the puck with his high stick, possession of the puck is established and the violation against Team A is nullified. The stoppage was caused by Team B, and since it was a "high sticking the puck" violation, the normal rules regarding face-off location would apply.

---

**→ Situation 12**

A player high sticks the puck which deflects to an opponent. The opponent makes no attempt to play the puck, hoping to get a face-off in the offending team's Defending Zone when the puck is first played by a member of the offending team. What should the Referee do?

The Referee should stop play and the ensuing face-off shall take place at an end face-off spot in the Defending Zone of the offending team. Rule Reference 617(d).

The non-offending team has no obligation to play the puck in this instance, because of the high stick infraction committed by the opposing team.

**→ Situation 13 (Junior and Adult Classifications Only)**

Team A has a player trapped deep in the Attacking Zone when a Team A player shoots the puck into the zone. The Linesman correctly signals a delayed off-side. A Team B player plays the puck with the blade of his stick two feet over his head, and he is the next player to play the puck. The Referee stops play with the puck in the Defending Zone and the off-side Team A player still in the zone. Where is the face-off?

At the nearest Neutral Zone face-off spot. Rule References 617(d) and 626(f).

Even though the puck was played with a high stick, the original infraction was off-sides.

**→ Situation 14 (Junior and Adult Classifications Only)**

Team A has a player deep in the Attacking Zone as a teammate high sticks the puck to him, creating an off-side when he gains possession of the illegal pass. Where is the ensuing face-off?

At an end face-off spot in Team A's Defending Zone. Rule Reference 617(d).

Team A has committed two infractions during the same play. For purposes of determining face-off location in this instance, the more severe infraction shall take precedence.

**→ Situation 15**

The puck is played with a high stick by a Team A player in his Attacking Zone. It deflects off a teammate and goes directly to an opponent who has a clear opportunity to advance the puck. Shall this play be permitted to continue?

Yes. Rule Reference 617(d).

For play to be stopped for the high stick violation, an offending team player must be the first to gain possession and control of the puck. A deflection off of a player from either team would not cause the play to be completed. The exception to this rule is when the high-sticked puck goes directly on the goal of the non-offending team, which calls for an immediate stoppage of play and a face-off in the defending zone of the offending team.

## **RULE 618 HOLDING AN OPPONENT**

### **→ Situation 1**

A Team A player holds the stick of a Team B player against the ice, preventing the Team B player from getting to the puck. Is this a legal action?

No. Rule References 618(a) and 619.

Depending on the degree of force applied, such stick to stick contact may be considered to be holding or hooking.

---

### **→ Situation 2**

What criteria should be used in determining when to assess a minor penalty for holding or a major plus a game misconduct for grabbing an opponent's facemask?

The major and game misconduct penalty should be assessed any time it is apparent that the offending player has placed his fingers inside the facemask in such a manner that he has virtual control over the movement of the opponent's head and neck. Rule Reference 618(b).

There is no provision for any other penalty assessment. If the facemask is merely pushed with the open hand, perhaps in an attempt to get the opponent away from the area, and there is no grabbing of the facemask, then Rule 618(b) does not apply.

**RULE 619 HOOKING****→ Situation 1**

A player hooks the stick of another player causing him to lose possession of the puck. Is this a legal action?

No. Rule Reference 619(a).

Although a stick lift is an accepted checking technique, hooking the stick is not.

**→ Situation 2**

An attacking player is skating toward his opponent's goal, preparing to release a shot on goal. Just as he releases the shot he is hooked from behind and falls to the ice. The Referee does not signal a penalty infraction and, at the next stoppage, explains that the player got a good shot off, thus no penalty was assessed. Was the Referee correct in this interpretation?

No. Rule Reference 619(a).

The Rule Book specifically states that any impeding or attempted impeding of an opponent by "hooking with the stick" should be penalized as hooking. Nowhere does it mention that a shot being taken, whether it is a strong or a weak shot on goal, has any effect on the assessment of the penalty.

**→ Situation 3**

What would be examples of an infraction warranting a major penalty for hooking.

Rule Reference 619(a).

- (1) A player is hooked around the waist, and the offending player is able to steer the opponent violently into the boards or goal frame.
- (2) A player is hooked between the legs and the offending player uses the blade of the stick to inflict a high level of pain to the opponent. This could also be penalized under Sparring.

## **RULE 620 ICING THE PUCK**

### **→ Situation 1**

The puck is shot from behind the center red line and lands on top of the goal of the opposing team. Should icing be called?

Yes. Rule Reference 620(a).

Even though the puck comes to rest on top of the goal, it has completely crossed the goal line and therefore icing must be called.

---

### **→ Situation 2**

The puck is shot over the opposing team's goal line by a player who has both skates behind the center red line. However, the puck does not leave the stick until the blade has crossed the center red line. Should icing be called?

No. Rule Reference 620(a).

It is the position of the puck the moment the puck leaves the stick that determines whether or not there is a potential icing infraction.

---

### **→ Situation 3**

For icing purposes, how high does the goal line extend?

Indefinitely. Rule References 620(a) and 103.

The goal lines extend horizontally across the entire width of the playing area and also vertically extending indefinitely.

**→ Situation 4**

A player in his Defending Zone shoots or passes the puck to a teammate still on his defending side of the center red line. The puck deflects off this player's stick and goes the remaining length of the ice in the air, leaving the rink above the opposing goal. Is the Official correct in declaring this to be a "puck out of bounds" situation, with the face-off being held at the spot of the deflection (near center ice).

No. Rule Reference 620(a).

The fact that the player deflected the puck out of the rink has no bearing other than the fact that it was done before the center line. Under these conditions, the Official must rule the play as "icing" and conduct the face-off at the spot adjacent to the goal of the team that originally passed/shot the puck.

If the puck were deflected beyond the center red line or by an opponent, the Official would be correct in ruling this out of bounds (no icing) and then facing-off the puck at the spot of the deflection, as defined in Rule 611(g).

**→ Situation 5**

The puck is shot by a player from his defending half of the Neutral Zone and hits a teammate (body or stick), who is completely behind the center red line. The puck continues down the ice and crosses the goal line of the opposing team. Should icing be called?

Yes. Rule Reference 620(a).

The deflection is in the defending player's half of the ice, so the icing infraction must be called.

**→ Situation 6**

The puck is shot by a player from his defending half of the Neutral Zone and hits a teammate, who is also in the Neutral Zone but completely over the center red line. The puck continues down the ice and crosses the goal line of the opposing team. Should icing be called?

No. Rule Reference 620(a).

In this situation the deflection occurred beyond the center red line, so the icing infraction is nullified.

**→ Situation 7**

The puck is passed from behind the center red line and deflects off a teammate's stick. It continues down the ice, crossing the goal line of the opposing team. The player deflecting the puck has both skates on or behind the center red line, but his stick is over the center red line. Should icing be called?

No. Rule Reference 620(a).

It is the position of the puck at the moment it is deflected that determines whether or not an icing infraction has occurred.

---

**→ Situation 8**

At which end face-off spot does the face-off take place following an icing?

The face-off takes place at the end face-off spot on the side of the ice from which the puck was shot or passed. Rule Reference 620(a).

On which side of the ice the puck crosses the goal line is not a factor in determining face-off location.

---

**→ Situation 9**

A player shoots the puck into his opponent's Defending Zone. The puck leaves the stick directly on the center red line. Is this a potential icing?

Yes. Rule References 620(a) and 105(b & c).

The determining edge of the center red line is the edge of the line further from the half of the ice in which the puck is located. When it is unsure as to where the puck exactly left the stick, the Linesman should always give the player shooting the puck the benefit and wash out the icing infraction.

**→ Situation 10**

Immediately after icing has been called on Team A by the Linesman, a Team A player cross-checks an opponent and receives a minor penalty. Where shall the ensuing face-off occur?

At a face-off spot in Team A's Defending Zone. Rule Reference 620(a) Note 1.

Conversely, had Team B committed a penalty infraction, the face-off would take place at a Neutral Zone face-off spot nearest to Team A's Defending Zone.

**→ Situation 11**

With one second remaining in a penalty to Team A, a Team A player ices the puck. By the time the puck crosses the goal line, Team A is back at full strength. Is this an icing situation?

No. Rule Reference 620(a) Note 2.

Icing is determined the instant the puck is shot and not at the instant the puck completely crosses the goal line.

**→ Situation 12**

The puck is shot from behind the center red line and enters the goal of the opposing team. Should icing be called?

No. Rule Reference 620(a).

A goal must be awarded in this instance.

**→ Situation 13**

The puck is shot from behind the center red line, continues down the ice and comes to a stop on the goal line. Shall icing be called?

No. Rule References 620(a) Note 3 and 103(e).

The width of the goal line is considered to be a part of the line. In order for icing to be called, the entire puck must completely cross the edge closer to the end boards.

**→ Situation 14**

On an icing the puck situation, the puck, after being shot from behind the center red line, hits the cross bar of the goal and deflects in front of the goal. Is this considered to be icing?

No. Rule Reference 620(a) Note 3.

The entire puck must completely cross the goal line in order for icing to be called.

---

**→ Situation 15**

The puck is shot by an attacking player and rebounds off a defending player in his defending half of the ice. The puck travels down the ice and crosses the goal line of the attacking player who shot the puck. Should icing be called?

No. Rule Reference 620(a) Note 4.

Any time the puck is shot by an attacking player and rebounds from the body or stick of an opponent in his own half of the ice, so as to cross the goal line of the player shooting it, icing shall not be called.

---

**→ Situation 16**

The puck is dropped on a face-off and both sticks make initial contact with the puck, but the puck remains near the face-off spot. The center, in whose defending half of the ice the face-off occurred, gains possession an instant later and shoots the puck the length of the ice. Is this an icing infraction?

Yes. Rule Reference 620(c).

In order for the icing to be nullified because the puck was shot by a player directly from a face-off, the puck must receive its impetus from the initial stick contact on the face-off.

**→ Situation 17**

The puck is shot from behind the center red line and continues toward the opposing team's goal line. An opposing player starts moving toward the puck but then turns away before the puck crosses the goal line. Is icing still in effect?

No. Rule References 620(d) and Note.

The opposing team must make every effort to play the puck before it crosses the goal line. Should the Official feel as though the opposing team, other than the goalkeeper, was able to play the puck, icing shall be nullified.

---

**→ Situation 18**

The puck is shot from behind the center red line. An opposing player has a reasonable opportunity to play the puck, but instead turns to body check the attacking player. Is icing still in effect?

No. Rule References 620(d) and Note.

The icing must be washed out the moment the player refrains from playing the puck.

---

**→ Situation 19**

The puck is shot from behind the center red line and continues toward the goal line. The goalkeeper moves out a few feet to play the puck, but refrains from doing so, and the puck crosses the goal line. Is icing still in effect?

Yes. Rule References 620(d) and Note.

The goalkeeper is not required to play the puck during an icing situation.

---

**→ Situation 20**

The puck is shot from the defending half of the ice, thereby creating a potential icing situation. An opposing player has a reasonable chance to play the puck. He chooses, however, to coast toward the puck as it nears the goal line. Is icing still in effect?

No. Rule References 620(d) and Note.

The defending player must make a reasonable effort to play the puck.

---

**→ Situation 21**

An icing situation is created as the puck is shot past the defending team's players' bench. The defending team, in the process of making a line change, elects to let the puck continue down the ice in fear of being called for "too many players on the ice" if it is played. Is icing still in effect?

No. Rule References 620(d) and Note.

Icing must be nullified if one player of that team had a reasonable chance to play the puck, but didn't.

---

**→ Situation 22**

A player shoots the puck in the air from behind the center red line. An opposing player attempts to play the puck in the air but is unable to because of the speed of the puck. Should icing still be in effect?

Yes. Rule References 620(d) and Note.

A player who is making an attempt to play the puck cannot be expected to play it in the air. The determining factors as to whether or not icing will be called are the proximity of the puck to the player, the speed at which it is traveling, and whether or not it is on the ice.

---

**→ Situation 23**

The puck, shot from behind the center red line, bounces over the stick of an opposing player who attempts to play the puck or rebounds off the boards and over his stick. Is icing still in effect?

Yes. Rule References 620(d) and Note.

The Official must make his decision based upon the proximity of the puck to the player, the speed of the puck, and whether or not the puck is on the ice.

**→ Situation 24**

The puck is shot from behind the center red line and hits a defending player (body or stick) in his Defending Zone. The puck rebounds back toward the shooter, continues past him down the ice, and crosses the goal line furthest from the defending player. Should icing be called?

No. Rule Reference 620(e).

Regardless of where the infraction occurs, the icing shall be nullified any time the puck hits a defending player.

**→ Situation 25**

In a Junior “A” game with “touch” icing, the Red team shoots the puck from its defending half of the ice across the far goal line. A White team defenseman refuses to touch the puck, even after the front Official verbalizes to the player to touch it. The Referee blows his whistle to stop the play. Where does the face-off take place?

At the end zone face-off spot in the Red team’s Defending Zone, on the side from which the puck was shot. Rule References 620(a) and 611(k).

This is the same face-off location which would have occurred had the White team touched the puck to complete icing. While it can be argued that both teams have committed infractions, the fact remains that until such time as the Referee blows his whistle, the Red team still has an opportunity to touch the puck and nullify icing. The Referee should only stop play in this situation if it is obvious that neither team is making any attempt to play the puck.

**→ Situation 26**

Play is stopped in error when a shorthanded team “ices” the puck. Where is the face-off?

At the nearest end zone face-off spot with respect to the location of the puck when it crossed the goal line. Rule Reference 620(f).

The puck should have been “live” behind the goal line, thus the face-off now takes place in that zone. Under the previous rule, a center spot face-off deprived the attacking team of approximately 100 feet of territorial advantage.

**RULE 621 INTERFERENCE****→ Situation 1**

Team A shoots the puck from behind the center red line so as to constitute possible icing. A player of Team A who is on-side and eligible to play the puck attempts to do so in his Attacking Zone before the icing occurs. The goalkeeper of Team B shoots the broken portion of a stick so as to interfere with the attacking player who is not yet in the vicinity of the puck. What procedure is employed and what penalty is assessed to the goalkeeper?

Allow the play to be completed and assess a minor penalty to the goalkeeper. Rule References 621(a) and 636.

Even though the stick was thrown in the Defending Zone, the stick was not thrown or shot at the puck, thus a penalty shot cannot be applied.

---

**→ Situation 2**

A Team A player loses his stick during play and grabs a stick out of an opponent's hand. He then continues to play with the opponent's stick. Should the Referee assess a penalty for this action?

Yes. The Referee must assess the Team A player a minor penalty for Interference. Rule Reference 621(a).

This action is considered to be "deliberately knocking a stick out of an opponent's hand."

---

**→ Situation 3**

The goalkeeper, in the act of proceeding to his players' bench, leaves his stick in front of the goal. What happens if the attacking team shoots the puck which hits the goalkeeper's stick, while the goalkeeper is still in the act of leaving the ice?

A goal shall be awarded. Rule Reference 621(b) and 615(b) Note 2.

For a goal to be awarded, the goalkeeper must either be in the act of leaving the ice or actually off the ice.

**→ Situation 4**

The goalkeeper, in the act of proceeding to his players' bench, unintentionally bumps into another player and loses possession of his stick in front of his goal. The goalkeeper does not retrieve the stick and continues to the bench. The puck then hits the stick. Is a penalty required in this situation?

Yes - a goal must be awarded. Rule Reference 621(b) and 615(b) Note 2.

It makes no difference whether or not the goalkeeper deliberately left his stick in front of the goal. It is the responsibility of the goalkeeper to keep the area near his net clear of objects that may prevent the scoring of a goal. If the puck hits the goalkeeper's stick in front of the goal, and the goalkeeper is in the act of leaving or has left the ice, a goal must be awarded.

**→ Situation 5**

A team pulls its goalkeeper for an extra player. The goalkeeper, before leaving his crease, places his stick across the front of the goal. Meanwhile his team scores a goal. The Referee, upon looking back to the other end of the rink, observes the stick across the front of the goal. What action should be taken?

The Referee shall allow the goal and assess the goalkeeper a minor penalty under this rule. Rule Reference 621(b) and 615(b) Note 2.

It is the responsibility of the goalkeeper to keep the area near his goal free of any obstacles that may prevent the scoring of a goal. However, there is no rule to warrant the disallowing of the goal.

**→ Situation 6**

A player who is about to come onto the ice plays the puck with his stick. However, that player has either one or both skates still on the bench. What penalty, if any, shall be assessed.

A minor penalty. Rule Reference 621(b).

A player's skates must not be in contact with the bench in order for him to participate in the play. This ruling would apply whether or not the team has the correct number of players on the ice. In the case of a player entering or leaving the players' bench who intentionally plays the puck with one or both skates on the bench, the same ruling would apply.

---

**→ Situation 7**

A player on the players' bench who is not readily identifiable interferes with a player on the ice. What action, if any, should be taken by the Referee?

The Referee must identify one player of the offending team and a minor penalty must be assessed. Rule Reference 621(b).

The penalty is not a bench minor. Therefore, the Referee must determine which player must serve the penalty.

---

**→ Situation 8**

The spare goalkeeper on the players' bench interferes with a player on the ice. What penalty should be assessed and who should serve it?

The Referee must assess a minor penalty to the spare goalkeeper, to be served by a player, other than the goalkeeper, who was on the ice at the time of the infraction. This makes the ruling regarding who serves a penalty consistent with a penalty to the goalkeeper on the ice and a bench penalty. Rule References 621(b) and 407(a).

**→ Situation 9**

May a player who has control of the puck back into the goal crease (the goalkeeper is in his crease) prior to the puck going into the crease?

No. Rule References 621(c & d).

Even if a player has possession and control of the puck, unlike carrying the puck over his attacking blue line, he is not permitted deliberate entry into his opponent's goal crease ahead of the puck, unless the goalkeeper is out of the crease. Should this occur, play must be stopped (and any resulting goal disallowed) and the ensuing face-off must be held at the nearest Neutral Zone face-off spot.

**→ Situation 10**

A defending player shoots the puck into his own goal from outside the crease with an attacking player standing unimpeded in the crease (the goalkeeper is in the crease). Does the goal count?

No. Rule References 621(d & e).

Regardless of what player puts the puck into the goal, no goal may be scored if a player of the attacking team intentionally stands in the goal crease, with the goalkeeper in the crease, unless the puck is already in the goal crease.

**→ Situation 11**

The goalkeeper leaves his crease to stop a shot. Before he can return to his crease, an attacking player enters the crease before the puck, and a teammate shoots the puck into the goal. Is the goal legal?

Yes. Rule Reference 621(d).

If the goalkeeper is completely out of his crease, an attacking player may precede the puck into the crease and any otherwise legally scored goal in this situation shall be allowed.

However, if the goalkeeper is attempting to return to the goal crease and there is any interference by the attacking player who prevents the goalkeeper from making a direct path back to the crease, or in playing the puck in the crease, then the goal must be disallowed.

**→ Situation 12**

When the attacking team has possession of the puck in its Attacking Zone, should the Referee stop play and require a Neutral Zone face-off every time an attacking player places his stick and/or skates in the opposing team's goal crease?

No. Rule Reference 621(d).

Play should not be stopped because a player momentarily places his stick and/or skates in the goal crease, unless he interferes with the goalkeeper in any manner. However, if a goal is scored while an attacking player has his stick and/or skates in the opponent's goal crease, the Referee shall have no alternative but to disallow the goal, unless the goalkeeper is completely out of the crease, in which case the goal shall be allowed.

---

**→ Situation 13**

A member of the attacking team passes the puck to a teammate. While the puck is en route, another member of the attacking team positions himself in the goal crease, with the goalkeeper in the crease. Should the Official stop play and conduct the ensuing face-off outside the Attacking Zone?

Yes. Rule Reference 621(d).

With the goalkeeper in his crease, no member of the attacking team can be in the goal crease if his team has possession of the puck. In this instance the team still has possession of the puck when the infraction occurs, thus the play must be stopped immediately.

**→ Situation 14**

An attacking player carries the puck into his opponent's goal crease. The goalkeeper knocks the puck away from the attacker and out of the crease, but another attacking player immediately gains possession and shoots the puck into the goal while his teammate is still standing in the crease. The player in the crease has not been interfered with and the total elapsed time between when the puck is cleared from the crease and when it is shot back into the crease is at most one second. Should the goal be disallowed because of the player in the crease?

Yes. Rule References 621(d & e).

Rule 621(e) makes no mention of a time factor as an exception to an attacking player being in the crease while the goalkeeper is in the crease and, in this situation, the rule must be applied as written.

**→ Situation 15**

In the process of playing the puck, an attacking player, falls down and slides completely inside the goal frame. The player is behind the goal line and is not interfering with the goalkeeper. At the same time, another attacking player shoots the puck and it enters the goal, completely crossing the goal line. Should this goal be allowed?

Yes. Rule Reference 621(d). Also see Situation 614-2.

Even though the player is in the back of the goal he is not in the goal crease area as the rulebook defines it. The goal crease area does not extend into the goal, but rather stops at the goal line. If the player inside the goal breaks the plane of the goal line and is therefore in the goal crease, and his team has possession of the puck, then a crease violation has occurred and a whistle with a Neutral Zone face-off would be called for.

**→ Situation 16**

The goalkeeper has been removed from the ice. An attacking player has no defending player to pass and a chance to score on an open net. The Coach of the defending team throws a stick off the bench preventing a shot on the open net. What is the proper call?

Either a penalty shot/optional minor or awarded goal shall apply. Rule References 621(f) and 636(a).

If the interference by the stick clearly prevented an “obvious and imminent goal,” then the awarded goal ruling is proper. If such an imminent goal is not applicable, then the penalty shot/optional minor penalty ruling is proper.

---

➔ **Situation 17**

What penalty is imposed when a player on the players’ bench interferes with the movements of the puck when his goalkeeper has been removed?

A minor penalty. Rule Reference 621(b).

The same is true if the player had interfered with an opposing player, regardless of whether or not he has possession of the puck.

---

➔ **Situation 18**

The goalkeeper, in the act of proceeding to his players’ bench, deliberately places his stick across the goal mouth. What happens if a teammate of the goalkeeper inadvertently shoots the puck that hits the goalkeeper’s stick?

A goal must be awarded to the non-offending team if the contact prevented a goal. Rule References 621(b & f) and 615(b) Note 2.

This ruling applies whether the goalkeeper is off the ice or in the act of leaving. If the stick interfered with the puck, but not to prevent a goal, then a minor penalty under Rule 621(b) would be proper.

**RULE 622 INTERFERENCE BY SPECTATORS****→ Situation 1**

A spectator near the boards grabs a player and the player retaliates by swinging his stick at the spectator. Should a penalty be imposed for such actions?

Yes. A game misconduct penalty must be assessed to the player. Rule Reference 622(b).

Even though the spectator initiated the violence, players are expected to control themselves at all times. In this situation, the player could be expected to use a reasonable amount of force to get away from the spectator, but as soon as the player takes any retaliatory measures with his stick, arms or legs, the game misconduct penalty must be assessed. The Referee must make a written report in detail to the proper authorities.

## **RULE 623 KICKING PLAYER**

### **→ Situation 1**

What penalty shall be assessed to a player who intentionally steps on an opponent?

A match penalty for Attempt to Injure or Deliberate Injury. Rule References 623(a) and 603.

Even though this infraction cannot be considered to be “kicking” an opponent, it still represents a very serious and dangerous violation of the playing rules and must be penalized.

---

### **→ Situation 2**

During a Squirt age classification game, two players collide with each other, fall to the ice and become tangled up with each other. In an effort to free himself, one of the players uses his skate to push off the opposing player. Should a penalty be assessed in this situation?

Yes, regardless of how minor the push may appear. Rule Reference 623(a) Note 1.

Generally speaking, a major plus a game misconduct penalty shall be assessed in this instance. In many cases players don't realize the danger involved with pushing off another player with the skate. In all other instances, a match penalty must be assessed for this extremely dangerous infraction.

---

### **→ Situation 3**

What penalty should be assessed for an attempted kick of an opponent?

A Match penalty. Rule Reference 623(b).

It must be emphasized that contact is not required for the assessment of a Match penalty under this rule. Any kicking motion towards an opponent must be penalized as a Match penalty.

**RULE 624 KICKING PUCK****→ Situation 1**

The puck is kicked by an attacking player, deflects off his stick and enters his opponent's goal. Should the goal be allowed?

No. Rule Reference 624(a).

Had the player intentionally directed the puck into the goal with his stick, the goal would have been allowed.

**→ Situation 2**

The puck is kicked by an attacking player, deflects off a teammate and enters his opponent's goal. Should the goal be allowed?

No. Rule Reference 624(a).

Possession and control of the puck has not been gained by the teammate, thus the goal must be disallowed.

**→ Situation 3**

Is the use of the "Kick Shot" legal?

No. Rule References 624(a) and 614(c).

The "Kick Shot," which combines the use of the foot and leg driving the shaft and blade of the stick as it contacts the puck, can produce a very dangerous shot. No goal can be scored as the result of using the kick shot because it has basically been kicked into the goal. This type of shot is rarely seen in today's game.

**→ Situation 4**

A player is standing in front of the opponent's goal and has his arms "tied up" with a defending player so that he cannot play the puck in the normal manner. The puck goes out in front of the goal and the attacking player kicks the blade of his stick which knocks the puck into the goal. Is this considered a legal goal?

No. Rule References 624(a) and 614(c).

Even though the puck was not directly kicked with the skate, the puck entered the goal as the direct result of the kicking action.

**RULE 625 LEAVING THE PLAYERS' BENCH  
OR PENALTY BENCH****→ Situation 1**

A player from each team is serving a coincident high sticking major penalty. Their penalties expire but they must wait for a stoppage of play before leaving the penalty bench. Play is stopped because of an altercation. No players leave their players' benches. However, both players leave the penalty bench at the same time. Player A (Red team) enters the altercation. Player X (Blue team) does not enter the altercation, but skates to his players' bench. What penalties are imposed?

Each player would be assessed a major plus game misconduct penalty. The player entering the altercation would also be assessed whatever additional penalties he incurs. Rule References 625(a & b).

No player may leave the players' or penalty bench at any time during an altercation.

---

**→ Situation 2**

Player A1 leaves the players' bench during a fight. He is the first player to leave a bench. He initiates a fight with an opposing player. What penalties would be assessed to A1?

Player A1 who leaves the bench would be assessed a major plus game misconduct penalty for leaving the bench during an altercation, plus an additional major plus game misconduct penalty for the fight. Rule References 625(a & b) and 613(a & e).

All penalties are cumulative. Player A1 must receive two game misconduct penalties. The major plus game misconduct penalty is assessed to any player leaving the bench during an altercation, not just the first player to do so.

**→ Situation 3**

A player is the first to leave his players' bench during an altercation and is also the first player to intervene in an altercation then in progress. What penalties are assessed to this player?

The player is assessed a major plus game misconduct penalty for leaving the bench during an altercation, and an additional game misconduct for being "first to intervene" in an existing altercation. Rule References 625(a & b) and 613(d).

The Referee should have both game misconduct penalties recorded on the penalty sheet, but only one game misconduct should be announced. The player will be suspended for the next two games of his team.

**→ Situation 4**

A player leaves the penalty bench before his penalty has expired during a stoppage of play and during an altercation. He is the only player to leave a bench. What penalties must be assessed to this player?

A major plus game misconduct penalty for leaving the bench during an altercation plus an additional minor penalty for leaving the penalty bench prior to penalty expiration. Rule References 625(b & d).

The additional minor penalty applies only if the player leaves the penalty bench prematurely by his own decision.

**→ Situation 5**

A player serving a misconduct penalty proceeds onto the ice during a stoppage of play before his penalty has expired. (No Timekeeper error and no altercation in progress.) He is assessed a minor penalty. How is this penalty served?

The penalized player's team must put an additional player on the penalty bench immediately to serve the minor penalty. The remaining time of the misconduct penalty is then delayed until the minor penalty is terminated. Rule References 625(d) and 404(a).

The Referee must be sure that the Timekeeper knows exactly how much time is remaining in the misconduct penalty. The Penalty Timekeeper must also be aware that the misconduct would be resumed upon the expiration of the minor penalty.

**→ Situation 6**

With five seconds remaining in his penalty, a player leaves the penalty bench through an error of the Timekeeper and joins play on the ice. Ten seconds elapse before the Timekeeper can alert the Referee to stop play. Is the player assessed any further penalties?

No. Rule Reference 625(f).

The player must return to the penalty bench to serve the remaining five seconds of his penalty. Had the player left the penalty bench prematurely on his own accord, he would have been properly assessed an additional minor penalty.

---

**→ Situation 7**

What penalty is assessed if a penalized player enters the game illegally by reason of the Timekeeper's error and clearly checks a player who is on a break-away and has a scoring opportunity?

No penalty is assessed, but the penalized player must return to the penalty bench to serve his unexpired time starting from the time he left the penalty bench. Rule References 625(f & g).

Because the penalized player left the bench due to the Penalty Timekeeper's error, that player cannot be further penalized for leaving the penalty bench prematurely.

---

**→ Situation 8**

What penalty would be assessed a penalized player who leaves the penalty bench on his own before his time is up, and checks a player who has a break-away?

The Referee shall assess a penalty shot/optional minor and assess the penalized player an additional minor penalty to be served after his original time has expired. Rule References 625(d & g).

In this situation a penalty shot would be awarded regardless of the location of the player on the break-away.

**→ Situation 9**

A player returns to the ice from the penalty bench prematurely. There were 10 seconds remaining in his minor penalty. Play continues for 20 seconds, at which time his team scores a goal. The Referee is made aware of that situation as he goes to report the goal to the Scorer. What action must the Referee take?

The goal must be disallowed and the penalized player must return to the penalty bench to serve the remaining 10 seconds in his penalty. If he returned by his own decision, an additional minor penalty must be assessed. Rule References 625(d, f & i).

Once the player comes onto the ice prematurely, whether by his own decision or by instruction from the Penalty Timekeeper, his team cannot score a goal during that play. This ruling applies if the goal is scored (or awarded) while the penalty time is still in effect as well as after it has elapsed.

**→ Situation 10**

Player A-1 returns to the ice prematurely. While he is on the ice, Team B inadvertently puts the puck into its own goal. Does the goal count?

No. Rule Reference 625(i).

Even though the rule wording states that “any goal scored by his own team while he is illegally on the ice shall be disallowed,” and the goal was scored by the opposing team, application of this rule is based on the team which will be credited with the goal, regardless of who scores it.

**→ Situation 11**

A Coach goes on the ice during the game to protest an Official’s decision. What penalty must be assessed?

A bench minor and game misconduct penalty. Rule Reference 625(h).

The Referee is given the option of imposing either or both penalties, depending on the severity of the incident. However, in all cases where a Team Official comes onto the ice during a period to protest a decision, both penalties must be assessed. Should the Coach continue the protest and refuse to leave the ice, he shall also be subject to a match penalty under Rule Reference 601(j.3).

## **RULE 626 OFF-SIDES**

### **→ Situation 1**

Which edge of the 12 inch blue line is the determining edge when considering whether or not a player is off-side?

The determining edge is the edge further from the zone in which the puck is located. Rule References 626(a & c).

If the puck moves from the Neutral Zone into a team's Attacking Zone, the edge of the blue line closer to the Attacking Zone is the determining edge. Until the puck completely crosses the blue line, the 12 inch width of the blue line is a part of the Neutral Zone. However, the instant the puck completely crosses the blue line, the determining edge is reversed and the width of the blue line becomes a part of the Attacking Zone.

---

### **→ Situation 2**

The attacking team is in possession of the puck in the Attacking Zone and the puck is passed back to the blue line. The puck stops on the blue line, then is shot back again. Has an off-sides infraction occurred?

No. Rule References 626(a & c).

The puck would have had to completely cross the blue line before being shot back into the Attacking Zone for an off-side to occur.

---

### **→ Situation 3**

A player has both skates completely in the Attacking Zone the instant the puck completely crosses the blue line. Is he off-side?

Yes. Rule References 626(a & c).

The position of the player's skates at the instant the puck enters the Attacking Zone determines off-sides.

**→ Situation 4**

A player has one skate on the blue line and one skate in his Attacking Zone at the instant the puck completely crosses the blue line into his Attacking Zone. Is he off-side?

No. Rule References 626(a & c).

As long as the player's skate is in contact with the Neutral Zone when the puck enters his Attacking Zone, he is on-side.

**→ Situation 5**

A player has both skates in the Neutral Zone and the stick in his Attacking Zone at the instant the puck completely crosses the blue line into his Attacking Zone. Is he off-side?

No. Rule References 626(a & c).

The position of the player's skates at the instant the puck enters the Attacking Zone determines off-sides.

**→ Situation 6**

The puck is in the possession of the attacking team in the Attacking Zone. The puck is passed back to the blue line by an attacking player. The pass is received by a teammate on the far edge of the blue line (half on the line and half in the Neutral Zone), and then is shot on goal. Has an off-sides infraction occurred?

No. Rule References 626(a) and 105(b).

The line is always a part of the zone in which the puck is located.

**→ Situation 7**

At the instant the puck completely crosses the blue line into the Attacking Zone an attacking player has his leading skate in the Attacking Zone. His trailing skate is directly above the ice in the Neutral Zone (off the ice). Is he off-side?

Yes. Rule References 626(a & c Note 1).

In order for the player to be on-side in this situation, he must have at least one skate in contact with the ice in the Neutral Zone, which in this instance includes the blue line, at the instant the puck completely crosses the blue line.

**→ Situation 8**

An attacking player crosses the blue line with the puck. He then brings the puck on his stick back out over the blue line into the Neutral Zone, while his skates are still in the Attacking Zone, and brings the puck back again into the Attacking Zone. Is he off-side?

Yes. Rule References 626(a & c Note 1).

Even though he maintains possession and control throughout the play, once he brings the puck back into the Neutral Zone he places himself in an off-side position, and as soon as the puck comes back into the Attacking Zone the play is off-side.

A player in possession and control of the puck is permitted to precede the puck across his attacking blue line, but once the puck has initially crossed the blue line, this exception to the rule expires and the player may not continue to violate the basic off-side rule.

---

**→ Situation 9**

A player straddling the blue line falls to the ice while the boot of his skate remains in contact with the Neutral Zone. The puck crosses the blue line at the same time. Is he considered to be off-side?

No. Rule References 626(a & c Note 1).

The word “skate” in Rule 626(c, Note 1) refers to the blade or the boot of the skate.

---

**→ Situation 10**

If the players’ bench has a door opening in the Attacking Zone, may a player entering from this door be considered on-side if the puck enters the zone after he steps onto the ice?

No. Rule References 626(a & c Note 1).

Such a player must be ruled off-side if the puck crosses the line while he is entering or leaving the ice and has at least one skate in contact with the ice surface at the time. Any player entering from the bench area into the Attacking Zone is considered as any other attacking player on the ice for the purposes of off-sides.

**→ Situation 11**

The puck is shot by a player from an end zone and is deflected out of the playing area by a teammate who is directly on his defending blue line. The ensuing face-off is correctly held at the point of deflection, on the blue line. Immediately after the puck is dropped, one of the attacking wings completely crosses the blue line into his Attacking Zone. The puck, after being dropped, remains on the blue line for an instant before the attacking center gains possession and shoots it into his Attacking Zone, the puck never having left the blue line prior to being shot. With the attacking wing in the zone prior to the puck completely crossing the blue line, has an off-side been created?

No. Rule References 626(a & c Note 1).

On any face-off conducted on a blue line, the Linesman must be aware of the zone the puck was in immediately prior to the stoppage of play and make any off-side judgment based on that knowledge.

In this case, the puck was shot from the end zone and was deflected out of the rink while still in the end zone. Therefore, when the face-off is held on the blue line, the puck must be considered to be still in the end zone and not in the Neutral Zone. Any potential off-side judgments must be made accordingly.

**→ Situation 12**

An attacking player straddling the attacking blue line receives a pass on his stick in the Neutral Zone. He then brings the skate which was in the Neutral Zone over the line while the puck is still on his stick in the Neutral Zone. He then pulls the puck over the blue line. Is he off-side?

No. Rule References 626(a & c Note 2).

As long as the player receiving the pass has possession and control of the puck while at least one skate is in contact with the Neutral Zone, he can legally precede the puck into the Attacking Zone while he maintains possession and control.

**→ Situation 13**

An attacking player with both skates over the blue line receives a pass from a teammate in the Neutral Zone. He stops the puck with his stick before the puck crosses the blue line. This player then puts one skate on the blue line, holds the skate on the line, and pulls the puck over the blue line while the skate is still on the line. Is he off-side?

No. Rule References 626(a & c Note 2).

---

**→ Situation 14**

A defending player pushes an attacking player, who does not have possession of the puck, into the Attacking Zone just prior to the puck entering that zone. Is the attacking player off-side?

Yes. Rule References 626(a & c) and 621(a).

Even though the attacking player was pushed, the off-side infraction must still be called. If the push was severe enough, the Referee may elect to assess a minor penalty for interference.

---

**→ Situation 15**

An off-side is created when the puck is carried into the Attacking Zone. At which Neutral Zone face-off spot shall the ensuing face-off be conducted?

At the face-off spot closest to the location where the puck crossed the blue line. Rule Reference 626(b).

---

**→ Situation 16**

A player with both skates over the blue line receives a pass from a teammate. He stops the puck with his stick before the puck crosses the line, then pulls it over the line with both skates over the line. Is he off-side?

Yes. Rule Reference 626(a) Note.

The player receiving the pass must have possession and control of the puck with at least one skate in the Neutral Zone before he can legally precede the puck into the Attacking Zone.

**→ Situation 17**

The puck is shot by a player from behind his defending blue line. A teammate who is already in the Neutral Zone skates down the ice and precedes the puck across his attacking blue line. Off-sides is called. Where does the face-off take place?

The puck is to be faced-off at the point of origin of the shot.  
Rule Reference 626(b).

---

**→ Situation 18**

The puck is passed by a player in the Neutral Zone to a teammate near his attacking blue line, but the puck is deflected by an opponent, thereby causing the receiving player to be over the blue line ahead of the puck. Play is stopped for the off-side. Where is the face-off held?

At the point of origin of the pass (regardless of any deflection by the opposing team). Rule Reference 626(b).

---

**→ Situation 19**

The Linesman makes an obvious error as he stops play for an off-side at the blue line. Should the ensuing face-off take place at center ice?

No. Rule References 626(b & f).

The ensuing face-off should take place at the nearest Neutral Zone face-off spot. The only time that the face-off takes place at center ice because of an Official's error is during an icing or center line off-side pass situation (appropriate age classifications).

**→ Situation 20**

A player carries the puck across his attacking blue line and is immediately forced to skate parallel to the blue line in such a manner that, while both skates remain in his Attacking Zone, the puck is stick-handled back across the blue line into the Neutral Zone. The player then brings the puck back into the Attacking Zone without contacting the Neutral Zone with a skate. Is he still on-side?

No. Rule References 626(a) Note and 626(c).

Even though he maintains possession and control throughout the play, once he brings the puck back into the Neutral Zone he places himself in an off-side position, and as soon as the puck comes back into the Attacking Zone the play is off-side.

A player in possession and control of the puck is permitted to precede the puck across his attacking blue line, but once the puck has initially crossed the blue line, this exception to the rule expires and the player may not continue to violate the basic off-side rule.

---

**→ Situation 21**

If a player has possession of the puck in the Neutral Zone, turns around and skates backwards, and precedes the puck across the attacking blue line while still in possession and control of the puck, is he considered to be off-side?

No. Rule Reference 626(a) Note.

As long as he establishes possession and control in the Neutral Zone before and while he crosses the line, play shall be permitted to continue.

---

**→ Situation 22**

When the puck is batted with a high stick to a teammate who is off-side, what infraction takes precedence and where is the ensuing face-off?

The high stick infraction takes precedence and the ensuing face-off will take place at a Defending Zone face-off spot of the offending team. Rule References 626(b) Note and 617(d).

As a general rule, the more “serious” infraction is penalized.

### → Situation 23

An attacking player, about to be caught off-side, jumps into his players' bench just before a teammate crosses the attacking blue line with the puck. Has any off-side violation occurred?

No. Rule References 626(c) Note 2 and 205(a).

Provided the player jumped into his own players' bench, no other rule violation has occurred. However, if the player jumped off the ice surface into any other part of the rink, and was substituted for, his team must be assessed a bench minor penalty for illegal substitution.

**The following situations apply in classifications where both the delayed off-side and the “tag-up” (to nullify a delayed off-side) do not apply — Midget and below, and all Girls’/Women’s games below Adult.**

### → Situation 24

The puck is deliberately shot directly on goal by an attacking player in the Neutral Zone with a teammate clearly positioned in the Attacking Zone. What is the proper ruling?

Intentional off-sides. Rule Reference 626(e).

There was no chance for that play to be on-side.

### → Situation 25

An attacking player in the Neutral Zone passes the puck to a teammate who is completely in the Attacking Zone. However, the puck is deflected by the opponent before entering the zone. Is this play off-side?

Yes. Rule Reference 626(d).

Any deflection off a teammate, opponent, Official or rink defect does not nullify an off-side.

**→ Situation 26**

An attacking player has both skates in his Attacking Zone. An opposing player has possession of the puck in the Neutral Zone. If the player in possession of the puck carries or passes the puck back into his Defending Zone while that attacking player is still in the zone, is the attacking player off-side?

No. Rule Reference 626(d).

---

**→ Situation 27**

A defending player shoots the puck into the Neutral Zone. It then deflects off another defending player in the Neutral Zone back into his Defending Zone while an attacking player is in the zone. Is the play off-side?

Yes. Rule Reference 626(d).

Any deflection, whether off a teammate, an opponent, an Official, or the boards or glass creating an off-side situation at the blue line, must be treated as such. The puck deflecting off a defending player is not the same as a defending player carrying or passing the puck back into his Defending Zone.

---

**→ Situation 28**

An attacking or defending player in an end zone shoots the puck into the Neutral Zone. The puck hits an Official in the Neutral Zone and deflects off the Official back into the end zone while an attacking player is still in the Attacking Zone. Where is the ensuing face-off?

At the point of deflection. Rule Reference 626(d).

Any deflection, whether off a teammate, an opponent, an Official, or the boards or glass creating an off-side situation at the blue line, must be treated as such. Officials must always strive to position themselves in such a manner that would allow the puck to leave the zone before striking them, thereby creating the off-side situation.

**→ Situation 29**

Team A has possession and control of the puck in their Attacking Zone. During the play the puck leaves the zone. A Team A defenseman gains control of the puck just a few feet outside of his Attacking blue line. He looks up and notices that some of his teammates are still in the Attacking Zone, not in the vicinity of the blue line and making no attempt to leave that zone. Without any chance of making a legal play, he advances the puck one foot into his Attacking Zone and obtains a stoppage of play. Is this infraction considered to be an intentional off-sides?

Yes. Rule Reference 626(e) Note.

In this instance the attacking player deliberately secured an immediate off-sides solely for the purpose of stopping the game.

**→ Situation 30**

Team A has a power play and is passing the puck around in their Attacking Zone. The puck is passed back to the point and the Team A defenseman cannot handle it as the puck trickles completely outside the zone. The Team A defenseman, in a last ditch effort to keep the puck in the Attacking Zone, dives for the puck and hits it back into the Attacking Zone with three of his teammates deeper than the tops of the face-off circles. Is this situation an intentional off-sides?

No. Rule Reference 626(e) Note.

If the defenseman has made an honest effort to keep the puck in the Attacking Zone, but cannot, and in doing so happens to create an off-side infraction, intentional off-sides has not occurred and a normal delayed off-side shall be in effect.

**→ Situation 31**

Team A has possession and control of the puck in their Attacking Zone. During the play, the puck leaves the zone. A Team A defenseman gains control of the puck just a few feet outside of his attacking blue line. He looks and notices that some of his teammates are still in the Attacking Zone and a Team B player is converging in on him. Without any chance of making a legal play, he passes the puck directly to a teammate. Is this infraction considered to be intentional off-sides?

Yes. Rule Reference 626(e) Note.

In this instance the attacking player deliberately shot the puck to secure an immediate stoppage of play.

---

**→ Situation 32**

Team A has possession and control of the puck in their Attacking Zone. During the play, the puck leaves the zone. A Team A defenseman gains control of the puck just a few feet outside of his attacking blue line. He looks and notices that some of his teammates are still in the Attacking Zone and a Team B player converging in on him. Without any chance of making a legal play, he shoots the puck directly on goal. Is this infraction considered to be intentional off-sides?

Yes. Rule Reference 626(e) Note.

In this instance the attacking player deliberately shot the puck to secure an immediate stoppage of play.

---

**→ Situation 33**

Are there general off-side situations to help decide regular vs. intentional off-sides?

Yes. Rule Reference 626(e).

Judge the intent of the attacking team. The onus is on that team to create a legal play at the blue line. If it appears that the team has knowingly gone off-side, an intentional off-side is warranted. Otherwise, a regular off-side is the proper call.

A play where attacking players are barely across the blue line going into the Attacking Zone, or within a stride of clearing

the Attacking Zone as the puck is crossing the blue line into the zone would be examples of regular off-side situations (timing issues). If an attacking player is bumped off-side, that would be a regular off-side.

Previous situations have discussed the more common intentional off-side situations.

**The following situations apply in classifications where the “tag-up” (to nullify a delayed off-side) applies — High School, Junior and Adult (male and female) only.**

### → Situation 34

Team A has a player trapped beyond the tops of the face-off circles in the Attacking Zone when a Team A player shoots the puck into the zone. The Linesman correctly signals a delayed off-side. A Team B player plays the puck with the blade of his stick two feet over his head and he is the next player to play the puck. The Referee stops play with the puck in the Defending Zone and the off-side Team A player still in the zone. Where is the face-off?

At the end zone face-off spot closest to the goal of the attacking team. Rule References 626(d) and 617(d).

Even though the puck was played with a high stick, the original infraction was intentional off-sides. In this situation, the whistle should be blown as soon as the puck is shot into the zone because of the player who is deep in the Attacking Zone.

**→ Situation 35**

When attempting to advance the puck, may a defending player carry the puck anywhere in his Defending Zone with a delayed off-side (non-intentional) in effect?

Yes, as long as he is not being forced deeper into his zone by an attacking player. Rule Reference 626(d).

The intent of the delayed off-side rule is to keep play in progress as long as the defending team has a reasonable opportunity to advance the puck out of the Defending Zone and moves promptly to do so. The attacking team is not required to “tag up” at the blue line in order to nullify the off-side if it elects not to. However, when the Linesman becomes aware that one or more off-side attacking players are not returning to the blue line, he should be alert to stop play as soon as the defending puck carrier is forced back further into his Defending Zone or as soon as contact, however slight, is made with the puck or puck carrier.

In addition, the defending team is not to be permitted to take advantage of this rule to delay the game. The Linesman must stop play immediately for the off-side infraction when it becomes apparent that the defending puck carrier is not making a serious attempt to advance the puck out of his zone.

---

**→ Situation 36**

During a delayed off-side (non-intentional), the only attacking player who was off-side turns to go back to the blue line to “tag up.” Before he reaches the blue line, a teammate who was on-side skates into his Attacking Zone. The original off-side player touches the blue line with one skate. At that instant his teammate is about 10 feet into the Attacking Zone. Is the delayed off-side now nullified and are all attacking team players eligible to play the puck?

No to both questions. Rule Reference 626(d).

At the instant the off-side player(s) make skate contact with the blue line, the Attacking Zone must be completely clear of all other attacking players. If this condition is not met, all attacking players who enter their Attacking Zone are off-side until this condition is met or until the puck leaves the zone.

**→ Situation 37**

The only off-side attacking player turns immediately and makes skate contact with the blue line. At that instant a teammate is crossing the blue line and has one skate completely across the blue line into the Attacking Zone and the other skate fully on the blue line and not touching any part of white Neutral Zone ice. Should the delayed off-side (non-intentional) be nullified?

Yes. Rule Reference 626(d).

Even though neither player is “clear” of the Attacking Zone and are both completely in the Attacking Zone when they contact the blue line, for the purposes of this rule both players are only required to make contact with the blue line, not the Neutral Zone.

**→ Situation 38**

The puck is shot directly on goal by an attacking player in the Neutral Zone with a teammate in the Attacking Zone (non-intentional situation). Should the Linesman allow play to continue under the delayed off-side rule?

No. Rule Reference 626(d).

As soon as the Linesman is aware that the puck will not be intercepted by a defending player before it reaches the goal and/or goalkeeper, he must stop play immediately due to the off-side. (last play face-off).

**→ Situation 39**

A player shoots the puck from his defending half of the Neutral Zone across his opponent's goal line. A teammate is completely over his attacking blue line before the puck crosses that blue line and is therefore off-side (non-intentional situation). Which infraction takes precedence, the off-side or the icing?

The icing infraction takes precedence. Rule Reference 626(d).

As soon as the puck crosses the blue line, an off-side has occurred, even though delayed, while the icing is still a "potential" icing. The front Linesman's first reaction in this situation must be to immediately raise his arm to signal the delayed off-side. The back Linesman should already have his arm raised to indicate the potential icing. With both Linesmen now having an arm raised for different events, the front Linesman will blow the whistle to signify "icing."

In this instance, if the puck crosses the goal line and all criteria for icing are met, play shall be stopped and the face-off shall take place in the end zone of the offending team because the icing infraction was completed.

---

**→ Situation 40**

Is the defending goalkeeper eligible to play the puck on a delayed off-side (non-intentional situation) without causing a stoppage of play?

Yes. Rule Reference 626(d).

As long as the goalkeeper is not preventing the original pass or shot from entering the goal, he may play the puck without causing a stoppage of play for the off-side infraction.

**→ Situation 41**

The puck is shot by an attacking player from the Neutral Zone into a corner with a teammate off-side (non-intentional situation). The off-side player continues toward the corner in an obvious attempt to play the loose puck. A defending player is slightly closer to the puck and it appears that he will get to the puck before the attacking player. Should the Linesman continue to delay the off-side call?

No. He should stop the play immediately. Rule Reference 626(d).

As a general rule, when one or more off-side players decline to turn immediately and go back to the blue line to “tag up” and instead continue in pursuit of the puck, play should be stopped immediately. The potential for unnecessary body contact should not be allowed in a situation where an infraction (off-sides) has already occurred.

However, there are exceptions to this general rule. If it is apparent that a defending player will reach a loose puck well ahead of any off-side attacking player and will have a reasonable chance to advance the puck out of his Defending Zone, or if a defending player already has possession of the puck with a similar reasonable chance to advance the puck, play should be permitted to continue. But, where there is any doubt this will occur, the Linesman is expected to stop play immediately.

**→ Situation 42**

May a goal ever be allowed during the course of a delayed off-side?

No. Rule Reference 626(d).

The attacking team caused the puck to enter the end zone illegally, therefore no goal may be scored while the delayed off-side is in effect. Even if the defending team shoots, passes or deflects the puck into its own goal, a goal may not be allowed.

**→ Situation 43**

During a delayed off-side (non-intentional situation) the attacking team is allowed to completely clear the Attacking Zone to nullify the delayed off-side infraction. Must all off-side players make skate contact with the Neutral Zone (white part) or the blue line to satisfy this condition?

The blue line only. Rule Reference 626(d).

For the purposes of this rule, the off-side players in the Attacking Zone must only make skate contact with the blue line even though, with the puck in the Attacking Zone, the blue line is considered to be a part of the Attacking Zone.

The interpretation is based on the ease of identifying the blue line on the part of players and Officials. Also, by making skate contact with the line, players are merely required to establish an on-side skate position which would have applied when the puck originally entered the Attacking Zone.

---

**→ Situation 44**

Team A shoots the puck into its Attacking Zone just prior to all Team A players clearing the zone. The puck is headed towards the goal. Prior to the puck reaching the goal area, Team A has completely cleared the zone and the puck enters the goal. Is this off-sides or a goal?

This should be treated as off-sides and the goal must be disallowed. Rule Reference 626(d).

The key here is that the puck was headed on goal during the delayed off-side, no matter how brief it was. Under normal circumstances, the delayed off-side would be nullified as soon as Team A clears the zone. In this situation, if the Official responsible for the call at the blue line determines that the puck is headed on goal, the play must be stopped immediately.

**As a final reminder regarding the above preceding situations:**

- **1-23 apply for all classifications**
- **24-33 apply in classifications that play using the immediate off-sides rule (Youth and Girls/Women)**
- **34-44 apply in classifications that play using the tag-up off-sides rule: (High School, Junior and Adult)**

**RULE 627 PASSES**

Situations 1-15 in Rule 627 apply only to those classifications utilizing the center line off-side pass.

**→ Situation 1**

The puck is passed over the center red line by a player who is behind his defending blue line. A teammate, who has both skates completely over the center line and in his attacking half of the ice, receives the pass. Is this an off-side pass?

Yes. Rule Reference 627(a).

To legally receive a pass from his Defending Zone, an attacking player must be in contact with the center red line or his defending half of the ice at the instant the puck crosses the center line (unless the attacking player leaves his Defending Zone after the puck enters the Neutral Zone, in which case the attacking player may legally play the puck anywhere in the Neutral Zone).

**→ Situation 2**

The puck is passed by a player who is behind the defending blue line to a teammate who is in his defending half of the Neutral Zone. Is this considered to be an off-side pass?

No. Rule Reference 627(a).

The play is legal as long as the puck was received by a player who is in contact with his defending half of the ice.

**→ Situation 3**

The puck is passed by a player in his Defending Zone into the Neutral Zone. The puck deflects off the body or stick of an opposing player to an attacking player over the center red line. Is this considered to be an off-side pass?

No. Rule Reference 627(a).

Any time the puck contacts an opposing player prior to being played in the attacking half of the ice, an off-side pass shall not apply.

---

**→ Situation 4**

The puck is passed by a player from behind his blue line to a teammate who has one skate on the center line and one skate over the center line and who receives the pass on his stick which is over the center line. Is this an off-side pass?

No. Rule Reference 627(a).

It is the position of the skates of the player receiving the pass that determines his eligibility to receive a pass from his Defending Zone. As long as he has skate contact with his defending half of the ice, he is eligible to legally receive the pass.

---

**→ Situation 5**

The puck is passed by a player behind his defending blue line to a teammate who has both skates over the center line, but who stops the puck with his stick behind the center line. Is this an off-side pass?

No off-side pass, yet. Rule Reference 627(a).

An off-side pass cannot be completed until the puck completely crosses the center red line.

**→ Situation 6**

The puck is passed by a player behind his defending blue line to a teammate who has both skates over the center line, but who stops the puck with his stick behind the center line. The player now brings the puck over the center line. Is this an off-side pass?

Yes. Rule Reference 627(a).

In this situation the position of the player's skates and not that of his stick shall be the determining factor in deciding off-side pass violations. At the instant the player brings the puck over the center line prior to making skate contact with his defending half of the ice, the off-side occurs.

**→ Situation 7**

The puck is passed by a player from behind his defending blue line to a teammate who has both skates over the center line. The teammate received the pass with his stick behind the center line. The player makes contact with one skate on the center line, then brings the puck over the center line while that skate is still in contact with the line. Is this an off-side pass violation?

No. Rule Reference 627(a).

The position of the player's skates and not that of his stick shall be the determining factor in deciding off-side pass violations. In this situation, at the instant the player brings the puck over the center line, one of the player's skates is in contact with the center line, therefore no off-side pass violation has occurred.

**→ Situation 8**

The puck is passed by a player from behind his defending blue line to a teammate who has both skates over the center line, but who stops the puck with his stick behind the center line. The player, in this position, passes the puck across the ice to a player who is completely over the center line. Is this an off-side pass violation?

Yes. Rule Reference 627(a).

In this situation, the instant the player brings the puck over the center line, prior to making skate contact with his defending half of the ice, the off-side occurs.

---

**→ Situation 9**

The puck is passed by a player from behind his defending blue line to a teammate who has both skates over the center line, but who stops the puck with his stick behind the center line. The player, in this position, now passes the puck across the ice to a player who is also behind the center line. Is this considered to be an off-side pass violation?

No. Rule Reference 627(a).

Possession and control of the puck by a player in his defending half of the Neutral Zone has been established by the player who receives the second pass. Thus the off-side pass does not occur.

---

**→ Situation 10**

The puck is passed by a player from behind his defending blue line. A teammate is standing in his defending half of the Neutral Zone or in contact with the red line as the puck crosses the line. After the puck crosses the line, that teammate now crosses the center line and receives the pass. Is this considered to be an off-side pass?

No. Rule Reference 627(a).

In this instance, the puck preceded the player across the center red line. Thus the pass is not considered to be an off-side pass.

**→ Situation 11**

A player standing with his skates behind his defending blue line has the puck on his stick which is over the blue line (puck and stick are over the blue line). While in this position, he passes the puck to a teammate who is over the center line. Is this an off-side pass?

No. Rule Reference 627(a) Note 1.

It is the position of the puck, not the player's skates, that is the determining factor in deciding from which zone the pass was made.

**→ Situation 12**

A player standing with his skates behind his defending blue line has the puck on his stick so that the puck is partially touching the blue line when the puck is released and is passed to a teammate who is over the center line. Is this considered to be an off-side pass?

Yes. Rule Reference 627(a) Note 1.

The puck must be completely over the determining edge of the blue line to nullify the off-side pass in this situation.

**→ Situation 13**

An attacking player in his Attacking Zone shoots the puck which rebounds off a defending player in his Defending Zone. The puck is then received by another defending player who is over the center line. Is this an off-side pass?

No. Rule References 627(a & c).

In this instance, a deflection is not considered to be deemed as possession and control of the puck. Thus the "pass" was never made.

**→ Situation 14**

The puck is passed by a player who is completely behind his defending blue line, and a teammate precedes the puck over the center red line but does not touch it. He then skates back over and makes skate contact with the red line, then skates to receive the pass. Is this an off-side pass violation?

No. Rule Reference 627(a).

A player is allowed to “tag up” to make himself eligible to receive an off-side pass.

---

**→ Situation 15**

A player who is standing with his skates in the Neutral Zone has the puck on his stick which is in his Defending Zone. That player, in this position, passes the puck to a teammate who is over the center line. Is this an off-side pass? (Assume that the player passing the puck releases the puck before the puck comes out over the blue line.)

Yes. Rule Reference 627(a) Note 1.

It is the position of the puck, not the player’s skates, that is the determining factor in deciding from which zone the pass was made.

**RULE 628 PUCK OUT OF BOUNDS OR UNPLAYABLE****→ Situation 1**

A player in his defending zone attempts to pass the puck to a teammate in the neutral zone. The puck strikes an opponent who is seated on his players' bench, completely off the playing area. Where is the ensuing face-off?

At the nearest point from where the puck was shot, along an imaginary line connecting the end spots. Rule Reference 611(g).

The player shooting the puck caused the stoppage of play, regardless of which bench the puck entered. The players' benches are not part of the playing area.

**→ Situation 2**

A Team A player, in his attacking half of the Neutral Zone, shoots the puck so as to go over the Team B goal and directly leave the rink. Where is the face-off?

At the nearest point to where the puck was last played, along the imaginary lines on each side connecting the face-off spots. Rule References 628(a) and 611(g).

Had the puck been shot from behind the center red line, icing would be called and the face-off would be held at a Defending Zone face-off spot of the offending team.

**→ Situation 3**

A Team A player, in the Neutral Zone but on his attacking side of the center red line, shoots the puck which deflects off Team B's goal post and directly out of the rink. Where is the face-off held?

At the nearest point to where the puck was last played, along the imaginary lines on each side connecting the face-off spots. Rule References 628(a) and 611(g).

The attacking player caused the stoppage of play.

**→ Situation 4**

The puck is shot by an attacking player in his Attacking Zone and it deflects directly off the top crossbar of the goal and leaves the playing area. Where is the ensuing face-off?

At the nearest Neutral Zone face-off spot. Rule References 628(a) and 611(f).

The stoppage was caused by the attacking player in the Attacking Zone.

---

**→ Situation 5**

An attacking player on his attacking side of the Neutral Zone shoots the puck which hits the goal light located above the glass. Where is the ensuing face-off?

At the nearest point to where the puck was last played, along the imaginary lines on each side connecting the face-off spots. Rule References 628(a) and 611(g).

Had the puck been shot by an attacking player in the Attacking Zone, the face-off would take place at the nearest Neutral Zone face-off spot. If originating from behind the center red line, icing should be called.

---

**→ Situation 6**

Where is the face-off when the puck strikes an Official and goes out of the playing area?

At the nearest point to where the puck was last played, along the imaginary lines on each side connecting the face-off spots. Rule References 628(a) and 611(g).

It makes no difference from where the puck is shot or in which zone the Official is located.

---

**→ Situation 7**

The puck is shot from directly behind the goal and either goes through a hole in the netting or passes under the goal frame itself and continues out in front of the goal where it is played by a defending player. In this situation, should play be stopped?

Yes. Rule Reference 628(a).

Play must be stopped immediately when the puck goes under the goal frame or through the netting. The ensuing face-off would be held at the nearest end zone face-off spot, regardless of which team last played the puck behind the goal.

---

**→ Situation 8**

An attacking player in his attacking half of the Neutral Zone or in his attacking zone, shoots the puck so that it rebounds off the end boards onto the back of the defending team's goal. The Referee stops play after a defending player is unable to play the puck off the netting within three seconds. Where is the ensuing face-off?

At the Neutral Zone face-off spot nearest to the point where the shot originated. Rule References 628(b & Note).

The attacking player who shot the puck caused the stoppage of play.

---

**→ Situation 9**

An attacking player in his Attacking Zone shoots the puck so that it rebounds off the end boards onto the back of the defending team's goal. The Referee stops play after players from either team are unable to play the puck off the netting within 3 seconds. Where is the ensuing face-off?

At the Neutral Zone face-off spot nearest to the point where the shot originated. Rule References 628(b & Note).

The attacking player who shot the puck caused the stoppage of play.

**→ Situation 10**

An attacking player shoots the puck so that it rebounds off the end boards onto the back of the defending team's goal. A defending player stands between the attacking player and the puck, preventing an attacking player from playing the puck off the netting. The Referee stops play. Where is the ensuing face-off?

At the nearest end face-off spot of the defending team. Rule References 628(b & Note).

Although the attacking player shot the puck onto the back of the goal and the stoppage of play was caused by the puck remaining on the back of the goal for more than three seconds, the action of the defending player prevented the attacking player from playing the puck. Therefore the ensuing face-off must take place in the Attacking Zone.

---

**→ Situation 11**

An attacking player shoots the puck so that it rebounds off the end boards onto the back of the defending team's goal. The goalkeeper covers the puck with his stick for longer than three seconds, thereby preventing any player from playing the puck off the netting. The Referee stops play. Where is the ensuing face-off?

At the nearest end face-off spot of the defending team. Rule References 628(b & Note) and 609(e).

In addition, the Referee must assess the goalkeeper a minor penalty for delay of game.

**RULE 629 PUCK MUST BE KEPT IN MOTION****→ Situation 1**

A player is playing the puck along the boards with his skates or stick, but not advancing the puck in an attempt to obtain a stoppage of play. What should the Referee do if this action continues?

Initially the Referee should verbally alert the player to advance the puck, provided he is not being checked. If, after approximately three seconds expire, no attempt has been made to advance the puck, the Referee shall stop play and assess a minor penalty for delaying the game. Rule References 629(a) and 609(e).

It is most important for the Referee to verbally instruct the player to move the puck.

**→ Situation 2**

Two opposing players skate into the corner in an effort to hold the puck along the boards until the Officials stop play. When should the Official stop play?

The Official must only stop play if a player falls onto or is knocked down onto the puck, or if it is evident that unnecessary contact will result from allowing the play to continue. Rule References 629(a & Note).

The Referee must use verbal commands during this play in an attempt to keep play moving. He cannot blow the whistle simply because two opposing players want to obtain a stoppage. Whenever a player falls on the puck, play must be stopped immediately. If a player intentionally falls on the puck, a minor penalty for Delaying the Game must be called.

In the instance in which only one player intentionally holds the puck along the boards for three seconds, the Referee shall have no alternative but to assess a minor penalty for Delaying the Game to the offending player.

**→ Situation 3**

Seconds prior to the expiration of a penalty to a teammate, a Team A player has possession and control of the puck along the boards with no opposing player near him. In an effort to allow the penalty to expire, the player attempts to “inch” the puck along the boards hoping to momentarily stall without losing control of the puck. A Team B player enters into the play and attempts to free the puck. The Team A player then stops moving the puck and holds it between his skate and the boards for three seconds. What action should the Referee take?

The Referee must stop the play and assess a minor penalty for Delaying the Game to the Team A player. Rule Reference 629(a).

The Referee must use verbal commands during play in an attempt to keep play moving. Once the puck is held against the boards for more than three seconds by one player, the Referee must stop play and assess the penalty for Delaying the Game. The fact that the player may or may not have been pressured by his opponent has no bearing on the call.

---

**→ Situation 4**

Two opposing players skate into the corner in an effort to move the puck out of the corner. During their attempts, a third player takes more than two strides and charges into the opposing player who is attempting to move the puck. Should the Referee stop play?

Yes. The Referee must stop play the instant he realizes that unnecessary contact will result from allowing the play to continue. If contact is made in this instance, he must assess a penalty to the third player who entered the corner for the charging infraction. Rule Reference 629(a).

The intent of this rule is to keep the play moving and eliminate whistles for a frozen puck along the boards. If any player commits any infraction against an opposing player, such as Charging, Boarding, Elbowing, etc., he must be penalized for this infraction.

**RULE 630 PUCK OUT OF SIGHT AND ILLEGAL PUCK****→ Situation 1**

The puck is outside the crease. The goalkeeper, who is lying on the ice after making a save, reaches out and partially covers the puck with his glove. The Referee does not feel that the goalkeeper has sufficient control of the puck and so he allows play to continue. A moment later an attacking player shoots the partially covered puck into the goal. The Referee allows the goal. Did the Referee use good judgment?

The Referee must make the judgment as to whether or not the goalkeeper has sufficient possession and control of the puck to warrant a stoppage of play. A partial coverage of the puck in the crease, with the goalkeeper clearly in control of his own movements and of the puck, would likely satisfy this requirement. Conversely, a desperate lunge for a puck lying outside the crease boundaries resulting in the same partial coverage probably would not. Rule Reference 630(a).

While Referees are expected to act quickly to prevent possible altercations around the goal area by means of prompt stoppages when the puck has been frozen, Referees are not expected to act as an extra arm for goalkeepers by stopping play every time a goalkeeper touches the puck in an obvious attempt to cover it. If the Referee has lost sight of a puck that is only partially covered, play should be stopped immediately. But if the puck is clearly visible and the possession and control criteria have not been met, play should be permitted to continue.

**→ Situation 2**

The puck is outside the crease and the goalkeeper, who is lying on the ice after making a save, reaches out and partially covers the puck with his glove. What happens if the Referee is satisfied that the goalkeeper has enough control to cause a stoppage, but before he can get his whistle to his mouth the puck is shot into the goal? Goal or no goal?

No goal. Rule Reference 630(a).

As soon as the Referee decides that play should be stopped, that is when play is stopped. Whether or not the puck enters the goal in the split second it takes between the time he has reached that decision and the time it takes to bring the whistle to his mouth and blow it is not a factor.

---

**→ Situation 3**

The puck is shot and gets lodged between the blade and the boot of a player's skate. Should the play be allowed to continue or shall the Referee stop play?

The Referee shall stop play immediately. Rule Reference 630(a).

This situation is similar to the puck getting caught in a player's equipment or clothing. It must be noted that only the Referee has the authority to stop play under these circumstances.

**RULE 632 REFUSING TO START PLAY****→ Situation 1**

A Coach has been assessed a game misconduct penalty but refuses to move more than ten feet away from his team's players' bench. What action should the Referee take?

The Coach is required to leave the players' bench area (at least 50 feet away from either side of the players' bench is a good guideline), and not attempt to direct the play of his team. Rule References 632(a) and 404(e).

If the Coach refuses to comply with either of these requirements, as he is doing above, the Referee must advise the team Captain that his team has 15 seconds to get the Coach away from the bench area or the team will be assessed a bench minor penalty. If it becomes necessary to assess the penalty, the Referee must repeat the same 15 second warning and if the Coach still refuses to move, the game must be suspended.

The Coach and any offending Team Official(s) shall be assessed a match penalty and the Referee must report the incident to the proper authorities.

**→ Situation 2**

After a disputed goal, the Coach of the team scored upon refuses to place the correct number of players on the ice. What should the Referee do?

Advise the offending team Captain that his team has 15 seconds in which to place the proper number of players on the ice. If the team does not comply, the Referee must assess the team a bench minor penalty. Rule References 632(a) and 609(d).

If it becomes necessary to assess the bench minor penalty, the Referee must repeat the same 15 second warning and if the team still refuses to place the proper number of players on the ice, the game must be suspended. The offending Team Official(s) shall be assessed a match penalty and the Referee must report the incident to the proper authorities.

## **RULE 633 SLASHING**

### **→ Situation 1**

A Team A player slashes at an opponent but only makes contact with the Team B player's stick, knocking it out of his hand. What penalty, if any, should be assessed?

A minor or a major penalty for slashing must be assessed. Rule Reference 633(a).

Any time a player maliciously or recklessly slashes an opponent's stick, the major penalty must be assessed.

---

### **→ Situation 2**

For a slashing penalty to be assessed, must stick contact be made with the opposing player?

No. Rule References 633(a & b).

If the object of a slashing motion is to intimidate an opponent or to actually try to strike him, stick contact need not be made in order for a penalty to be assessed.

---

### **→ Situation 3**

A player swings his stick at an opponent during the course of an altercation. What penalty or penalties must be assessed?

The Referee has three options in this type of situation:

- 1) Minor penalty for slashing plus a game misconduct,
- 2) Major penalty for slashing plus a game misconduct,
- 3) Match penalty for attempt to injure or deliberate injury of an opponent.

**RULE 634 SPEARING****→ Situation 1**

Under what circumstances should the Referee impose a major and a game misconduct penalty for spearing when there is no contact made?

The spearing rule applies whether or not actual contact is made. "Attempt to spear" includes instances where contact was attempted as well as where only the gesture occurred and there was no opportunity for actual contact because of the distance between the opponents. Rule References 634(a & b).

**RULE 636 THROWING STICK****→ Situation 1**

Attacking player A1 in his Attacking Zone passes the puck to teammate A2, but before the puck reaches A2 the opposing goalkeeper throws his stick and deflects the puck out of the zone. Which of the two players is to be designated as the “fouled player” and allowed to take the ensuing penalty shot?

Player A1. Rule Reference 636(a).

Even though the puck was passed to player A2, player A1 was the last attacking player to have possession and control of the puck prior to the infraction.

---

**→ Situation 2**

A defending player throws his stick along the ice at an attacking player in possession and control of the puck. The attacking player is in his Attacking Zone when the stick is thrown. The stick does not hit the puck or the player, but the player loses possession of the puck. Is a penalty shot to be awarded?

Yes. The offended team has a penalty shot/optional minor penalty option. Rule Reference 636(a).

When a defending player throws his stick in the direction of the puck that is in his Defending Zone, a penalty shot must be awarded. In this situation the Referee cannot be expected to determine whether the stick caused the attacking player to lose his concentration or if he lost possession by his own actions.

**→ Situation 3**

Having been substituted for by another player, a goalkeeper throws his stick at the opposing team's puck carrier, who has no opponent between himself and the "open goal." The goalkeeper is at his players' bench when he throws the stick. Should a penalty shot be assessed or a goal awarded?

The Referee has the option of either a penalty shot or awarded goal, depending on his perception of whether a goal was actually prevented. Rule Reference 636(a).

In general, if the thrown stick clearly affects the movements of the puck carrier or the puck, then an awarded goal would be proper. If the stick clearly did not affect either the puck carrier or the puck, then a penalty shot would be proper and a goalkeeper would go onto the ice to defend against it.

The awarded goal decision only applies if the goalkeeper is at the bench (he is then considered "off the ice"). If he is on the ice and the infraction occurred in the goalkeeper's Defending Zone, then the penalty shot is the Referee's only option. If the infraction occurred in any other zone, a minor penalty must be assessed.

**→ Situation 4**

With the goalkeeper off the ice, an opposing player gains possession of the puck on a break-away in the Neutral Zone, and the puck is knocked off his stick by a stick thrown by a trailing defending player. The attacking player himself is not interfered with, and would easily be able to regain possession of the loose puck, continue on his break-away and (in the Referee's opinion) score a goal. Should the Referee stop play immediately and award the goal?

Yes. Rule References 636(a) and 409(b).

In this situation the offended player is not required to be in his Attacking Zone for an awarded goal to apply when a stick or other object is thrown or shot. Note also that if the Referee does not feel that the player would have had a clear shot on goal had the thrown stick not occurred, then the proper call is a minor penalty since the infraction did not occur in the offending player's Defending Zone.

**→ Situation 5**

The Referee has signaled a delayed penalty on Team A, and Team B has substituted for its goalkeeper. The puck deflects off a Team B player and is heading for Team B's empty goal. A Team B player is chasing the puck and just before it enters the goal, he throws his stick at the puck and knocks it away from the goal. Should the Referee assess a penalty shot or award the goal?

Award the goal. Rule References 636(a) and 409(b).

He must also assess the delayed penalty to Team A.

---

**→ Situation 6**

With the goalkeeper off the ice, an attacking player has no defending player to pass and a chance to score on the open goal. The Coach of the defending team throws a stick off the players' bench preventing a shot on the open goal. What penalty is imposed?

Award a goal to the non-offending team. Rule References 636(a) and 621(f).

It makes no difference whether or not the stick is thrown from the bench or from the ice, a goal is always awarded in this situation if a clear scoring opportunity is lost.

---

**→ Situation 7**

With the goalkeeper off the ice, an attacking player has no defending player to pass and a chance to score on the open goal. The Coach of the defending team throws a stick off the players' bench onto the ice, but the stick does not interfere with any opponent or the puck. Play continues and the attacking player scores a goal into the open goal. What penalty is imposed?

No penalty is assessed. Rule References 636(a) and 601(h.3).

Because a goal was scored, the bench minor penalty which would otherwise have been assessed is nullified. This is not an awarded goal situation because no immediate scoring opportunity was lost because of the thrown stick.

**→ Situation 8**

With the puck in his Defending Zone, a defending player deliberately throws his stick at an opponent who does not have possession of the puck. The stick does not interfere with a scoring opportunity. What penalty is to be assessed?

A minor penalty for interference. Rule References 636(b) and 621(a & b).

If a stick is thrown at an opponent who does not have possession of the puck, a minor penalty for interference must be assessed, regardless of in which zone the puck is located. A penalty shot should only be awarded if the stick is thrown at the puck when the puck is in the Defending Zone.

**→ Situation 9**

A defending player in his Defending Zone throws his stick at an opponent who has possession of the puck in the Neutral Zone. What is the proper penalty to be assessed?

A minor penalty. Rule References 636(a & b).

The determining factor in the awarding of a penalty shot or the assessment of a minor penalty is the location of the puck at the time of the infraction.

**→ Situation 10**

A player throws his stick outside the playing area after a goal has been scored against his team. What penalty should be assessed?

A misconduct or game misconduct penalty. Rule Reference 636(c).

When a player throws his stick outside the playing area, not in the direction of any spectators, a misconduct penalty must be assessed. If a player throws his stick as a violent act or in the direction of any spectators, a game misconduct penalty must be assessed.

→ **Situation 11**

A player breaks his stick and instead of dropping it on the ice he deposits it over the boards and outside of the playing area. Does this action warrant a penalty?

Yes. A misconduct penalty must be assessed. Rule References 636(c) and 605(a).

Even though the player may be trying to keep the broken stick off the ice, the Referee has no choice but to assess a misconduct penalty to that player.

**RULE 637 TIME OF MATCH AND TIME-OUTS****→ Situation 1**

Should the On-Ice Officials blow the whistle at the end of a period?

Yes. Rule Reference 637(a).

In the Three Official system, it is the responsibility of the Linesman who is on the opposite side of the ice as the Referee to skate into the Attacking Zone to the goal line to assist the Referee. The other Linesman watches the clock and blows the whistle the instant time expires. The horn may not always be in working order.

In the Two Official system, the Referee on the blue line shall be responsible for blowing the whistle the instant time expires.

**→ Situation 2**

If the goalkeeper is injured within the last minute of play in a period, is it necessary for the substitute goalkeeper to replace him immediately, or can play be carried over to the next period?

The injured goalkeeper must be replaced immediately. Rule References 637(d) and 206(a & b).

This occurrence is not normally considered to be an “unusual delay.” However, in the case where a player or goalkeeper can’t be moved due to the seriousness of his injury, the Referee has the option of considering this to be an “unusual delay” and taking the intermission at that point.

**→ Situation 3**

May a team use its time-out prior to the opening face-off?

Yes. Rule Reference 637(e).

Once the Referee has blown the whistle to end the warm-up or to summon the teams for the opening face-off, any team may use its time-out.

**→ Situation 4**

May a team use its time-out before or during regulation play or any time during overtime?

Yes. Rule Reference 637(e).

The Official Playing Rules do not restrict when a team may use its time-out, provided that the time-out is taken during a stoppage of play.

---

**→ Situation 5**

May a team use its time-out to warm up a goalkeeper?

Yes. Rule Reference 637(e).

The time-out may be used for warming up the goalkeeper or for any other purpose. The On-Ice Officials must make sure that the warm-up does not last any longer than the allotted one minute, and that a maximum of four pucks are on the ice. It is also their responsibility to make sure that all pucks are retrieved from the ice prior to resuming play and that the net and goal are checked for pucks.

---

**→ Situation 6**

During a stoppage of play, Team A uses its time-out. May Team B warm up its goalkeeper during the Team A time-out?

Yes. Rule Reference 637(e).

During a time-out, each team may warm up a goalkeeper within the prescribed warm-up area and with a maximum of four pucks.

---

**→ Situation 7**

May a penalized player leave the penalty bench during a time-out?

No. Rule References 637(e) and 625(c).

All penalized players must remain on the penalty bench during a time-out.

**→ Situation 8**

Team A takes its time-out during a stoppage of play. After the time-out has expired and before play resumes, Team B requests to have its time-out during the same stoppage. Should the Referee allow the second time-out to take place?

No. Rule Reference 637(e).

Each team is allowed to take one time-out during any stoppage of play. But if Team B wishes to take its time-out, it must be requested before the expiration of the Team A time-out.

**→ Situation 9**

Both teams line up for a face-off late in the game. Just prior to the conducting of the face-off, Team A requests a time-out. Is the Referee obligated to allow this time-out to take place?

No. Rule Reference 637(e).

Once the line-up procedure has been completed (both teams had an opportunity to change players), the Referee may not allow any request for a time-out.

**→ Situation 10**

Under what circumstances may a Referee terminate a game prematurely?

The only permitted premature termination of a game, other than for lack of available players, is if conditions beyond the control of all game participants (teams and Officials) become unsatisfactory. Rule Reference 637(f).

Examples of conditions beyond the control of all game participants would include -

- a portion of the ice melts;
- significant lighting failure (dark or long shadows);
- glass falls out or shatters and can't be replaced;
- a gate falls off or cannot be locked in place;
- time clock failure and no alternative timing means;
- weather conditions (outdoor facility only).

These examples would NOT qualify for premature termination of the game:

- spectators continually throw debris on the ice;
- spectators persist in taunting one or both teams;
- obvious lack of bench control on one or both teams;
- midway through the game 50 penalties have been called.

**RULE 639 TRIPPING****→ Situation 1**

For a tripping penalty to be assessed, must the fouled player fall to the ice?

No. Rule Reference 639(a).

The Rule Book uses the words “trip or fall” to describe the offense. In the case where a player staggers, his progress impeded, the degree of impeding should be the determining factor as to whether or not a penalty is warranted. However, for tripping to be called where the offended player has not fallen to ice, the degree of impeding should be substantial. If the stick was used to impede the player's progress, a hooking penalty may be the more proper call.

**→ Situation 2**

A defending player leaves his feet and slides into the puck carrier. The defending player gains possession of the puck and the attacking player falls to the ice after being hit by the defending player's body. Should a penalty be assessed?

Yes. Rule References 639(a) and Note 3.

When a player leaves his feet and slides into an opponent, thereby causing him to fall, a penalty for tripping must be called regardless of who gains possession of the puck. The only exception is when a player drops to his knees to block a shot and his momentum carries him into the player shooting the puck, causing him to fall. In that event, no penalty is to be assessed.

**→ Situation 3**

What are examples where a major penalty for tripping should be assessed.

Leg extension is the most common infraction where a major penalty should be assessed. This action has the potential to seriously injure the opponent, and to some extent the offending player as well.

Leg extension in front of the fouled player is our “leg checking” rule that has been included in the tripping rule for several years.

Leg extension from behind, particularly if combined with a push to the chest area of the fouled player, is “slew footing” and is extremely dangerous and must be penalized accordingly.

---

**→ Situation 4**

With the opposing goalkeeper on the ice, a player is skating toward a loose puck in the Neutral Zone, which will put him on a clear “break-away,” when he is tripped from behind by an opponent. Should the Referee assess a penalty shot or a minor penalty?

A minor penalty. Rule Reference 639(b).

In this situation there are five criteria which must be present for a penalty shot to be called. They are:

- 1) The fouled player must have possession and control of the puck.
- 2) The fouled player must be beyond his Defending Zone.
- 3) The fouled player must have no opponent to pass except the goalkeeper.
- 4) The fouled player must have been fouled from behind (beyond his peripheral vision).
- 5) The fouled player must have been deprived of a reasonable scoring opportunity.

If any one of these criteria is missing, a penalty shot shall not be awarded and the normal penalty, if any, must be assessed.

In this situation the fouled player did not have possession and control of the puck, so only a minor penalty for tripping may be assessed.

---

**→ Situation 5**

With the opposing goalkeeper on the ice, a player in his Attacking Zone has a break-away and is fouled from behind. He gets up and takes an unimpeded shot on the goal. Should a penalty shot be awarded?

No. Rule Reference 639(b).

The player, once he regains possession and control of the puck, has not been denied a reasonable scoring opportunity. A minor penalty for tripping is the correct call in this situation.

---

**→ Situation 6**

The goalkeeper skates out of his goal crease to meet an attacking player on a break-away and deliberately trips the player as he tries to go around the goalkeeper. What penalty should be assessed?

A minor penalty. Rule References 639(b & c).

This situation does not call for a penalty shot because the player has not been fouled from behind.

---

**→ Situation 7**

The goalkeeper skates out of his goal crease to meet an attacking player on a break-away. The attacking player gets completely around the goalkeeper, in the clear and in control of the puck with no one between himself and the open goal, and he is pulled down from behind by the goalkeeper. What penalty should be assessed?

A penalty shot. Rule References 639(b & c).

For a goal to be awarded, the goalkeeper must have been removed from the ice. The fact that the goalkeeper was not in his goal crease has no bearing on the play. He is still considered to be "on the ice."

**→ Situation 8**

A player on a break-away with the opposing goalkeeper off the ice is clearly fouled from behind. The Referee determines that an awarded goal situation has occurred, but inadvertently does not stop play until it ends when the non-offending team scores a goal. What is the proper procedure for the Referee to follow in this situation?

Once the Referee has determined that an awarded goal situation has occurred, the non-offending team is entitled to a goal immediately, regardless of what occurs after the infraction, even if the Referee fails to stop play. The fouled player is credited with a goal in this case, even if another teammate subsequently scores. Rule Reference 639(c).

Also, since play is to be stopped immediately in an awarded goal situation, the time that has elapsed between the infraction and the actual stoppage must be added back to the remaining time left to be played in that period.

Because an awarded goal situation is such a rare occurrence, it would not be unusual for a Referee to fail to stop play immediately, remembering that in every other penalty situation the play is permitted to continue until the offending team gains possession and control of the puck.

**RULE 640 UNNECESSARY ROUGHNESS (ROUGHING)****→ Situation 1**

May a Referee assess a major penalty for roughing in lieu of a major penalty for fighting?

No. Rule Reference 640(a).

A major penalty for roughing may only be assessed when a player body checks an opponent after the whistle or for body checking in a non-checking classification.

**→ Situation 2**

What is the USA Hockey interpretation of Rule 640 (Unnecessary Roughness) in “No Check” hockey? Is a penalty required every time body contact is made?

No. Rule Reference 640(b) Note.

The rule does not require a penalty every time there is body contact between a puck carrier and an opponent. The rule is to be applied when a player deliberately plays a puck carrier's body rather than the puck. It is considered a violation of this rule if a player impedes the movement of a puck-carrying opponent by pushing or shoving him with the hands or arms, or deliberately contacting him with a shoulder, hip or other part of the torso.

However, considerable body contact between puck carrier and opponents may occur that should not be considered “body checking” and should not be penalized providing there has been no overt hip, shoulder or arm movement knocking the opponent off the puck.

If a puck carrier attempts to go through too small a gap between the boards and a stationary opponent, providing the opponent makes no overt move to check the puck carrier with his hands or body, no “body checking” penalty should be called following the inevitable collision.

Angling or establishing body position that influences the direction of the opposing puck carrier with minimal body contact and no overt hip, shoulder or arm movement, is also permitted.

Deliberate body contact on the part of the puck carrier may also be penalized under this rule. Remember as well that a penalty cannot be called for “intent to body check.” For a body checking penalty to be called there must be enough contact made that the puck carrier’s movements have been impeded. As always, good judgment is required in the application of this rule.

---

➔ **Situation 3**

What is the USA Hockey interpretation of illegal body checking to a player still deemed to be in possession of the puck?

A player is considered in possession of the puck after he no longer has possession and control of the puck, until such time as the puck is next played by another player. The rules prohibit “avoidable” body checking to a player in possession (not in possession and control) of the puck.

Rule Reference 640(b).

If the checking player has initiated his legal body check while the opponent has possession and control, then when he “finishes the check” it should be considered a good play and no penalty should be assessed.

An “avoidable check” is one which is primarily done to punish the player who just had possession and control of the puck. The checking player does not initiate his body check until such possession and control is lost. Or, the check is initiated while possession and control applies, but the checking player has ample time to avoid completing the check without risking his own safety.

**APPENDIX I**  
**SUMMARY OF**  
**PENALTIES**





The following summary of penalties is intended for general application of the rules. Specific situations may require different applications. All referenced rules should be consulted for exact language.

## Minor Penalty

### *Personal Fouls*

- 601(a) Unsportsmanlike Conduct
- 601(b) Shooting puck after whistle
- 613(a) Instigator of fisticuffs
- 613(f) Players not going to bench after warning during altercation
- 618(a) Holding
- 621(a) Interference
- 611(d) Face-off interference
- 621(b) Interference by player on bench
- 621(c) Interfering with goalkeeper in crease
- 625(d) Leaving penalty bench prematurely
- 633(d) Stick contact with goalkeeper
- 639(a) Clipping (leaving feet)

### *Delay of Game, Player or Goalkeeper*

- 602(a, c) Adjusting clothing/equipment
- 609(a) Batting/shooting puck out of rink
- 609(b) Shooting puck out of rink
- 609(c) Deliberate goal displacement
- 609(e) Freezing puck along boards or net
- 609(f) Goalkeeper intentionally stops play
- 609(g) Continued improper face-off position
- 611(b) Second face-off violation, same team
- 612(a, b) Falling on puck
- 615(d) Picking up puck from ice
- 629(b) Freezing puck along boards

### *Goalkeeper Infractions*

- 303(d) Wearing illegal equipment
- 406(b) Thrown stick during penalty shot
- 407(d) Leaving crease area during altercation
- 407(e) Participating in play across center line
- 605(c) Going to bench for stick at stoppage
- 615(a) Holding puck more than three seconds
- 615(b) Piling up obstacles in front of goal
- 628(c) Dropping puck onto goal netting

### *Stick and Equipment Violations*

- 301(d) Playing with an illegal stick
- 301(d) Player playing with goalkeeper stick
- 301(f) Playing with more than one stick
- 304(a) Equipment not worn under uniform
- 304(a) Playing without helmet/facemask
- 605(a) Playing with a broken stick
- 605(b) Receiving an illegal stick
- 613(f) Dropping glove(s)/stick in altercation
- 636(b) Throwing a stick (non-Penalty Shot)

### *Bench Minor Penalty*

- 104(e) Goalkeeper warm-up area
- 109(c) Alcohol, tobacco, smoking on bench
- 203(b) Roster addition during game
- 203(c) Improper goalkeeper substitution
- 205(a) Too many players on the ice
- 205(d, f) Illegal entry from penalty bench
- 205(e, f) Goalkeeper to bench at stoppage
- 206(d) Injured/penalized player returns prematurely
- 301(d) Stick measurement legal
- 307(c) Equipment measurement (legal)
- 308(a) Use of electronic devices
- 601(c1, h2) Obscene, profane, abusive language on players' bench
- 601(c2, h3) Article thrown onto ice from players' bench
- 601(h1) Team Official bangs boards
- 601(h4) Team Official inciting opponent
- 601(h5) Non-physical interference with Game Official from players' bench
- 609(d) Continued incorrect players on ice
- 632(a) Refusing to start play
- 632(b) Refusing to go on ice

### *Minor or Double Minor Penalty*

- 640(a) Unnecessary roughness

### *Minor or Major #*

- 604(a) Boarding
- 606 (a, b) Charging
- 608(a) Cross-Checking
- 610(a) Elbowing/Kneeing

616(a)	Head Contact
617(a)	High-sticking
619(a)	Hooking
633(a)	Slashing
639(a)	Tripping/Leg checking
640(a)	Body-checking in no-check game
640(b)	Avoidable check
640(c)	Checking opponent after whistle
#-	Major plus Game Misconduct required if resulting in injury

*Minor plus Misconduct or Major plus Game Misconduct*

607(a)	Checking from behind
--------	----------------------

*Major plus Game Misconduct*

608(c)	Butt-ending
607(b)	Checking From Behind (head first)
613(a, c)	Fisticuffs
603(d)	Head-butting
618(b)	Holding/grabbing facemask
625(b)	Leaving Bench in Altercation
634(a)	Spearing
640(a)	Injuring by body check (non-checking)

*Minor, Double Minor or Major plus Game Misconduct*

613(b, e)	Fisticuffs (retaliation)
-----------	--------------------------

*Minor plus Misconduct Penalty*

301(e)	Not surrendering stick for measurement
--------	--

*Minor plus Game Misconduct Penalty*

613(f)	Drop glove(s)/stick, instigate altercation
--------	--

*Bench Minor or Game Misconduct or both*

625(h)	Team Official on ice without permission
--------	---

*Major plus Game Misconduct or Match*

623(a)	Kicking opponent
--------	------------------

### *Match Penalty*

- 601(g1, j1) Injury or attempting to injure Game Official
- 601(g2, j2) Injury or attempting to injure opponent (except player to player)
- 601(g3, j3) Detrimental behavior
- 603(a) Attempt to injure opponent
- 603(a) Deliberate injury of opponent
- 603(b) Attempt to injure non-player
- 603(b) Deliberate injury to non-player
- 603(c) Taped hand, cutting opponent
- 632(a,b) Suspended game—refusal to start play

### *Misconduct Penalty*

- 304(b) Helmet/face mask not worn on bench
- 304(c) Mouthpiece violation
- 304(e) Protective equipment violation
- 305(b) Playing with cut palm on glove
- 406(f) Distraction during penalty shot
- 601(a) Persisting in unsportsmanlike conduct
- 601(d1) Obscene, profane, abusive language (player)
- 601(d2) Puck shot away from Official retrieving it
- 601(d3) Throwing equipment out of rink
- 601(d4) Not proceeding to penalty bench or dressing room
- 601(d5) Player in Referee's crease
- 601(d6) Non-physical interference with Official

### *Game Misconduct Penalty*

- 403(b) Second major penalty in same game
- 404(d) Five penalties to same player in game
- 601(a) Persisting in unsportsmanlike conduct
- 601(f2, i1) Obscene gesture (player or Team Official)
- 601(f2, i1) Racial/ethnic slur
- 601(f1) Persisting player conduct, after Misconduct
- 601(i2) Persisting Team Official conduct, after Bench Minor
- 601(i3) Physically interfering with Game Official
- 613(d) First to intervene in altercation
- 613(g) Removing helmet prior to or during an altercation
- 622(b) Player interference with spectator

*Misconduct or Game Misconduct Penalty*

- 601(e1) Touching or holding Game Official
- 601(e2) Continuing altercation after warning
- 601(e3) Banging boards or glass with stick (player)
- 636(c) Stick thrown out of playing area

*Game Misconduct or Match Penalty*

- 633(c) Swinging stick at opponent in altercation

*Penalty Shot (only)*

- 205(c) Deliberate illegal substitution
- 609(c) Goalkeeper deliberately displaces goal, no break-away
- 609(c) Deliberate removal of helmet/facemask, break-away
- 621(f) Thrown stick, break-away
- 625(g) Illegal entry, break-away

*Penalty Shot or Awarded Goal*

- 609(c) Deliberate goal displacement in scoring opportunity
- 612(c) Player falling on puck in crease
- 615(d) Player picking up puck from crease
- 636(a) Stick thrown at puck in Defending Zone
- 639(c, d) Fouled from behind on break-away

*Awarded Goal (only)*

- 609(c) Deliberate goal displacement preventing a goal
- 615(b) Goalkeeper stick left in front of goal, preventing a goal



**APPENDIX II**  
**SUMMARY OF**  
**FACE-OFF LOCATIONS**





*Center Ice Spot*

- 635(a) Start of game and periods
- 611(i) Goal scored
- 205(b) Premature goalkeeper substitution (normal)

*Neutral Zone Spot*

- 409(b) Coincident icing and delayed penalty
- 611(f) Stoppage by attacking player in Attacking Zone
- 611(f) Attacking player shoots puck onto netting
- 611(f) Gathering of players
- 621(d) Goal crease violation
- 626(b) Puck carried off-side
- 626(g) Off-side error by officials
- 628(b) Attacking team makes puck unplayable

*End Zone Face-Off Spot*

- 406(g) Unsuccessful penalty shot attempt
- 611(h) Last play face-off between end spots and end boards
- 611(i) Goal illegally scored off official
- 615(c) Goalkeeper throws puck forward
- 617(a) Slap shot, 10 & under and younger
- 617(d) High-sticked puck
- 620(a) Icing
- 620(f) Icing error by officials
- 626(e) Intentional off-side
- 628(b) Defending player shoots puck onto netting
- 629(c) Bringing puck back into Defending Zone

*Last Play Face-Off*

- 611(g) General rule
- 205(b) Premature goalkeeper substitution (exception)
- 409(a) Penalty on team in possession
- 409(b) Stoppage following delayed penalty signal
- 611(g) Fouls by players on both sides simultaneously
- 615(e) Hand pass
- 622(a, c) Interference by spectators
- 625(k) Off-side player entering from players' bench
- 626(b) Puck passed off-side
- 628(a) Puck strikes overhead obstruction/rink defect
- 629(a) Stalled puck between opposing players
- 630(a) Puck out of sight of Referee



**APPENDIX III**  
**OFFICIAL SIGNALS**





**BOARDING**

Striking the closed fist of the hand once into the open palm of the other hand.



**BODY CHECKING (NON-CHECKING CLASSIFICATIONS)**

The palm of the non-whistle hand is brought across the body and placed on the opposite shoulder.



**BUTT-ENDING**

Moving the forearm, fist closed, under the forearm of the other hand held palm down.



### CHARGING

Rotating clenched fists around one another in front of chest.



### CHECKING FROM BEHIND

Arm placed behind the back, elbow bent, forearm parallel to the ice surface.



### CROSS-CHECKING

A forward motion with both fists clenched, extending from the chest.



**DELAYED CALLING OF PENALTY**

The non-whistle hand is extended straight above the head.



**DELAYED WHISTLE (SLOW WHISTLE)**

*(Blue-Line Off-Sides, Adults only)*

The non-whistle hand is extended straight above head. If play returns to Neutral Zone without stoppage, or as soon as the offending team clears the zone, the arm is drawn down.



**DELAYING THE GAME**

The non-whistle hand, palm open, is placed across the chest and then fully extended directly in front of the body.



### ELBOWING

Tapping the elbow with the opposite hand.



### FIGHTING (ROUGHING)

One punching motion to the side with the arm extending from the shoulder.



### GOAL SCORED

A single point, with the non-whistle hand, directly at the goal in which the puck legally entered, while simultaneously blowing the whistle.

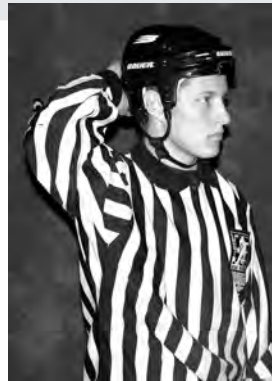


**HAND PASS**

The non-whistle hand (open hand) and arm are placed straight down alongside the body and swung forward and up once in an underhand motion.

**HEAD CONTACT**

Non-whistle hand placed palm inward on the back of the helmet.

**HIGH-STICKING**

Holding both fists clenched, one immediately above the other, at the side of the head.



### HOLDING

Clasping the wrist of the whistle hand well in front of the chest.



### HOLDING THE FACEMASK

Closed fist held in front of face, palm in and pulled down in one straight motion.



### HOOKING

A tugging motion with both arms, as if pulling something toward the stomach.



**ICING**

When the puck is shot or deflected in such a manner as to produce a possible icing situation, the back linesman will signal to his partner by raising his non-whistle hand over his head (same as Slow Whistle). The instant that the conditions required to establish "icing the puck" have occurred, the front linesman will blow his whistle to stop play and raise his non-whistle hand (same as Slow Whistle). The back linesman will give the icing signal by folding his arms across his chest.

**INTERFERENCE**

Crossed arms stationary in front of chest with fists closed.



### **KNEEING**

A single tap of the right knee with the right hand, keeping both skates on the ice.



### **MATCH PENALTY**

Pat flat of hand on top of the head.



### **MISCONDUCT**

Placing of both hands on hips one time.



**PENALTY SHOT**

Arms crossed (fists clenched) above head.

**SLASHING**

One chop of the hand across the straightened forearm of the other hand.

**SPEARING**

A single jabbing motion with both hands together, thrust forward from in front of the chest, then dropping hands to the side.



### TIME-OUT OR UNSPORTSMANLIKE CONDUCT

Using both hands to form a “T.”



### TRIPPING

Strike the side of the knee and follow through once, keeping the head up and both skates on the ice.



### “WASHOUT”

Both arms swung laterally across the body at shoulder level with palms down.

1. When used by the Referee, it means no goal or violation so play shall continue.
2. When used by the Linesmen, it means there is no icing, off-side, hand pass or high sticking violation.

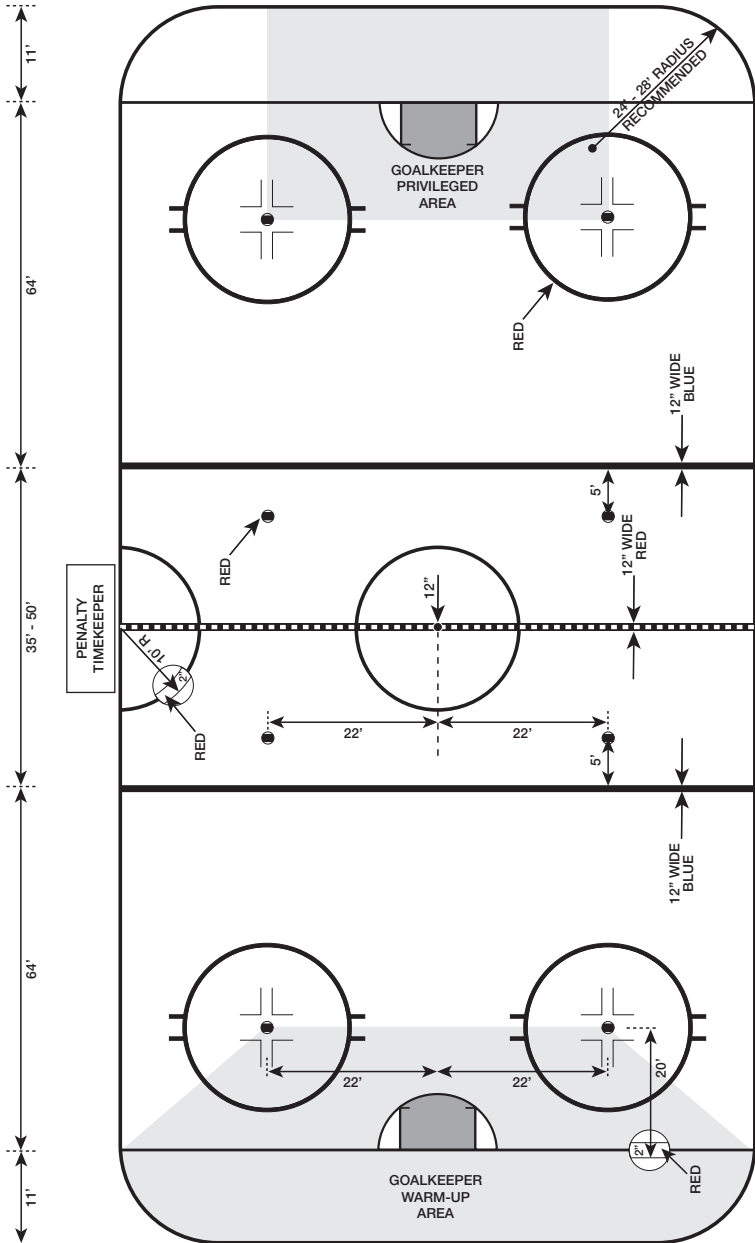


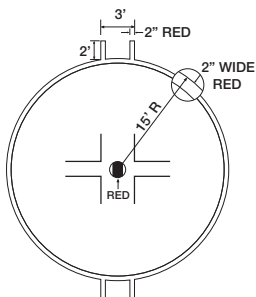
**APPENDIX IV**  
**OFFICIAL RINK**  
**DIAGRAMS**



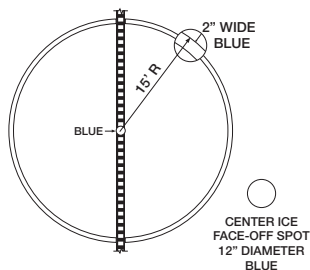


RECOMMENDED  
85' - 100'

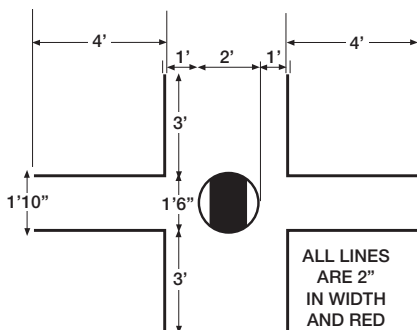




**END ZONE FACE-OFF SPOT AND CIRCLE DETAIL**

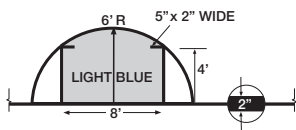


**CENTER ICE FACE-OFF SPOT AND CIRCLE DETAIL**

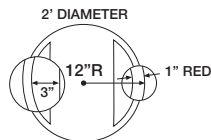


**FACE-OFF CONFIGURATION**

ALL LINES ARE 2"  
IN WIDTH AND RED



**GOAL CREASE DETAIL**



**END ZONE AND NEUTRAL ZONE  
FACE-OFF SPOTS**

**APPENDIX V**  
**STANDARD OF PLAY**  
**CASEBOOK**





**The following interpretations are specific to USA Hockey's Standard of Play Initiative. Many of these situations may apply to more than one rule reference. Please refer to the standard of play language found in the Preface and those rules pertaining to the standard of play for specific rules language and additional information.**

### → Situation 1

The first principle of the Standard of Play is “the use of the stick will be limited to only playing the puck.” Does this mean that anytime a player uses his stick and makes contact with the opponent, a penalty must be called?

No. Even though the principle encourages players to only play the puck with the stick, an actual rule must still have been violated in order for a penalty to be assessed. There may be instances where the stick may contact the opponent's body or stick, but no competitive advantage had been gained by an act that is in violation of the rules.

It is important to recognize that, in essence, stick to lower stick contact that prevents the opponent from playing the puck could be considered to be making an effort to play the puck.

### → Situation 2

Can a player lift the opponent's stick without being penalized under the Standard of Play guidelines?

Yes. A player may lift the opponent's stick at anytime provided they do not impede their progress. This is most often done in an effort to prevent the opponent from playing the puck and is considered a good defensive play.

**→ Situation 3**

Just prior to the puck being received by an attacking player, the defensive player chops down on top of the stick and prevents him from being able to play the puck. Should this be penalized under the Standard of Play guidelines? Does it make any difference as to the angle of the stick blade when done?

The use of the stick to check an opponent's stick, or press the opponent's stick to the ice or the boards, is a good defensive play as long as it is done on the lower portion of the stick shaft and the intended purpose is to dislodge the puck or prevent the opponent from playing the puck. The angle of the stick blade (inverted or parallel to the ice), would not make a difference in this determination.

However, anytime this action is done higher up on the stick or clearly impedes the opponent with no reasonable effort to play the puck, a penalty for slashing, holding or hooking should be called.

---

**→ Situation 4**

What degree of force is necessary for either a hooking or slashing penalty to be assessed under the Standard of Play guidelines?

For hooking, any use of the stick against an opponent's body that allows the player to gain a positional advantage should be penalized. Examples include a tug or pull that allows space between the opponents to be diminished, impeding the opponent's progress or causes a loss of balance or a subtle push or tug on the hand/arm that prevents the opponent from being able to pass or shoot the puck with normal force.

In the case of slashing, any slashing motion that makes contact with the hands, arms or body of the opponent must be penalized. In addition, any hard slashes to the upper portion of the stick (just below the hands of the opponent), with no attempt to legally play the puck, shall also be penalized.

**→ Situation 5**

I am a defensive player that is responsible for patrolling the front of my goal. What am I allowed and not allowed to do in playing the attacking player before the puck arrives?

Establishing a favorable body position is probably the key and this may involve considerable body contact, especially when the attacking player may be trying to establish the same advantageous body position. To do so, you can use size, strength and balance to lean on your opponent and put yourself in better position. The stick, or forearm, can also be used to steer the opponent as long as the arm(s) are not extended. Finally, a stick lift or stick press is a good defensive play when the puck is in the vicinity.

What you can't do is fairly clear. You cannot use a free arm to grab onto or impede your opponent. You cannot use the stick or arm(s) in an extended manner that "pushes off" the opponent and creates space between you. And, you cannot place your stick in an area that impedes the opponent's ability to move in a desired direction.

**→ Situation 6**

Is it acceptable for a player to take one hand off of the stick and use it as a shield to maintain space between the two players?

A player who is in possession and control of the puck is allowed to use a free hand to maintain body position that they legally established. An example of this is when two players are skating shoulder to shoulder, or the defensive player is slightly behind, and the player with the puck uses the free arm to fend off the opponent and maintain their body position. Naturally, though, if they grab the stick, sweater or arm of the opponent, or use the free arm to push off and create space, a penalty should be assessed.

**→ Situation 7**

Is it acceptable for a player to take one hand off the stick and use it to steer an opponent when battling in the corner or in front of the goal?

In regards to two players battling in the corner or in front of the goal, it is unrealistic to expect both players to keep both hands on the stick at all times. In this instance, it is legal for a player to take one hand off the stick when reaching for the puck and using the free arm to steer the opponent or maintain position. Where the line is crossed and the player should be penalized is when the free arm is used to impede the opponent, pushes off with enough force to knock the opponent off of the puck or create space. This is a situation where officials need to use good judgment and allow battling for the puck or body position to take place and be able to recognize when a player has gained a competitive advantage with an illegal tactic and penalize accordingly.

---

**→ Situation 8**

Is there a difference in what is allowed in a checking classification versus a non-checking classification when it comes to battling for the puck and body position?

Body contact and body position are very important parts of both the checking and non-check games. Although there will be some differences in the amount of force that may be allowed at the younger or lower levels (please see the Body Contact – Playing Within the Rules video), the same principle of establishing body position exists in both and the methods used are the same. The only exception is the use of a body check, which is illegal in the non-checking classifications.

**→ Situation 9**

Is a different standard applied to a player who is back checking the puck carrier versus a non-puck carrier?

Essentially, no. Anytime a player gains a competitive advantage by the use of an illegal tactic, it should be penalized. This is regardless as to whether the action takes place on the puck carrier or non-puck carrier. It also emphasizes the importance of officials maintaining their maximum field of vision at all times by being in the proper position.

**→ Situation 10**

The attacking player chips the puck off the boards and is going to go around the defensive player. At what point can a body check, or any contact, still be legally initiated by the defending player?

The general rule of thumb is that a body check can be finished as long as the defending player is an arms length plus stick length away from the opponent when the puck was dumped and the check that is delivered is unavoidable – meaning it was in the process of being delivered when control of the puck was relinquished. It is not acceptable to skate one or two more strides after the puck is gone and then decide to deliver the check.

Contact may also be legal provided the defending player maintains their normal skating lane and reasonable foot speed. In this instance, the obligation is on the attacking player to go around the defender. However, if the defender initiates contact by stopping or changing their skating lane to cut off the opponent, an interference penalty would be the correct call.

**→ Situation 11**

What are some guidelines to be considered when assessing interference penalties to the centers during face-offs?

Whereas any illegal tactic must be penalized, we also must recognize that two players may be battling for the puck and the normal body position principles must be applied. As long as the two centers are attempting to play the puck, have established body position and are simply trying to maintain it, the battle should be allowed to continue. However, if one center intentionally plays the body of the opponent with no effort to play the puck, or impedes the opponent in any way other than maintaining proper body position, a penalty for interference would be warranted.

---

**→ Situation 12**

What are some guidelines to be considered when assessing interference penalties to players other than the centers during face-offs?

Any time the stick or arm is used to impede the opponent, it is pretty obvious that a penalty should be called. Where the inconsistency comes into play is the use of the body and not properly applying the body position principles. Once a player, defending or attacking, has established their space and is simply trying to occupy that space, they are doing so legally and the onus is on the opponent to try to move around them. Interference occurs when one of the players changes their established space for the sole purpose of impeding the opponent by setting a pick or a block that prevents the opponent from continuing on in their established skating lane or prevents them from occupying the space they are entitled to.

**→ Situation 13**

My local assignor supported the Standard of Play Initiative early in the season, but as the season has gone on has suggested that we should back off some and let the players decide the game. This was especially true during league play and playoffs. What is USA Hockey's philosophy on this?

First off, let's make it perfectly clear that USA Hockey's objective here is not to call penalties – it is to encourage players to play within the rules and not allow lesser skilled players/teams to gain a competitive advantage using illegal tactics. All officials should only call those infractions that are clear violations of the actual rules.

With that being said, the same standard and expectations of the players must be maintained throughout the course of the season. In many cases, the players do adjust to the expectations and fewer infractions are committed. But league or playoff games should not make any difference as to the penalty standard and players must be held accountable for playing within the rules and more skilled players allowed to play the game without unfair tactics used by the opponent.

The role of the official is to enforce the rules of the game and USA Hockey expects all officials to do the best they can every time they step on the ice, and regardless of the circumstances involved in the game.



**APPENDIX VI**  
**GLOSSARY**





## Age Classifications

The following Youth and Girls/Women age classifications have been established for all teams registered with USA Hockey.

Youth Teams: 8 & under (Mite), 10 & under (Squirt), 12 & under (Pee Wee), 14 & under (Bantam), 16 & under (Midget) and 18 & under (Midget).

Girls/Women Teams: 8 & under, 10 & under, 12 & under, 14 & under, 16 & under and 19 & under.

*(Note 1) Girls/Women playing on a Youth team must conform to the Youth age classification.*

*(Note 2) High School age classification is governed under the same playing rules as the Youth 18 & under (Midget) age classification.*

*(Note 3) Adult classifications shall include Adult non-check, Adult U.S., Adult Elite and Adult Women, and shall be governed by these rules, except where otherwise noted.*

## Altercation

Any physical interaction between two or more opposing players resulting in a penalty or penalties being assessed.

## Body Checking

A legal body check is one in which a player checks an opponent who is in possession of the puck, by using his hip or body from the front, diagonally from the front or straight from the side, and does not take more than two fast steps in executing the check.

Legitimate body checking must be done only with the trunk of the body (hips and shoulders) and must be above the opponent's knees and below the neck. If body checking is unnecessarily rough, it must be penalized.

## Body Contact

Contact that occurs between opponents during the normal process of playing the puck, provided there has been no overt hip, shoulder or arm contact to physically force the opponent off of the puck.

## Break-away

A condition whereby a player is in control of the puck with no opposition between the player and the opposing goal, with a reasonable scoring opportunity.

### **Butt-Ending**

The condition whereby a player uses the shaft of the stick above the upper hand to jab or attempt to jab an opposing player.

### **Coach**

A Coach is a person primarily responsible for directing and guiding the play of his team. Along with the Manager, he is responsible for the conduct of his team's players before, during and after a game.

### **Coincident Penalty**

A penalty of equal type (e.g., minor or major) assessed during the same stoppage of play, and for which neither team is reduced in on-ice numerical strength. A coincident penalty never causes either team to be "shorthanded" for purposes of penalty termination if a goal is scored.

### **Creases**

*Goalkeeper's-Areas* marked on the ice in front of each goal designed to protect the goalkeepers from interference by attacking players.

*Referee's-Area* marked on the ice in front of the Penalty Timekeeper's seat for the use of the Referee.

### **Cross-Checking**

When a player, holding his stick with both hands, checks an opponent by using the shaft of the stick with no part of the stick on the ice.

### **Delayed Off-Side**

A situation where an attacking player has preceded the puck across the attacking blue line, but the defending team has gained possession of the puck and is in a position to bring the puck out of their Defending Zone without any delay or contact with an attacking player.

### **Deflecting the Puck**

The action of the puck contacting any person or object, causing it to change direction.

### **Directing the Puck**

The act of intentionally moving or positioning the body, skate or stick so as to change the course of the puck in a desired direction.

**Face-Off**

The action of an official dropping the puck between the sticks of two opposing players to start play. A face-off begins when the Referee indicates its location and the officials take their appropriate positions, and ends when the puck has been legally dropped.

**Fisticuffs**

The actual throwing of a punch (closed fist) by a player that makes contact with an opponent.

**Game Suspension(s)**

When a player, Coach or Manager receives a game suspension(s), he shall not be eligible to participate in the next game(s) that was already on the schedule of his team at the time of the incident.

**Goalkeeper**

A goalkeeper is a person designated as such by a team who is permitted special equipment and privileges to prevent the puck from entering the goal.

**Head-Butting**

The physical use of one's head in the course of delivering a body-check (head first) in the chest, head, neck or back area or the physical use of the head to strike an opponent.

**Head Contact**

The action of a player intentionally or recklessly contacting a player in the head, including with the stick or by an illegal body check (as defined in this Glossary).

**HECC**

The Hockey Equipment Certification Council is an independent organization responsible for the development, evaluation and testing of performance standards for protective ice hockey equipment. To date, there are standards for facemasks, helmets and skate blades.

**Heel of the Stick**

The point where the shaft of the stick and the bottom of the blade meet.

### **Hooking**

The action of applying the blade of the stick to any part of an opponent's body or stick and impeding his progress by a pulling or tugging motion with the stick.

### **Injury Potential Penalties**

Injury Potential Penalties include Butt-Ending, Checking from Behind, Head-Butting, Spearing, Board Checking, Charging, Cross Checking, Elbowing/Kneeing, High Sticking, Holding the Facemask, Slashing and Roughing. The Linesman may report such infractions to the Referee, following the next stoppage of play, that have occurred behind the play and were unobserved by the Referee.

### **Last Play Face-Off**

The location at which the puck was last legally played by a player or goalkeeper immediately prior to a stoppage of play.

### **Off-Ice (Minor) Official**

Officials appointed to assist in the conduct of the game including the Official Scorer, Game Timekeeper, Penalty Timekeeper and the two Goal Judges. The Referee has general supervision of the game and full control of all game officials, and in case of any dispute the Referee's decision shall be final.

### **Penalty**

A penalty is the result of an infraction of the rules by a player or team official. It usually involves the removal from the game of the offending player or team official for a specified period of time. In some cases the penalty may be the awarding of a penalty shot on goal or the actual awarding of a goal.

### **Player**

Member of a team physically participating in a game. The goalkeeper is considered a player except where special rules specify otherwise.

### **Possession of the Puck**

The last player or goalkeeper to make contact with the puck. This includes a puck that is deflected off a player or any part of his equipment.

**Possession and Control of the Puck**

The last player or goalkeeper to make contact with the puck and who is also propelling the puck in a desired direction.

**Proper Authorities (Proper Disciplinary Authority)**

The governing body of the team or teams involved, as determined by the Affiliate, except:

- (1) In USA Hockey Tournaments and Play-Offs, the body shall be the Discipline Committee of the Tournament or Play-Off.
- (2) In matters relating to assault of official, the body shall be the Affiliate Association of that team.

**Protective Equipment**

Equipment worn by players for the sole purpose of protection from injury. Recommended equipment should be commercially manufactured.

**Shorthanded**

Shorthanded means that a team is below the numerical strength of its opponents on the ice. When a goal is scored against a shorthanded team, the minor or bench minor penalty that terminates automatically is the first such non-coincident penalty (the minor or bench minor penalty then being served with the least amount of time remaining). Thus, if an equal number of players from each team is serving a penalty(s) (minor, bench minor, major or match only), neither team is "shorthanded."

**Slashing**

The action of striking or attempting to strike an opponent with a stick or of swinging a stick at an opponent with no contact being made. Tapping an opponent's stick is not considered slashing.

**Spearing**

The action of poking or attempting to poke an opponent with the tip of the blade of the stick while holding the stick with one or both hands.

### **Substitute Goalkeeper**

A designated goalkeeper on the Official Scoresheet who is not then participating in the game.

### **Team Official**

A Team Official is any person on the players' bench who is not on the game scoresheet as an eligible player or goalkeeper. All such persons must be registered in the current season as a Coach with USA Hockey, and must have attained the appropriate certification level as required by the District and/or Affiliate. One such person must be designated as the Head Coach. A player or goalkeeper on the roster who is unable to play, other than through suspension, may be on the players' bench without being considered a Team Official if he is wearing the team jersey and all required head and face protective equipment.

### **Temporary Goalkeeper**

A player not designated as a goalkeeper on the Official Scoresheet who assumes that position when no designated goalkeeper is able to participate in the game. He is governed by goalkeeper privileges and limitations and must return as a "player" when a designated goalkeeper becomes available to participate in the game.

### **Time-Out (Curfew definition)**

A curfew game is one in which the game must end by a certain time of day. Conversely, a non-curfew game is one that will be played to clock time conclusion, regardless of how long the game lasts.

**APPENDIX VII**  
**RULE REFERENCES**





Abuse of Officials . . . . .	Section 6 . . . .	Rule 601
Adjustment to Clothing and Equipment . . . . .	Section 6 . . . .	Rule 602
Appointment of Officials . . . . .	Section 5 . . . .	Rule 501
Attempt to Injure . . . . .	Section 6 . . . .	Rule 603
Awarded Goals . . . . .	Section 6 . . . .	Rule 609
. . . . .		Rule 612
. . . . .		Rule 615
. . . . .		Rule 636
. . . . .		Rule 639
Bench Minor Penalties . . . . .	Section 4 . . . .	Rule 402
Board-Checking . . . . .	Section 6 . . . .	Rule 604
Broken Stick . . . . .	Section 6 . . . .	Rule 605
Butt-Ending . . . . .	Section 6 . . . .	Rule 608
Calling of Penalties . . . . .	Section 4 . . . .	Rule 409
Captain of Team . . . . .	Section 2 . . . .	Rule 202
Center Ice Spot and Circle . . . . .	Section 1 . . . .	Rule 106
Change of Players . . . . .	Section 2 . . . .	Rule 205
Charging . . . . .	Section 6 . . . .	Rule 606
Checking from Behind . . . . .	Section 6 . . . .	Rule 607
Clipping . . . . .	Section 6 . . . .	Rule 639
Composition of Team . . . . .	Section 2 . . . .	Rule 201
Cross-Checking . . . . .	Section 6 . . . .	Rule 608
Dangerous Equipment . . . . .	Section 3 . . . .	Rule 305
Delayed Penalties . . . . .	Section 4 . . . .	Rule 408
Deliberate Injury to Opponents . . . . .	Section 6 . . . .	Rule 603
Delaying the Game . . . . .	Section 6 . . . .	Rule 609
Dimensions of Rink . . . . .	Section 1 . . . .	Rule 102
Division of Ice Surface . . . . .	Section 1 . . . .	Rule 105
Elbowing . . . . .	Section 6 . . . .	Rule 610
Electronic Devices . . . . .	Section 3 . . . .	Rule 308
End Zone Face-Off Spots and Circles . . . . .	Section 1 . . . .	Rule 108
Equipment Measurement . . . . .	Section 3 . . . .	Rule 307
Facemasks . . . . .	Section 3 . . . .	Rules 303–304
Face-Offs . . . . .	Section 6 . . . .	Rule 611
Face-Off Spots in Neutral Zone . . . . .	Section 1 . . . .	Rule 107
Falling on Puck . . . . .	Section 6 . . . .	Rule 612
Fisticuffs . . . . .	Section 6 . . . .	Rule 613
Game Timekeeper . . . . .	Section 5 . . . .	Rule 507
Goals and Assists . . . . .	Section 6 . . . .	Rule 614
Goal Crease . . . . .	Section 1 . . . .	Rule 104

Goal Judge . . . . .	Section 5 . . . .	Rule 504
Goalkeeper's Equipment . . . . .	Section 3 . . . .	Rule 303
Goalkeeper's Penalties . . . . .	Section 4 . . . .	Rule 407
Goal Posts and Nets . . . . .	Section 1 . . . .	Rule 103
Handling Puck with Hands . . . . .	Section 6 . . . .	Rule 615
Head-Butting . . . . .	Section 6 . . . .	Rule 616
Head Contact . . . . .	Section 6 . . . .	Rule 616
High Sticks . . . . .	Section 6 . . . .	Rule 617
Holding an Opponent . . . . .	Section 6 . . . .	Rule 618
Hooking . . . . .	Section 6 . . . .	Rule 619
Ice Cleaning . . . . .	Section 6 . . . .	Rules 635/637
Icing the Puck . . . . .	Section 6 . . . .	Rule 620
Illegal Puck . . . . .	Section 6 . . . .	Rule 630
Injured Players . . . . .	Section 2 . . . .	Rule 206
Interference . . . . .	Section 6 . . . .	Rule 621
Interference by Spectators . . . . .	Section 6 . . . .	Rule 622
Kicking Player . . . . .	Section 6 . . . .	Rule 623
Kicking Puck . . . . .	Section 6 . . . .	Rule 624
Kneeing . . . . .	Section 6 . . . .	Rule 610
Leaving Players' Bench or Penalty Bench . . . . .	Section 6 . . . .	Rule 625
Leg Checking . . . . .	Section 6 . . . .	Rule 639
Linesman . . . . .	Section 5 . . . .	Rule 503
Major Penalties . . . . .	Section 4 . . . .	Rule 403
Match Penalties . . . . .	Section 4 . . . .	Rule 405
Minor Penalties . . . . .	Section 4 . . . .	Rule 402
Misconduct Penalties . . . . .	Section 4 . . . .	Rule 404
Obscene Language or Gestures . . . . .	Section 6 . . . .	Rule 601
Official Scorer . . . . .	Section 5 . . . .	Rule 506
Off-Sides . . . . .	Section 6 . . . .	Rule 626
Passes . . . . .	Section 6 . . . .	Rule 627
Penalties . . . . .	Section 4 . . . .	Rule 401
Penalties-Automatic Expiry . . . . .	Section 4 . . . .	Rule 402
Penalty Bench . . . . .	Section 1 . . . .	Rule 110
Penalty Shot . . . . .	Section 4 . . . .	Rule 406
Penalty Timekeeper . . . . .	Section 5 . . . .	Rule 505
Players' Bench . . . . .	Section 1 . . . .	Rule 109
Players in Uniform . . . . .	Section 2 . . . .	Rule 203
Playing Line-up . . . . .	Section 2 . . . .	Rule 204
Preceding Puck into Attacking Zone . . . . .	Section 6 . . . .	Rule 626
Profane Language . . . . .	Section 6 . . . .	Rule 601

Proper Authorities . . . . .	Section 5 . . . .	Rule 508
Protective Equipment . . . . .	Section 3 . . . .	Rule 304
Puck . . . . .	Section 3 . . . .	Rule 306
Puck Out of Bounds or Unplayable . . . . .	Section 6 . . . .	Rule 628
Puck Must Be Kept in Motion . . . . .	Section 6 . . . .	Rule 629
Puck Out of Sight . . . . .	Section 6 . . . .	Rule 630
Puck Striking Official . . . . .	Section 6 . . . .	Rule 631
Referee . . . . .	Section 5 . . . .	Rule 502
Refusing to Start Play . . . . .	Section 6 . . . .	Rule 632
Rink . . . . .	Section 1 . . . .	Rule 101
Signal and Timing Device . . . . .	Section 1 . . . .	Rule 111
Skates . . . . .	Section 3 . . . .	Rule 302
Slashing . . . . .	Section 6 . . . .	Rule 633
Spearing . . . . .	Section 6 . . . .	Rule 634
Start of Game and Periods . . . . .	Section 6 . . . .	Rule 635
Starting Lineup . . . . .	Section 2 . . . .	Rule 204
Sticks . . . . .	Section 3 . . . .	Rule 301
Supplementary Discipline . . . . .	Section 4 . . . .	Rule 410
Throwing Stick . . . . .	Section 6 . . . .	Rule 636
Tied Games . . . . .	Section 6 . . . .	Rule 638
Time of Match . . . . .	Section 6 . . . .	Rule 637
Time-Outs . . . . .	Section 6 . . . .	Rule 637
Tripping . . . . .	Section 6 . . . .	Rule 639
Unnecessary Roughness . . . . .	Section 6 . . . .	Rule 640
Unsportsmanlike Conduct . . . . .	Section 6 . . . .	Rule 601

















# The Ultimate Authority

The *Official Rules and Casebook of Ice Hockey* is the essential resource for players, coaches, referees, parents and fans.

Included are USA Hockey's official playing rules and interpretations, theoretical situations, referee signals and detailed rink diagrams.

This book is the singular source for the rules of the game.

